

SAAB 900

1979 – 1986



Quick Reference Parts Catalogue

SAAB

Knight Auto Sales Co., Inc.
Parts Hotline: 942-3046

Edition 3
April 1987

900 PRODUCT KNOWLEDGE

YEARLY COMPONENT SUMMARY

1979 - 1986

GROUP	1979 MAJOR FEATURES NEW COMPONENTS	MODEL					
		900 GL 3 CK	900 EMS 3 CK	900 GLE 5 CK	900 GLE 5 CK/SR	900 Turbo 3 CK	900 Turbo 5 CK
2	2.0L "B" Engine CIS Fuel Injection Turbo Charger Lambda/3-Way Catalyst EGR Pulse-Air System 8 Vane "Turbo" Water Pump New Radiator 2 Cooling Fans with AC New Motor Mounts Over Pressure Ignition Retard	X X UC UF UF X X Opt. X	X X UC UF UF X X Opt. X	X X UC UF UF X X Opt. X	X X UC UF UF X X X X	X X X X X X Opt. X X	X X X X X X X X
3	Maintenance-Free Battery 70 Amp Motorola Alternator Rectangular Headlights New Instruments Radio Installation Location New Relay/Fuse Box Bosch Breakerless Ignition Flush Front Directionals	X X X X X X X X	X X X X X X X X	X X X X X X X X	X X X X X X X X	X X X X X X X X	X X X X X X X X
4	4-Speed Manual BW 489 Automatic Heavy Duty Clutch	X Opt.	X Opt.	X Opt.	X Opt.	X X	X X
5	4-Wheel Disc Brakes "Hybrid" Front Pads	X X	X X	X X	X X	X X	X X
6	New Rack and Pinion Power Steering Collapsible Steering Column	X With Auto X	X With Auto X	X X	X X	X X	X X
7	Steel Wheels Alloy EMS Style Alloy Inca Alloy TRX Tire 165 SR 15 Tire 175/70 X 15 Tire 195/60 X 15 Tire 180/65 X 390 New Rear Axle Suspension Stops in Shocks Mini-Spare	5 X 15 X X Mid-year	5 X 15 X X Mid-year	5 X 15 X X Mid-year	5 X 15 X X Mid-year	5½ X 15 X X Mid-year	135 X 390 X X Mid-year
8	Wheelbase 2" More than 99 Increased Windshield Size New Front Sheet Metal New Larger Bumpers New Dash Panel Knee Protection Pad Integrated Heating/AC System Factory AC-VIR Type Rear Spoiler Electric Mirrors	X X X X X X X	X X X X X X X	X X X X X X X	X X X X X X X	X X X X X X X	X X X X X X X
9	AC - VIR Type Cruise, Radio	Dir. Opt. Dir. Opt.	Dir. Opt. Dir. Opt.	Dir. Opt. Dir. Opt.	Dir. Opt.	Dir. Opt. Dir. Opt.	Dir. Opt.

<p>SAAB 900</p> <p>M 1979 - 1986</p>	<p>VEHICLE SPECIFICATIONS</p> <ul style="list-style-type: none"> ● VIN NUMBERS ● YEARLY PRODUCT SUMMARY <p>FAST MOVING PARTS LIST</p> <ul style="list-style-type: none"> ● SERVICE PARTS <p style="text-align: right;">1</p>
<p>FAST MOVING PARTS QUICK REFERENCE CATALOG</p>	<p>ENGINE</p> <p style="text-align: right;">2</p>
	<p>ELECTRICAL SYSTEM</p> <p style="text-align: right;">3</p>
	<p>TRANSMISSION</p> <p style="text-align: right;">4</p>
	<p>BRAKES</p> <p style="text-align: right;">5</p>
	<p>FRONT ASSEMBLY, STEERING</p> <p style="text-align: right;">6</p>
	<p>SUSPENSION, WHEELS</p> <p style="text-align: right;">7</p>
	<p>BODY</p> <p style="text-align: right;">8</p>

Saab has made every effort to ensure that the information in this book is accurate. However, in case of a question, or for more complete clarification of footnotes, please refer to the 900 parts microfiche.

TABLE OF CONTENTS

INTRODUCTION

Page

- Chassis Numbers 1-1
- Engine Numbers 1-3
- Transmission Types 1-5
- 900 Product Knowledge 1-7
- Maintenance Parts 1-15
- Fiche Abbreviations 1-17
- Catalog Corrections 1-18

GROUP 2 - ENGINE

- Cylinder Head 2-1
- Cylinder Block 2-4
- Bearings, Piston Rings, Timing Chain. 2-6
- Lubrication System 2-9
- Fuel System, Air Filters 2-11
- Intake and Exhaust Manifolds. 2-16
- Exhaust Systems 2-18
- Cooling System 2-21
- Turbocharger 2-25

GROUP 3 - ELECTRICAL

- Battery, Alternator, Starter 3-1
- Ignition 3-2
- Lighting. 3-5
- Wipers and Washers 3-7
- Switches 3-8
- Fuse Panel/Relays 3-10
- Instruments 3-13

TABLE OF CONTENTS

GROUP 4 - TRANSMISSION

- Clutch 4-1
- Gaskets 4-2
- Drive Shafts 4-5

GROUP 5 - BRAKES

- Front Brakes 5-1
- Rear Brakes 5-2
- Hydraulics and Cables 5-3

GROUP 6 - FRONT SUSPENSION/STEERING

- Suspension 6-1
- Steering 6-2

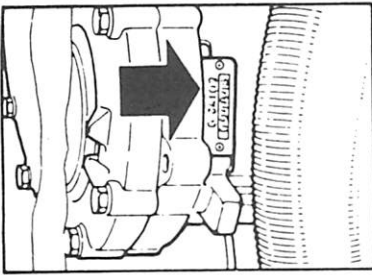
GROUP 7 - WHEELS AND SUSPENSION

- Wheels 7-1
- Suspension 7-2

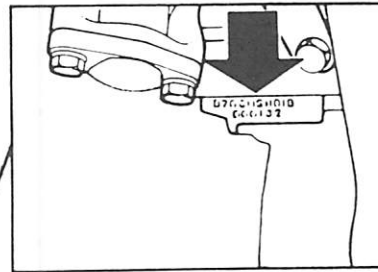
GROUP 8 - BODY

- Sheet Metal 8-1
- Glass and Glass Trim 8-7
- Door Glass Mouldings 8-12
- Bumpers, Grills, Spoilers 8-15
- Mirrors, Fender Edge Mouldings. 8-16
- Locks 8-17
- Dash Panel 8-18
- Heating and Ventilation 8-19
- Air Conditioning 8-20

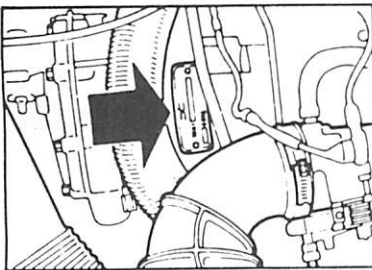
IDENTIFICATION NUMBERS



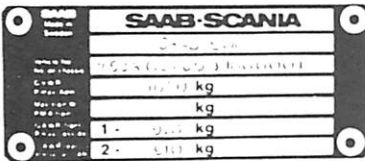
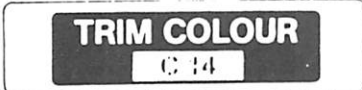
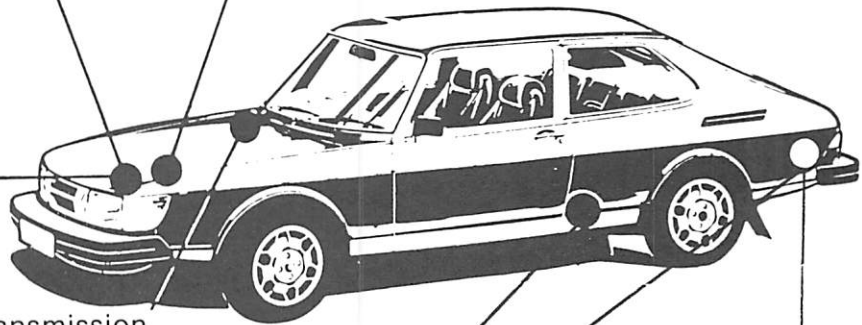
- Gearbox number, manual transmission



- Engine number



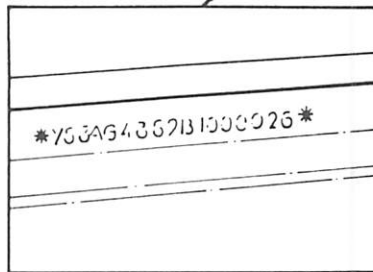
- Gearbox number, automatic transmission



- Car colour code
-1985

- Trim colour code
-1985

- Chassis number



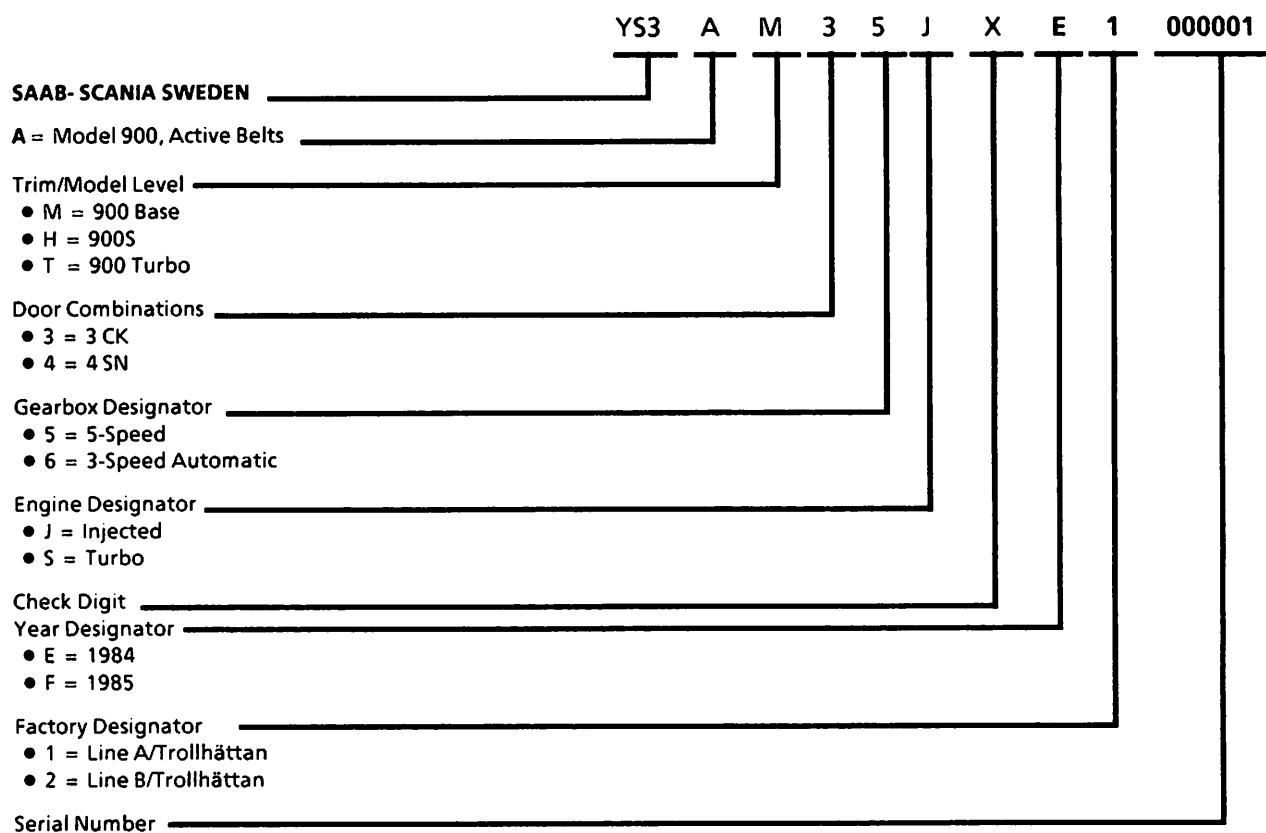
- Chassis number punched in car body



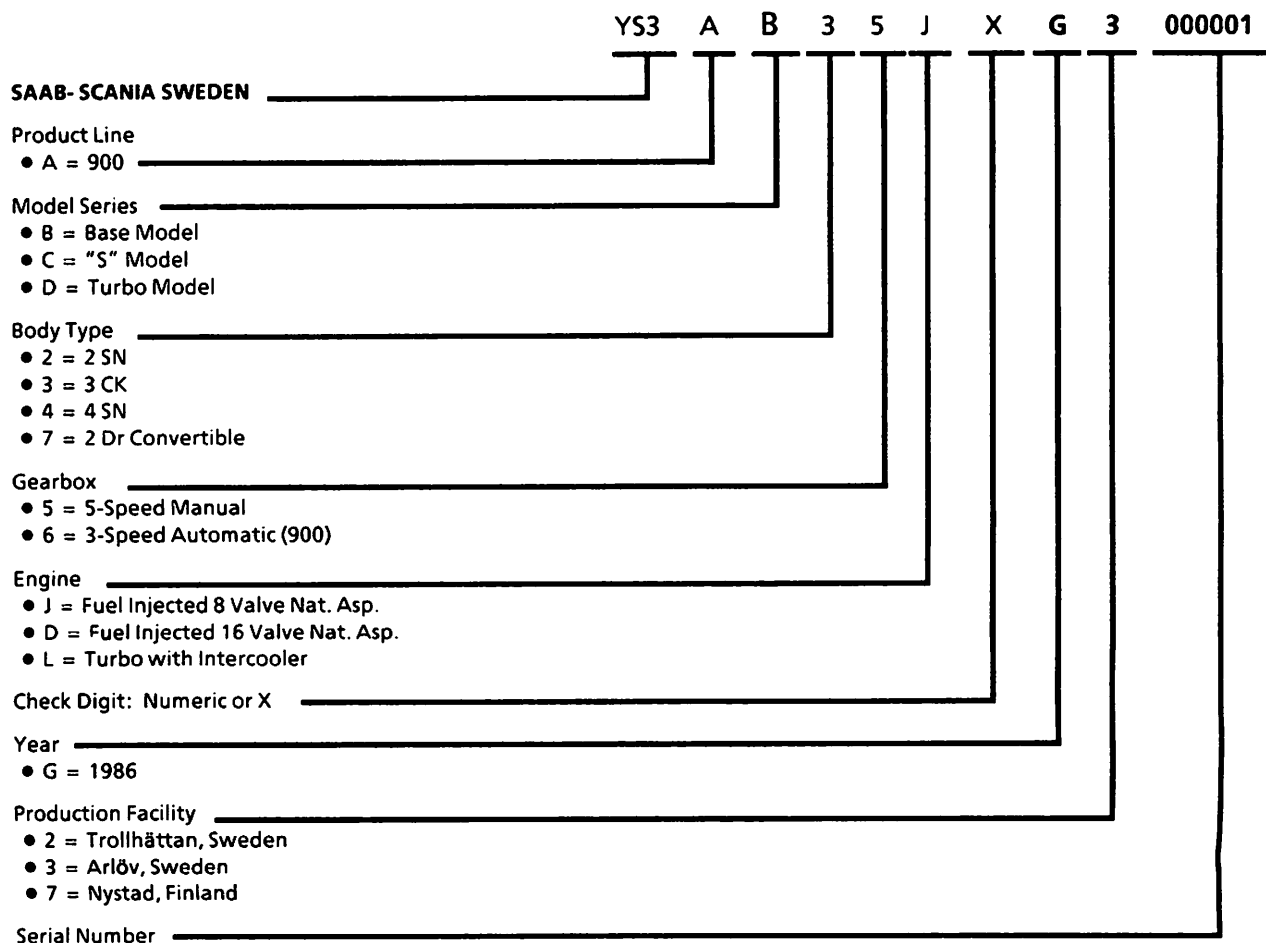
- Car colour code
1986-

- Trim colour code
1986-

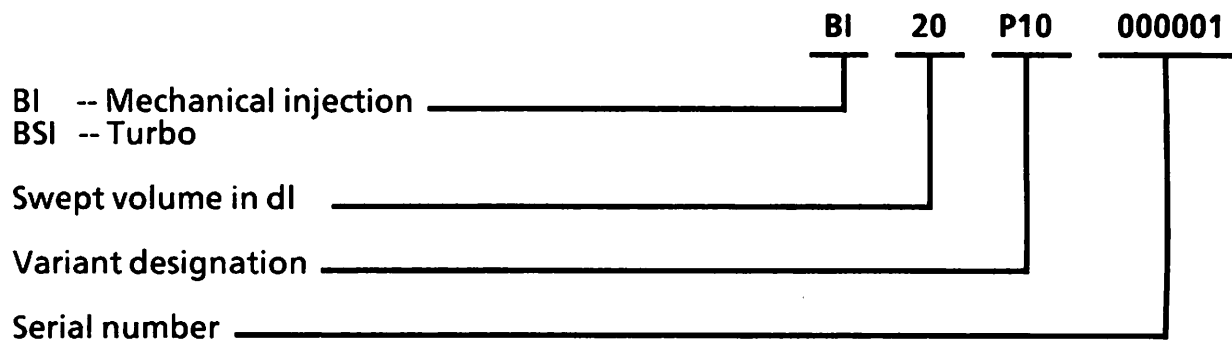
CHASSIS NUMBERS 1984 - 85



1986



ENGINE NUMBERS 1979 - 1980



Engine number variants Saab 900 model 1979

BI 20 P10
BI 20 P11
BI 20 P12
BI 20 P13
BSI 20 P02

Gearbox Type

--Automatic transmission
--Manual transmission
--Automatic transmission
--Manual transmission
--Manual transmission

Market (exhaust emission control degree)

--USA Federal (UF)
--USA California (UC)
--USA California (UC)
--USA Federal (UF)
--USA, Canada

Engine number variants Saab 900 model 1980

BI 20 P11
BI 20 P12
BSI 20 P02

Gearbox Type

--Manual transmission
--Automatic transmission
--Manual transmission

Market (exhaust emission control degree)

--USA
--USA
--USA, Canada

ENGINE NUMBERS 1981 - 1983

B 20 S M UT 01 D 000001

B = Gasoline engine

Cylinder volume

- Swept volume in dl

Design

- I = Injection engine
- S = Turbo

Transmission adaption

- A = Automatic transmission
- M = Manual transmission

Exhaust emission control level

- UC = USA California
- UF = USA Federal
- UT = USA (Total Market)

Development variant

Year model

- B = 1981
- C = 1982
- D = 1983

Serial number

1984-

B 20 1 2 I 0 1 M E 000001

B = Gasoline engine

Swept volume in dl

Cylinder head

- 1 = Single Cam
- 2 = Double Cam

Version adaption

- 2 = Saab 900

Design

- I = Fuel injection
- S = Fuel injection and turbo charger
- L = Fuel injection, turbo, intercooler

Development variant

- 0 = Without knock sensor
- 1 = With knock sensor

Emission control level

Transmission adaptation

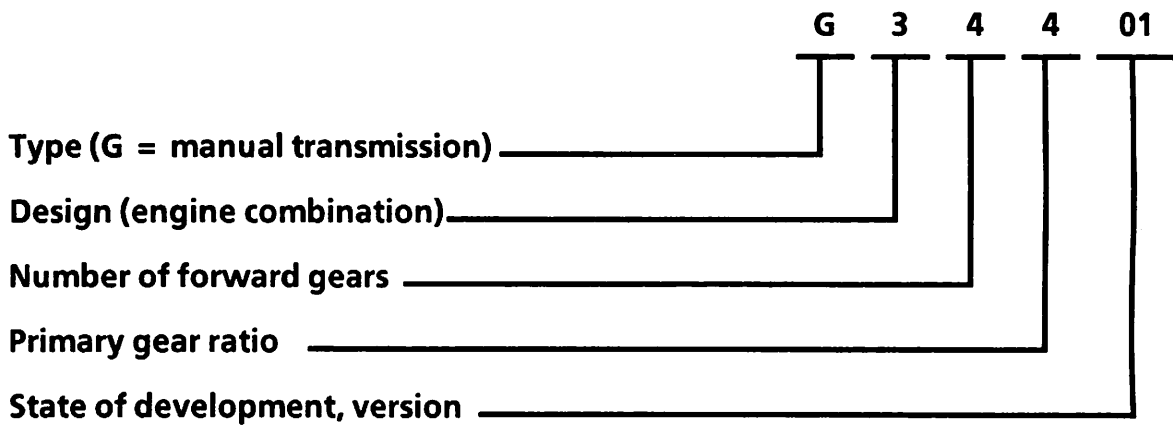
- A = Automatic
- M = Manual

Model year designation

- E = 1984
- F = 1985
- G = 1986

Serial number

MANUAL TRANSMISSIONS, type designations



<u>Year & Model</u>	<u>Gearbox</u>	<u>Type</u>
1979 - 1980	Except Turbo	G344 02
1979	Turbo	G445 02
1980	Turbo	G457 02
1980	All	G457 02
1981	All	G457 02
1982-82½	All	G456 06
1983	Turbo	G456 06
1984	Turbo	G456 06
1986-86½-16V	N/A	G456 06
1986½-16V	N/A	G456 10
1983	N/A	G457 06
1984	N/A	G457 06
1985-86½ 8V	N/A	G457 06
1986½-8V	N/A	G457 10
1985	Turbo	G456 08
1986-86½	Turbo	G556 00
1986½	Turbo	G556 02

AUTOMATIC TRANSMISSION, type designation

<u>Borg-Warner Type</u>	<u>Year</u>	<u>Model</u>
BW 489	1979	Non-Turbo
BW 489	1980*	
BW 002	81-82	Non-Turbo
BW 002x	82	Non-Turbo
BW 005	83	Non-Turbo
BW 006	84	Non-Turbo
BW 001	81-82	Turbo (non APC)
BW 003	82½-84	APC Turbo
BW 012	85-85½	Non Turbo
BW 008	85½	Non Turbo
BW 009	85	Turbo
BW 008**	86	Non Turbo
BW 009**	86	Turbo

Note: *A very limited number of late 1980 cars were produced with Borg-Warner type 37 transmissions type BW 002 X. If you should encounter one of these units, refer to 900 81- microfiche for spare parts.

**BW 008 and BW 009 transmissions used in 1986 are fitted with larger drivers than the 1985 versions. Homologation numbers and part numbers as listed in the microfiche reflect this difference.

GROUP	1980 MAJOR FEATURES NEW COMPONENTS	MODEL					
		900 GLi 3 CK	900 EMS 3 CK	900 GLE 5 CK	900 GLE Touring 5 CK	900 Turbo 3 CK	900 Turbo 5 CK
2	2.0L "B" Engine CIS Fuel Injection Lambda/3-Way Catalyst Turbo Charger Compression Ratio 9.25:1 Compression Ratio 7.2:1 Plastic Fuel Tank Braided Metal Fuel Lines Larger Fuel Filter New Lambda Control Unit	X X X X X X X X X X	X X X X X X X X X X	X X X X X X X X X X	X X X X X X X X X X	X X X X X X X X X X	X X X X X X X X X X
3	Hatch Rear Brake Lights 70 Amp Motorola Alternator 85 MPH Speedometer Maintenance Free Battery	X X X X	X X X X	X X X X	X X X X	X X X X	X X X X
4	4-Speed Manual 5 Speed Manual BW 489 Automatic Heavy Duty Clutch	X Opt.	X ¹⁾ Opt.	X Opt.	X ¹⁾ Opt.	X Opt. X	X Opt. X
5	4-Wheel Disc Brakes "Hybrid" Front Pads	X X	X X	X X	X X	X X	X X
6	Power Steering	With Auto	X	X	X	X	X
7	Mini-Spare Steel Wheel Alloy EMS Style Alloy Inca Alloy TRX Hydraulic Shocks Gas Shocks Tire 165 SR 15 Tire 175/70 X 15 Tire 195/60 X 15 Tire 180/65 X 390	X 5 X 15 X X	X 5/15 X X	X 5 X 15 X X	X 135 X 390 X X	X 5½ X 15 X X	X 135 X 390 X X
8	New Seats with Headrest Sunroof Factory AC - Cycling Clutch Electric Mirrors Deluxe Interior Rear Headrests	X	X X X X	X X X X	X X X X X	X X X X X	X X X X X
9	AC - Cycling Clutch Cruise, Radio	Dir. Opt. Dir. Opt.	Dir. Opt. Dir. Opt.	Dir. Opt. Dir. Opt.	Dir. Opt.	Dir. Opt. Dir. Opt.	Dir. Opt.

1) 5-Speed Manual in some late production.

GROUP	1981 MAJOR FEATURES NEW COMPONENTS	MODEL				
		900 3 CK	900S 3 CK	900S 4 SN	900 Turbo 3 CK	900 Turbo 4SN
2	2.0L "H" Engine CIS Fuel Injection Engine Oil Cooler Turbo Charger Lambda/3-Way Catalyst New 16.6 Gal Gas Tank "Tube" Fuel Level Sensor Screw-in Gas Cap New Fuel Pressure Accum.	X X X X X X X	X X X X X X X	X X X X X X X	X X X X X X X X X	X X X X X X X X X
3	70 Amp Bosch Alternator Tach/Clock Standard New Panel Light Rheostat Revised Headlight Switch Relocated Battery Rear Speaker Wiring Halogen Headlights Maintenance Free Battery	X X X X X X X	X X X X X X X	X X X X X X X	X X X X X X X	X X X X X X X
4	5-Speed Manual BW 001 Automatic BW 002 Automatic	X Opt.	X Opt.	X Opt.	X Opt.	X Opt.
5	4-Wheel Disc Brakes New Front Disc Design	X X	X X	X X	X X	X X
6	New Front Spindle Housing Power Steering 4-Spoke Steering Wheel	X X X	X X X	X X X	X X X	X X X
7	Mini Spare Under Floor Steel Wheels Alloy Wheel - TRX Hydraulic Shocks Gas Shocks Tire 165 X 15 Tire 180/65 X 390	X 5 X 15 X X	X 135 X 390 X X	X 135 X 390 X X	X 135 X 390 X X	X 135 X 390 X X
8	New Front Grey Spoiler Outside Mirrors Redesigned Redesigned Body Side Mldg. Pre-Drilled Antenna Hole Block Pattern Seats New Rear Seat Design New Rear Head Rests New Parcel Shelf Heated Front Seats Front Power Windows Electric Mirrors AC - Sankyo Sunroof	X X X X X X X X X X X X	X X X X X X X X X X X X	X X X X X X X X X X X X	X X X X X X X X X X X X	X X X X X X X X X X X X
9	AC - Sankyo Radio - Silver Sony XR-70 Cruise Electric Antenna	Dlr. Opt. Dlr. Opt. Dlr. Opt. Dlr. Opt.	Dlr. Opt. Dlr. Opt. Dlr. Opt. Dlr. Opt.	Dlr. Opt. Dlr. Opt. Dlr. Opt. Dlr. Opt.	Dlr. Opt. Dlr. Opt. Dlr. Opt.	Mid-year Dlr. Opt. Mid-year

GROUP	1982 MAJOR FEATURES NEW COMPONENTS	MODEL					
		900 3 CK	900 4 SN	900S 3 CK	900S 4 SN	900 Turbo 3 CK	900 Turbo 4SN
2	2.0L "H" Engine CIS Fuel Injection Lambda/3-Way Catalyst Turbo Charger APC System	X X X	X X X	X X X	X X X	X X X X Mid-year	X X X X Mid-year
3	70 Amp Bosch Alternator Rear Door Light Switch Maintenance Free Battery Halogen Headlights Hall Effect Ignition	X X X	X X X	X X X	X X X	X X X X	X X X X
4	5-Speed Manual BW 002 Automatic BW 001 Automatic BW 003 Automatic	X Opt.	X Opt.	X Opt.	X Opt.	X Non-APC APC	X Non-APC APC
5	4-Wheel Disc Brakes	X	X	X	X	X	X
6	Power Steering	X	X	X	X	X	X
7	New Square Hole Steel Wheel Alloy Wheel - 24 Spoke Tire 185/65 X 15 Tire 195/60 X 15 Hydraulic Shocks Gas Shocks	5½ X 15 X X	5½ X 15 X X	5½ X 15 X X	5½ X 15 X X	5½ X 15 X X	5½ X 15 X X
8	Central Door Locks Electric Mirrors Front Power Windows AC - Sankyo Sunroof			Mid-year Mid-year X	X Mid-year Mid-year X	X X X	X X X X
9	AC - Sankyo Cruise Sony XR 70 B Radio Electric Antenna	Dlr. Opt. Dlr. Opt. Dlr. Opt. Dlr. Opt.	Dlr. Opt. Dlr. Opt. Dlr. Opt. Dlr. Opt.	Dlr. Opt. Dlr. Opt. Dlr. Opt.	Dlr. Opt. Dlr. Opt. Dlr. Opt.	Dlr. Opt. X X	Dlr. Opt. X X

GROUP	1983 MAJOR FEATURES NEW COMPONENTS	MODEL					
		900 3 CK	900 4 SN	900S 3 CK	900S 4 SN	900 Turbo 3 CK	900 Turbo 4 SN
2	2.0L "H" Engine CIS Fuel Injection Lambda/3-Way Catalyst Turbo Charger APC System Oil Filler/Dipstick	X X X X	X X X X	X X X X	X X X X	X X X X X X	X X X X X X
3	Hall Effect Ignition 70 Amp Bosch Alternator Fog Light Wiring Fog Lights Halogen Headlights Front White Parking Lights	X X X X	X X X X	X X X X	X X X X	X X X EAG X X	X X X EAG X X
4	5-Speed Manual BW 005 Automatic BW 003 Automatic	X X	X X	X X	X X	X X	X X
5	4-Wheel Disc Brakes Asbestos Free Pads	X X	X X	X X	X X	X X	X X
6	Power Steering	X	X	X	X	X	X
7	Steel Wheel - Square Hole Alloy Wheel - 24 Spoke Tire 185/65 X 15 Tire 195/60 X 15 Hydraulic Shocks Gas Shocks	5½ X 15 X X	5½ X 15 X X	5½ X 15 X X	5½ X 15 X X	5½ X 15 X X	5½ X 15 X X
8	Bronze Tinted Glass Color Keyed Front Spoiler Wider Bumper Trim Belt Line Moulding Front Power Windows Central Locking 3 pt. Rear Seat Belts Electric Mirrors Heated Front Seats Center Console Sunroof Electric Sunroof Leather Upholstery Lowered, Contour Front Seats DIN Size Radio Opening AC - Sankyo	X X X X X	X X X X X	X X X X X X X X X X X X X X	X X X X X X X X X X X X X X	X X X X X X X X EAG X EAG EAG EAG X X	X X X X X X X X EAG X EAG EAG EAG X X
9	AC Sankyo Cruise Sony XR 75 B Electric Antenna	Dlr. Opt. Dlr. Opt. Dlr. Opt. Dlr. Opt.	Dlr. Opt. Dlr. Opt. Dlr. Opt. Dlr. Opt.	Dlr. Opt. Dlr. Opt. Dlr. Opt. Dlr. Opt.	Dlr. Opt. Dlr. Opt. Dlr. Opt. Dlr. Opt.	Dlr. Opt. X X	Dlr. Opt. X X

EAG = Exclusive Appointment Group

GROUP	1984 MAJOR FEATURES NEW COMPONENTS	MODEL					
		900 3 CK	900 4 SN	900S 3 CK	900S 4 SN	900 Turbo 3 CK	900 Turbo 4 SN
2	2.0L "H" Engine CIS Fuel Injection Lambda/3-Way Catalyst Turbocharger APC System New Rear Exhaust Muffler Ratchet Gas Cap	X X X X	X X X X	X X X X	X X X X	X X X X X X X	X X X X X X X
3	Hall Effect Ignition 80 Amp Bosch Alternator 2-Belt Alternator Drive Cooling Fan Time Relay Halogen Headlights Blade Type Fuses Fog Lights 125 mph Speedometer	X X X X X X X	X X X X X X X	X X X X X X X	X X X X X X X	X X X X X EAG X	X X X X X EAG X
4	5-Speed Manual BW 006 Automatic BW 003 Automatic	X X	X X	X X	X X	X X	X X
5	4-Wheel Disc Brakes	X	X	X	X	X	X
6	Power Steering 3-Spoke Steering Wheel	X	X	X	X	X X	X X
7	Steel Wheel - Square Hole Alloy Wheel - 24 Spoke Tire 185/65 X 15 Tire 195/60 X 15 Hydraulic Shocks Gas Shocks	5½ X 15 X X	5½ X 15 X X	5½ X 15 X X	5½ X 15 X X	5½ X 15 X X	5½ X 15 X X
8	Black Front Spoiler Side Bumper Extensions All Door Power Windows Front Console Heated Front Seats Contour Seats Leather Upholstery Block Pattern Seats Lower Front Seats Fabric Door Panel Insert AC - Sankyo Sun Roof Electric Sunroof	X X X X	X X X	X X X X X X X	X X X X X X X	X X X X X EAG X X EAG	X X X X X EAG X X EAG
9	AC Sankyo Clarion Radio/Equalizer Electric Antenna Cruise Control	Dlr. Opt. Dlr. Opt. Dlr. Opt. Dlr. Opt.	Dlr. Opt. Dlr. Opt. Dlr. Opt. Dlr. Opt.	Dlr. Opt. Dlr. Opt. Dlr. Opt. Dlr. Opt.	Dlr. Opt. Dlr. Opt. Dlr. Opt. Dlr. Opt.	X X EAG	X X EAG

EAG = Exclusive Appointment Group

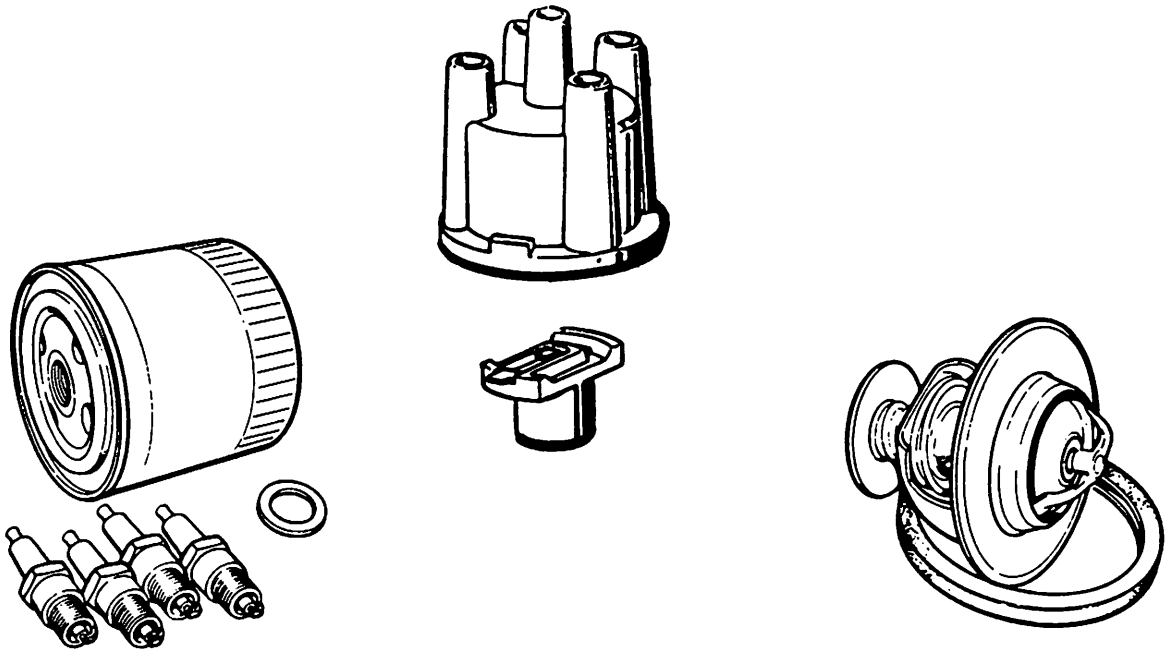
GROUP	1985 MAJOR FEATURES NEW COMPONENTS	MODEL						
		900 3 CK	900 4 SN	900S 2 SN	900S 3 CK	900S 4 SN	900T 3 CK	900T CV
2	2.0 L "H" Engine CIS Fuel Injection 16 Valve 2.0 L Engine LH Electronic Injection Turbo Charger APC System Intercooler Lambda 3-Way Catalyst Automatic Idle Control	X X	X X	X X	X X	X X	X X X X X X	X X X X X
3	Hall Effect Ignition 80 Amp Bosch Alternator Theft Alarm Wiring Halogen Headlights Tudor or Noack Battery Fog Lights	X X X X	X X X X	X X X X	X X X X	X X X X	X X X X EAG/SPG	X X X X EAG
4	5-Speed Manual BW 012 Automatic BW 008 Automatic BW009 Automatic Asbestos Free Clutch Disc	X X Mid-year X	X X Mid-year X	X X Mid-year X	X X Mid-year X	X X Mid-year X	X X X (Not SPG)	X X X
5	4-Wheel Disc Brakes	X	X	X	X	X	X	X
6	Power Steering Remote PS Reservoir New PS Pump New 4-Spoke Steering Wheel	X X	X X	X X	X X	X X	X X X	X X X
7	New Round Hole Steel Wheel Alloy Wheel 24-Spoke Alloy Wheel 15-Spoke Alloy Wheel 3-Spoke Tire 185/65 X 15 Tire 195/60 X 15 Front & Rear Stabilizers Low Pressure Gas Shocks High Pressure Gas Shocks	5½ X 15 X X	5½ X 15 X X	5½ X 15 X X	5½ X 15 X X	5½ X 15 X X	5½ X 15 SPG X SPG X	5½ X 15 X X
8	AC - Sankyo New Off-White Headliner Electric Mirrors Power Windows Contour Seats Leather Upholstery Sunroof Electric Sunroof Body Farings Center Console	X X	X X	X X X X	X X X X	X X X X	X X X X EAG/SPG X EAG/SPG SPG X	X X X X EAG X
9	Cruise Control Clarion Radio Clarion Equalizer Electric Antenna	Dir. Opt. Dir. Opt. Dir. Opt. Dir. Opt.	Dir. Opt. Dir. Opt. Dir. Opt. Dir. Opt.	X X Dir. Opt. X	X X Dir. Opt. X	X X Dir. Opt. X	X X X X	X X X X

EAG = Exclusive Appointment Group
SPG = Special Performance Group

GROUP	1986 MAJOR FEATURES NEW COMPONENTS	MODEL						
		900 3 CK	900 4 SN	900S 2 SN	900S 3 CK	900S 4 SN	900T 3 CK	900T CV
2	2.0 L "H" Engine CIS Fuel Injection 16 Valve 2.0 L Engine LH Electronic Injection Turbo Charger APC System Intercooler Lambda 3-Way Catalyst	X X	X X	X X	X X	X X	X X X X X	X X X X X
3	Hall Effect Ignition EZK Ignition 80 Amp Bosch Alternator High Mounted Brake Light Side Indicator Lights Fog Lights Alarm	X X X X	X X X X	X X X X	X X X X	X X X X	X X X X SPG/EAG	X X X X X X
4	5-Speed Manual BW 008 Automatic BW 009 Automatic Revised Manual Shift Mechanism	X X Mid-year	X X Mid-year	X X Mid-year	X X Mid-year	X X Mid-year	X X Mid-year	X X Mid-year
5	4-Wheel Disc Brakes New Front Hybrid Brake Pads Ventilated Front Discs	X Mid-year	X Mid-year	X Mid-year	X Mid-year	X Mid-year	X Mid-year X	X Mid-year X
6	Power Steering	X	X	X	X	X	X	X
7	Steel Wheels Alloy Wheels 24-Spoke Alloy Wheels 15-Spoke Alloy Wheels 3-Spoke Tire 185/65 X 15 Tire 195/65 X 15 Front & Rear Stabilizer Low Pressure Gas Shocks High Pressure Gas Shocks	5½ X 15 X X	5½ X 15 X X	5½ X 15 X X	5½ X 15 X X	5½ X 15 X X	5½ X 15 SPG X X X	5½ X 15 X X X
8	AC - Sankyo Electric Mirrors Central Locking Power Windows Contour Seats Leather Upholstery Center Console Sunroof Electric Sunroof Body Farings	X X	X X	X X X X	X X X X	X X X X	X X X X X SPG/EAG X SPG/EAG SPG	X X X X X X X
9	Cruise Clarion Electronic Radio Clarion Equalizer Electric Antenna	Dlr. Opt. Dlr. Opt. Dlr. Opt. Dlr. Opt.	Dlr. Opt. Dlr. Opt. Dlr. Opt. Dlr. Opt.	Dlr. Opt. X Dlr. Opt. X	Dlr. Opt. X Dlr. Opt. X	Dlr. Opt. X Dlr. Opt. X	X X X X	X X X X

EAG = Exclusive Appointment Group
SPG = Special Performance Group

MAINTENANCE PARTS



1979 ROUTINE MAINTENANCE PARTS LIST

Every 5,000 Mile Oil Change*/Safety Inspection

<u>Description</u>	<u>Part Number</u>
Oil Filter	93 09 576
Oil Plug Seal	87 18 439

Every 15,000 Mile Major Service

Oil Filter	93 09 576
Oil Plug Seal	87 18 439
Oxygen Sensor (UC & Turbo)	75 30 140
Fuel Filter	83 39 731
Air Filter	93 18 502
Spark Plugs (BP6ES 4 Pack)	02 87 003

Every 30,000 Mile Major Service (Additional Parts)

Charcoal Canister	83 23 008
Distributor Cap	75 01 216
Distributor Rotor	93 06 697
Antifreeze	02 08 991

1980 - 1984 ROUTINE MAINTENANCE PARTS LIST

Every 5,000 Mile Oil Change*/Safety Inspection - Turbo Every 7,500 Mile Oil Change/Safety Inspection - Non Turbo

<u>Description</u>	<u>Part Number</u>
Oil Filter	93 09 576
Oil Plug Seal	87 18 439

Every 15,000 Mile Safety Maintenance Inspection in Conjunction with Oil Change

No Parts
Replacement
Indicated

Every 30,000 Mile Major Service

Air Filter	93 18 502
Fuel Filter	93 28 519
Oxygen Sensor	75 30 140
Spark Plugs (BP6ES 4 Pack)	02 87 003
VC Gasket (1980)	93 05 970
VC Gasket (1981-84)	93 55 991
Ignition Wires (set)	83 89 728
Ignition Wires (set) (1981 - 84)	93 37 346
Antifreeze	02 08 991

Every 60,000 Mile Major Service (Additional Parts)

Charcoal Canister	93 49 358
Distributor Cap	75 01 216
Distributor Rotor (1980)	93 06 697
Distributor Rotor (1981-)	93 50 323
Distributor Rotor (1982 - 84)	93 55 488

* Turbo owners may want to change oil more frequently according to current 3,750 mile recommendations.

1985 - 1986 ROUTINE MAINTENANCE PARTS LIST

Every 3,750 Mile Oil Change - Turbo
Every 7,500 Mile Oil Change - Non- Turbo

Every 15,000 Mile Oil Change/Safety Check

<u>Description</u>	<u>Part Number</u>
Oil Filter	93 09 576
Oil Plug Seal	87 18 439

Every 30,000 Mile Service

8 Valve Engine:

Air Cleaner Element	93 18 502
Fuel Filter	93 28 519
Spark Plugs (BP6-ES 4-Pack)	02 87 003
VC Gasket	93 55 991
Oxygen Sensor (1985)	75 30 140
Oxygen Sensor (1986)	75 34 795
Antifreeze/Coolant	02 08 991

16 Valve Engine:

Air Cleaner Element	75 14 722
Fuel Filter	93 33 790
Spark Plugs (BCP 6 EV)	02 72 286
Antifreeze/Coolant	02 08 991

Every 60,000 Mile Service (Additional Parts)

8 Valve Engine:

Distributor Cap	75 01 216
Distributor Rotor	93 55 488
Charcoal Canister (1985)	93 49 358
Charcoal Canister (1986)	75 32 054

16 Valve Engine:

Distributor Cap	75 01 216
Distributor Rotor (1985)	75 19 309
Distributor Rotor (1986)	75 64 420
Oxygen Sensor (1985)	75 25 603
Oxygen Sensor (1986)	93 92 762
Charcoal Canister (1985)	93 49 358
Charcoal Canister (1986)	75 32 054

FICHE ABBREVIATIONS

-1978	Up to and including model 1978
1980-	As from model 1980
A	Automatic transmission
AC	Air Conditioning
C	Carburetor
CK	Hatchback, 3 or 5 CK
CH, -XXXXXXXX	Up to and including chassis number
CH. XXXXXXXX-	As from chassis number
EGR	Exhaust Gas Recirculation
ELCD	Evaporative Loss Control Device
EMS	EMS model (after 1981 "S" in US)
Engine -XXX	Up to and including engine number
Engine XXX-	As for engine number
Gearbox -XXX	Up to and including gearbox number
Gearbox XXX-	As from gearbox number
GLE	GLE model (After 1981 "S" in US)
I	Injection (CIS)
LH	Left Hand
LHD	Left Hand Drive
M	Manual transmission
PO	Police Cars (Not USA)
PS	Power Steering
RH	Right Hand
RHD	Right Hand Drive
S	Sets
SI	Service Information
SN	2 or 4 door Sedan
SR	Sun Roof
T	Twin carburetors
X	Quantity as required
On-off	"on-off" exhaust gas recirculation system
B201	Engine with single cam
B202	Engine with twin cams

COUNTRY ABBREVIATIONS

AU	Australia
BE	Belgium
CA	Canada
CH	Switzerland
CZ	Czechoslovakia
DK	Denmark
DT	German
EU	Europe
FE	Far East
FR	France
GB	Great Britain
IT	Italy
JA	Japan
ME	Middle East
NO	Norway
SF	Finland
SW	Sweden
UC	USA - California
UF	USA - Federal
US	USA

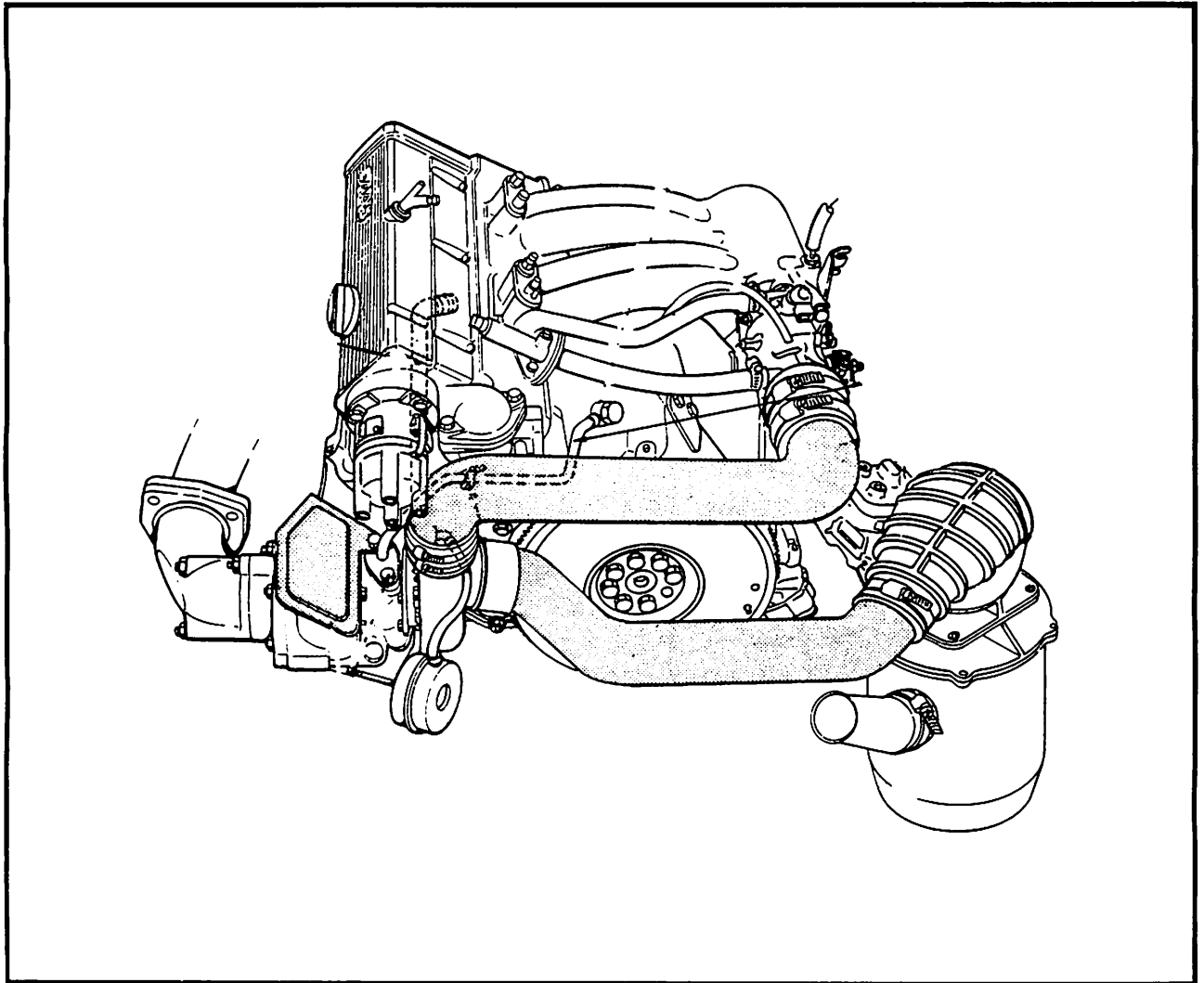
CATALOG CORRECTIONS

Should you find errors or have suggestions to improve this catalog, please notify Saab using the "Quick Reference Discrepancy or Microfiche Discrepancy Advisory" cards found in the front of all Pricing Guides.

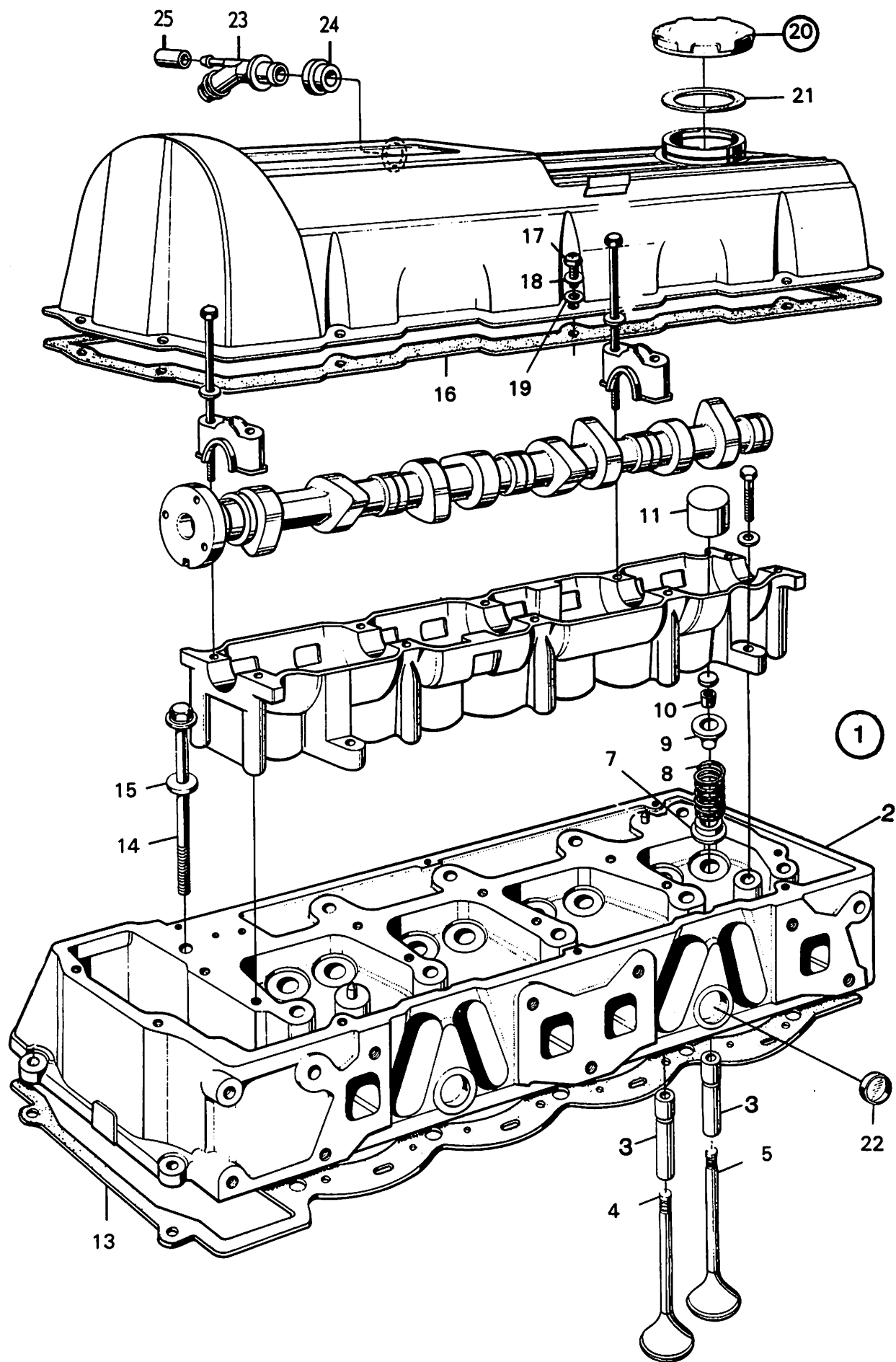
SAMPLE CARD

QUICK REFERENCE DISCREPANCY OR MICROFICHE DISCREPANCY ADVISORY		DATE _____
MODEL _____	P/N _____	
FICHE EDITION _____	FICHE COLOR _____	
FICHE NO. _____	GROUP NO. _____	
GRID NO. _____	POSITION NO. _____	
DISCREPANCY _____ _____		
COMMENTS _____ _____ _____		
DEALER CODE _____	PARTS MGR. _____	
SSA INTERNAL _____		

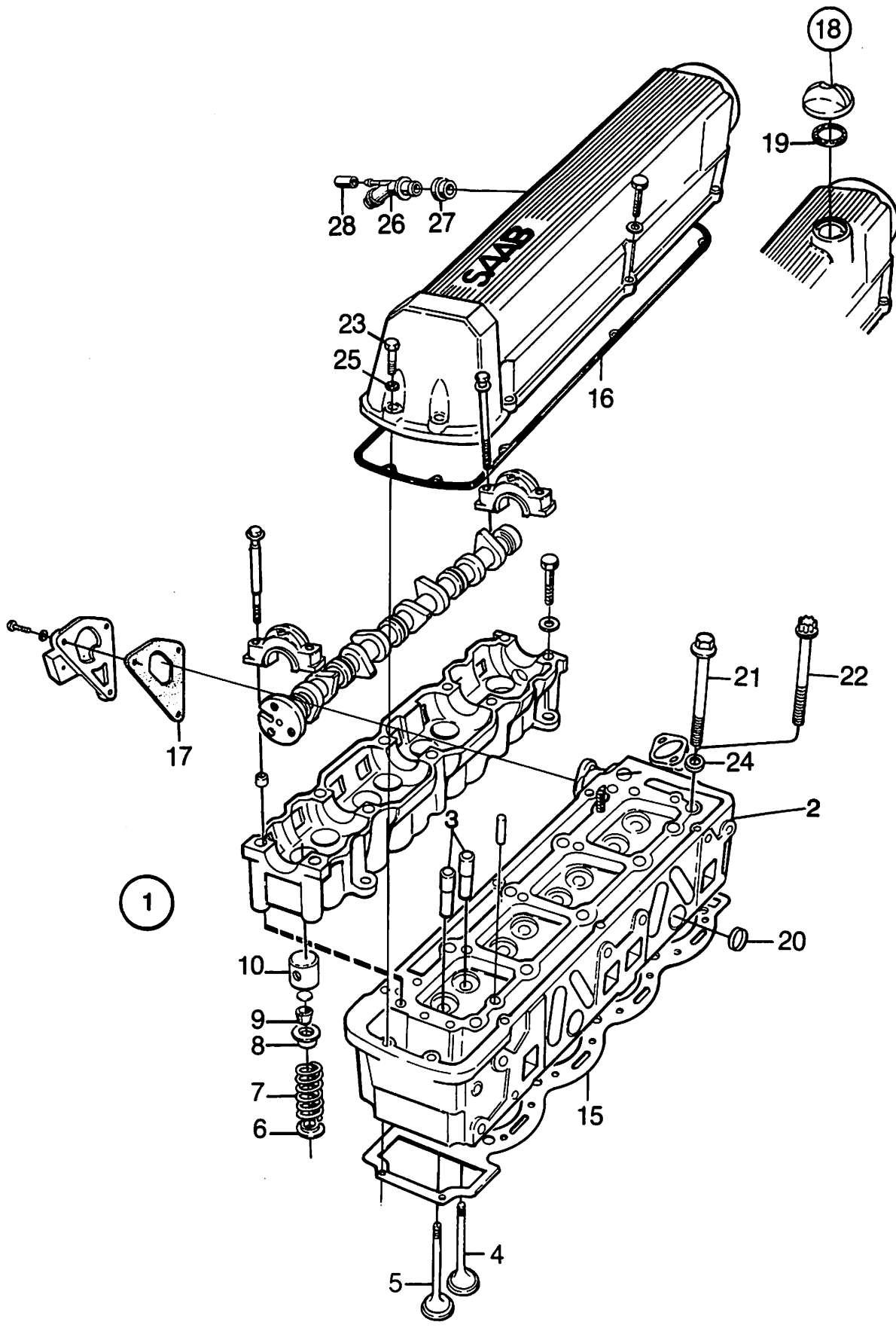
ENGINE



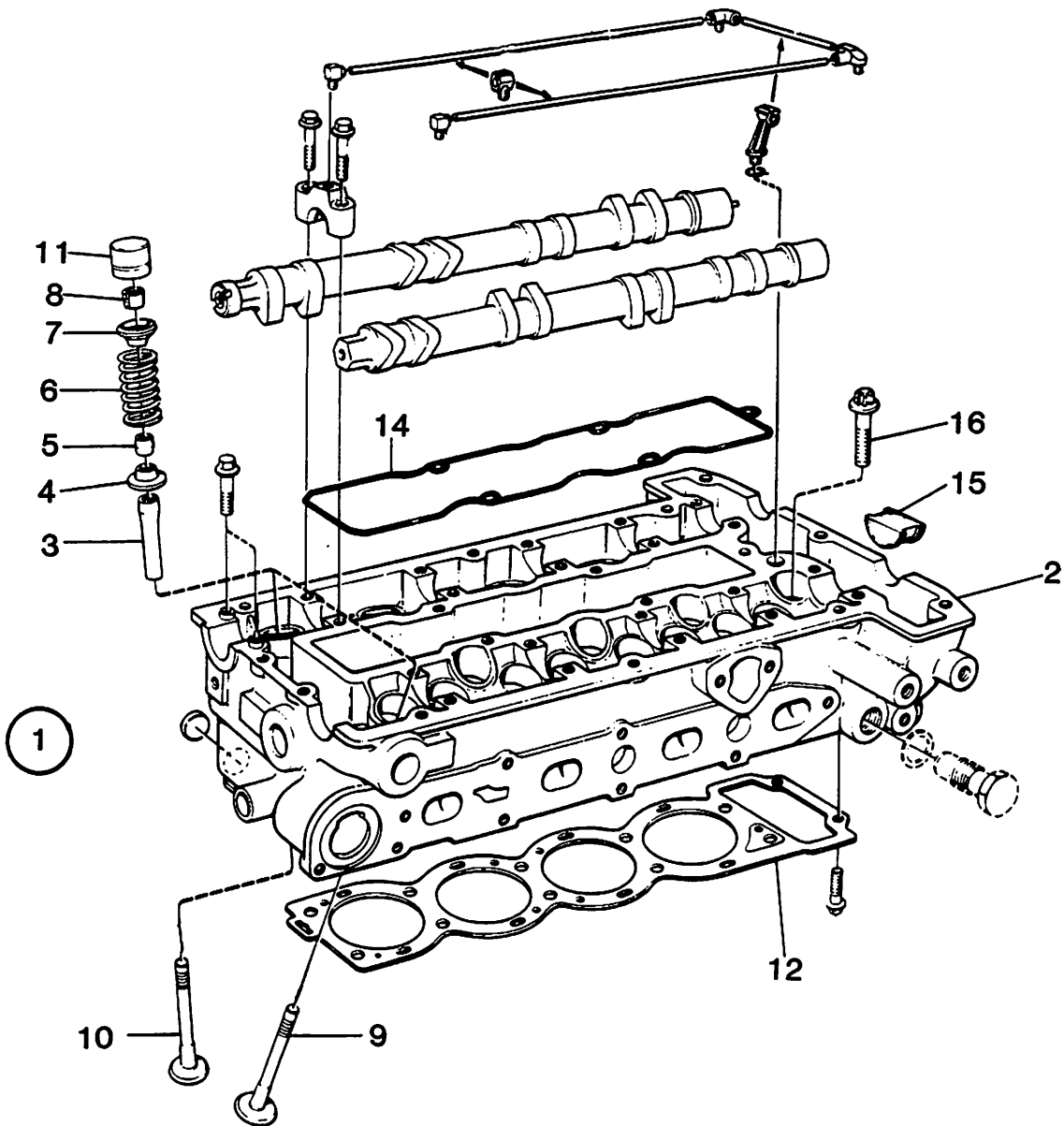
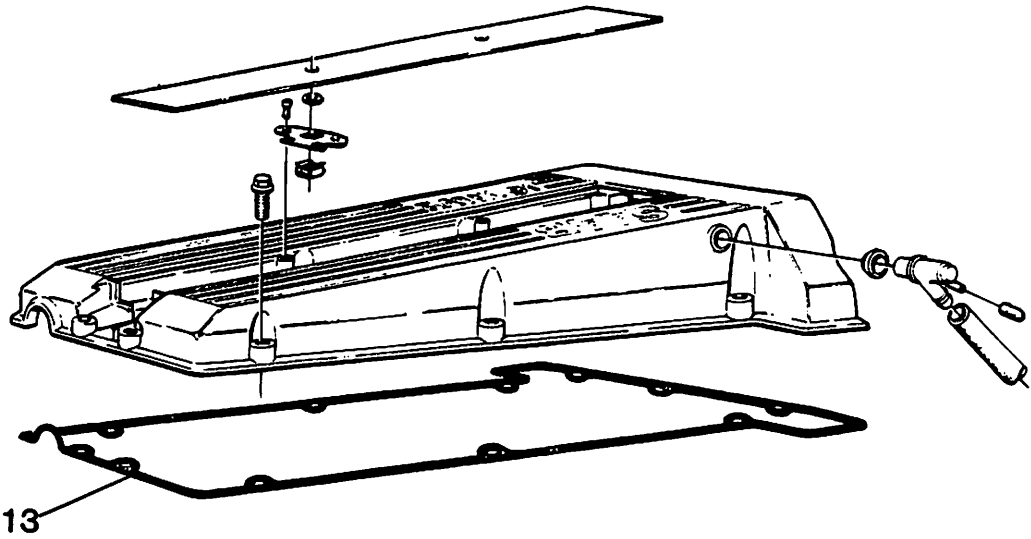
GROUP 2



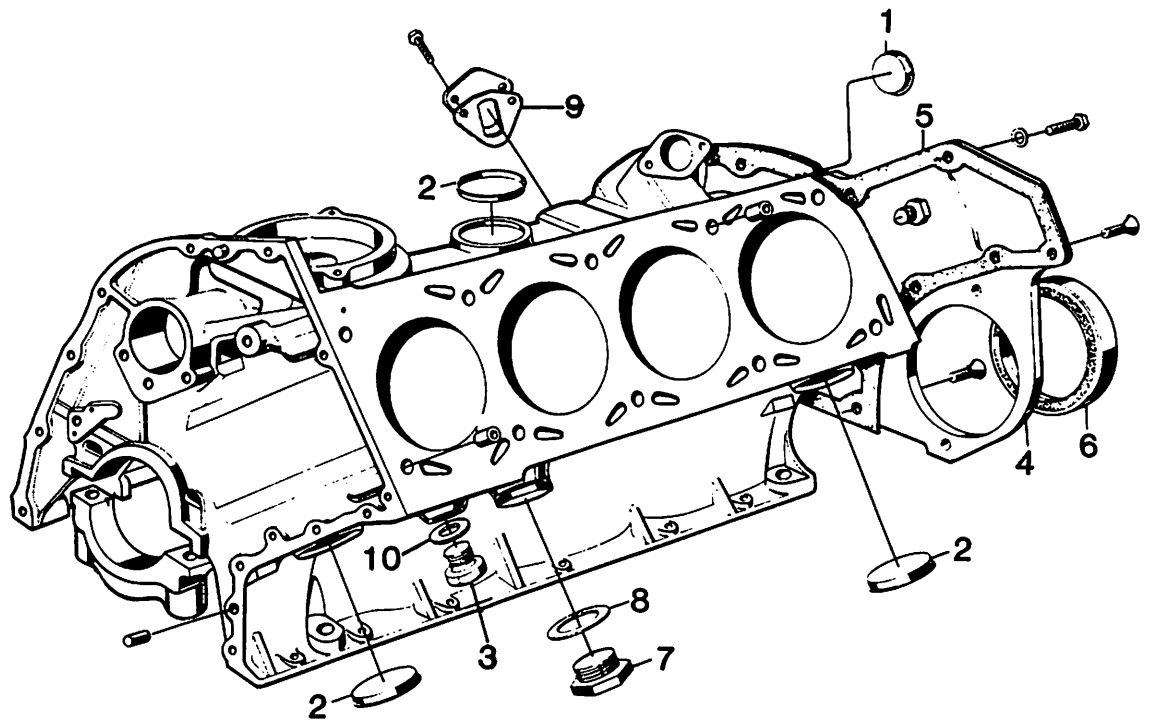
ENGINE				Group	Page
Cylinder Head "B-Engine" 1979 - 80				2	1
Pos.	Part No.	Qty.	Notes	Description	
1	75 22 337	1	UF 1979 Only	Cylinder Head w/Valves	
1	75 22 345	1	Sodium Valves	Cylinder Head w/Valves	
2	75 22 352	1	• Cylinder Head	
3	83 50 944	8	•• Valve Guide	
4	83 46 884	4	• Intake Valve	
4	83 64 390	4	Turbo	• Intake Valve	
5	83 62 295	4	1979	• Exhaust Valve	
5	93 07 356	4	• Sodium Filled Exhaust Valve	
7	83 46 900	8	• Retainer Lower	
8	93 51 800	8	• Valve Spring	
9	83 46 926	8	• Retainer	
10	83 47 262	16	• Lock	
11	83 46 942	8	Valve Depressor	
13	83 58 780	1	Gasket, Cylinder Head	
14	93 54 598	10	Head Bolt	
15	80 73 272	10	Washer	
16	93 05 970	1	Gasket, Valve Cover	
17	93 05 988	8	Screw	
18	93 06 002	8	Washer	
19	93 05 996	8	Washer	
20	83 48 948	1	Cap Assy. Valve Cover	
21	83 50 530	1	• Gasket	
22	83 48 005	2	27, 3 MM.	Seal Washer	
22	81 23 218	2	28, 2 MM Alternate to 83 48 005	Seal Washer	
23	83 60 240	1	Nipple	
24	75 15 190	1	Bushing	
25	83 35 614	1	Turbo.	Plug	
	93 37 296		Head Gasket Set	
	93 20 748		Head Gasket Set	
	93 37 312		Whole Engine I.	Gasket Set	



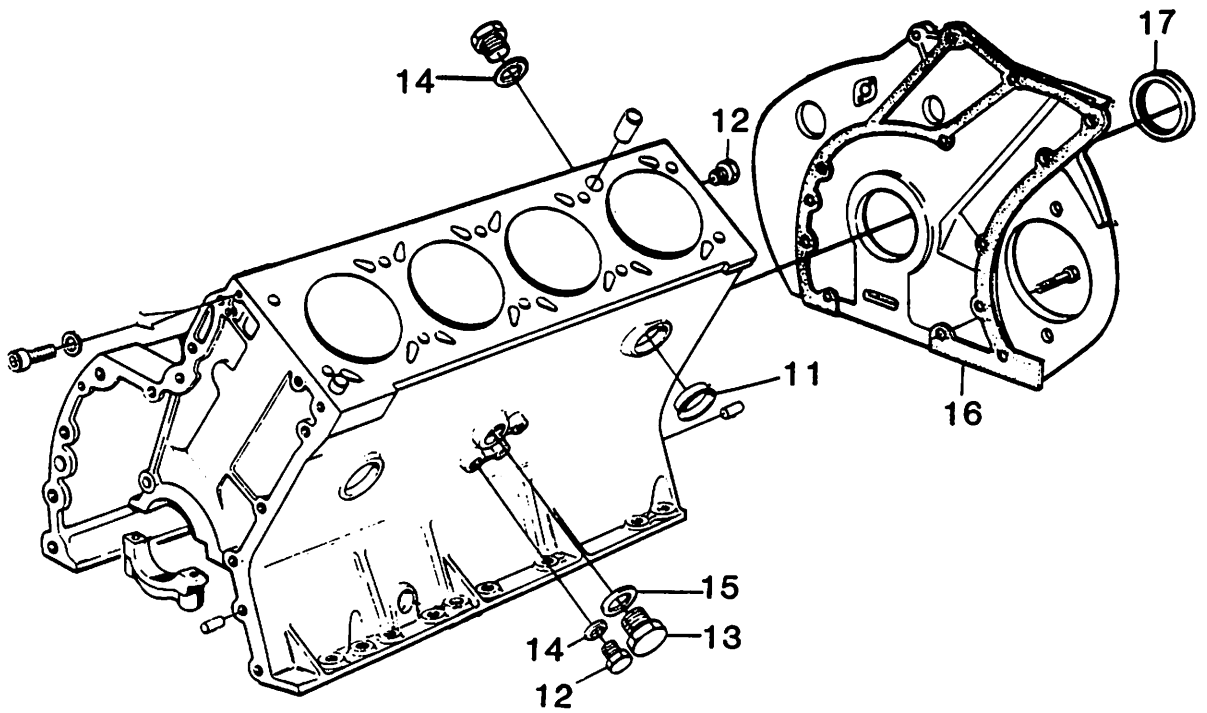
ENGINE				Group	Page
CYLINDER HEAD "H-ENGINE" 1981-				2	2
Pos.	Part No.	Qty.	Notes	Description	
1	75 22 360	1	Cylinder Head Assy. w/Valves	
2	75 22 741	1	• Cylinder Head	
3	83 50 944	8	•• Valve Guide	
4	83 46 884	4	Intake Valve	
4	83 64 390	4	Turbo	Intake Valve	
5	93 07 356	4	Sodium-Filled Exh. Valve	
6	83 46 900	8	Retainer Lower	
7	93 51 800	8	Valve Spring	
8	83 46 926	8	Retainer	
9	83 47 262	16	Lock	
10	83 46 942	8	Valve Depressor	
15	75 05 217	1	Gasket	
15	75 21 859		1, 7 MM for Service Measure	Gasket	
16	93 55 991	1	Gasket, Valve Cover	
17	93 06 721	1	Gasket	
18	93 11 069	1	-1982	Cover	
19	93 11 101	1	-1982	• Gasket	
20	81 23 218	2	Plug	
21	93 54 598	10	Engine -E53613.	Screw	
22	75 18 343	10	Engine E53614- & Including Engine #E42621 -E46906 only with 93 54 598	Screw	
23	80 97 941	8	Screw	
24	80 73 272	10	Washer	
25	80 29 951	8	Washer	
26	83 60 240	1	Nipple	
27	75 15 190	1	Bushing	
28	83 35 614	1	Turbo.	Plug	
	93 37 221		Whole Engine	Gasket Set	
	93 37 247		Head Gasket Set	
	93 37 254		Head Gasket Set	



ENGINE				Group	Page
Cylinder Head B202				2	3
Pos.	Part No.	Qty.	Notes	Description	
1	75 61 988	1	1985- Turbo	Cylinder Head Assy. w/Valves	
1	75 61 996	1	1986- B202 I (900S)	Cylinder Head Assy. w/Valves	
2	93 58 235	1	1985	• Cylinder Head	
2	75 23 996	1	1986-	• Cylinder Head	
3	75 60 154	16	•• Valve Guide	
4	75 05 134	16	• Retainer Lower	
5	75 00 713	16	• Seal	
6	93 58 391	16	• Spring	
7	75 01 349	16	• Retainer Upper	
8	75 15 547	32	• Lock	
9	75 00 077	8	1985	• Intake Valve	
9	75 62 002	8	1986-	• Intake Valve	
10	75 00 085	8	• Exhaust Valve	
11	93 57 716	16	Valve Depressor	
12	75 61 301	1	Gasket, Cylinder Head	
13	75 20 380	1	Gasket	
14	93 59 647	1	Gasket	
15	75 00 069	3	Plug	
16	75 18 335	10	Bolt, Cyl. Head	
	88 17 512		Includes 75-20-380, 93-59-647 & 75 00 069 (3)	Gasket Set, Valve Cover	
	88 18 007		Gasket Set, Cyl. Head	



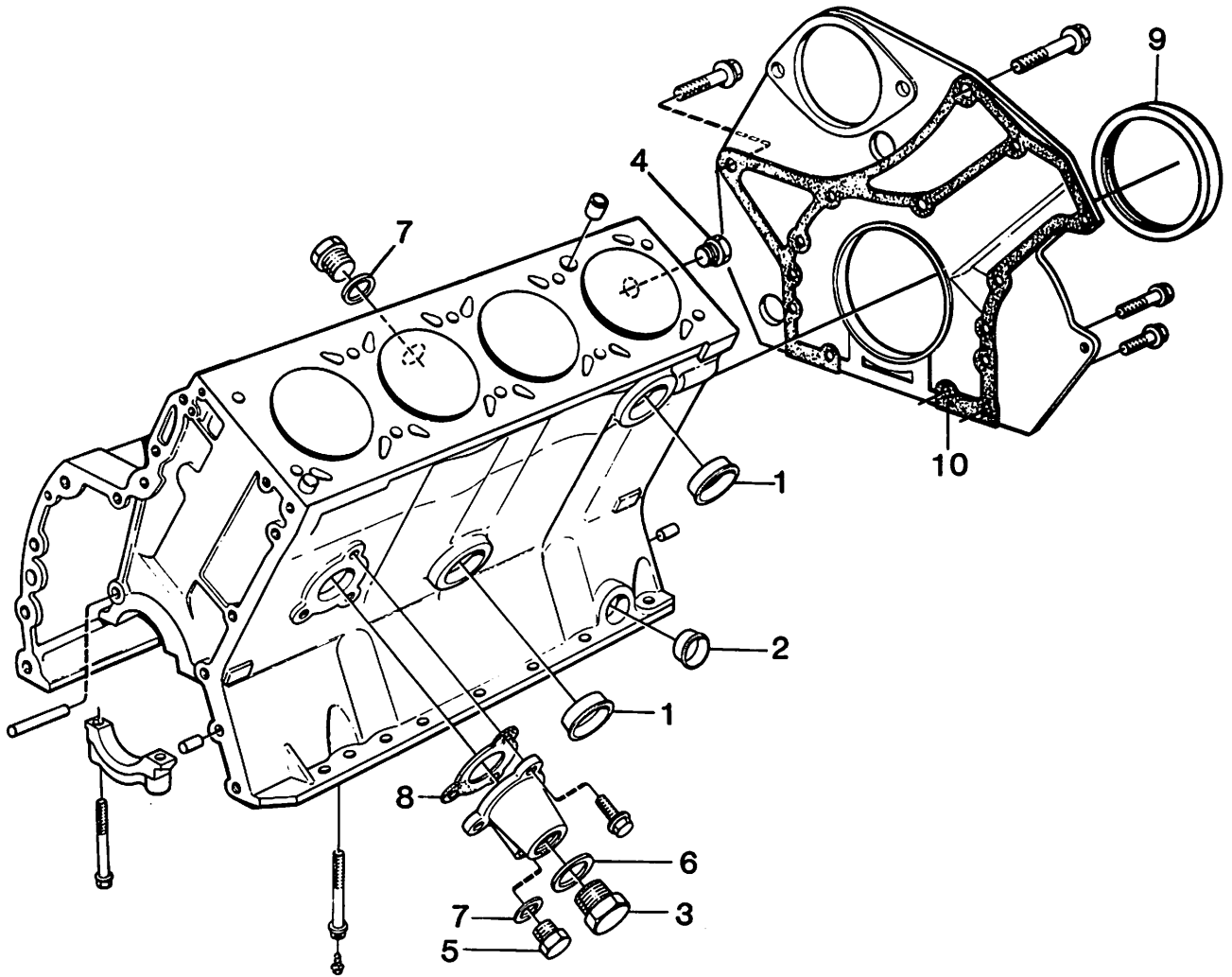
1979-1980



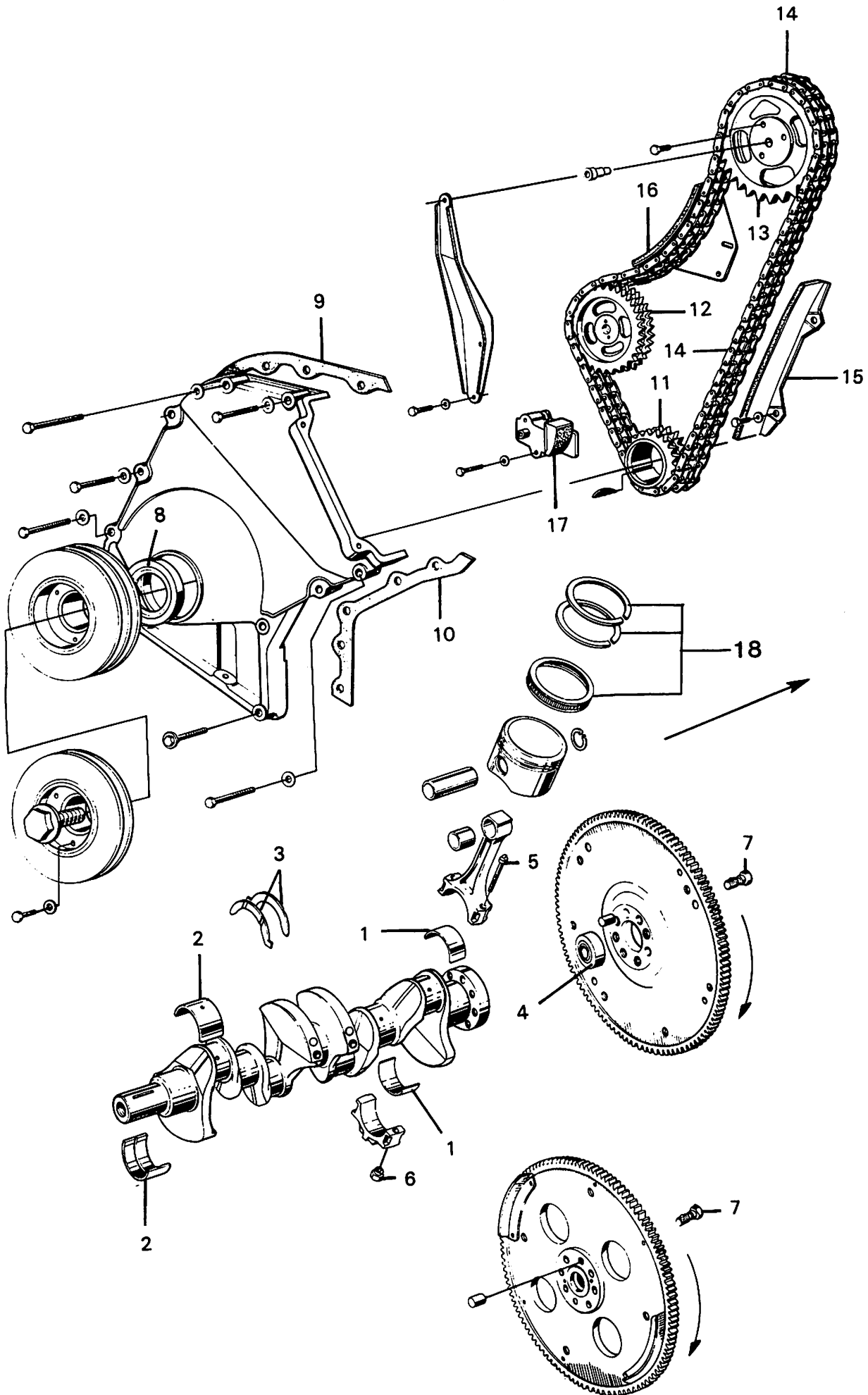
1981-1984

ENGINE Cylinder Block 1979 - 84	Group 2	Page 4
--	--------------------------	-------------------------

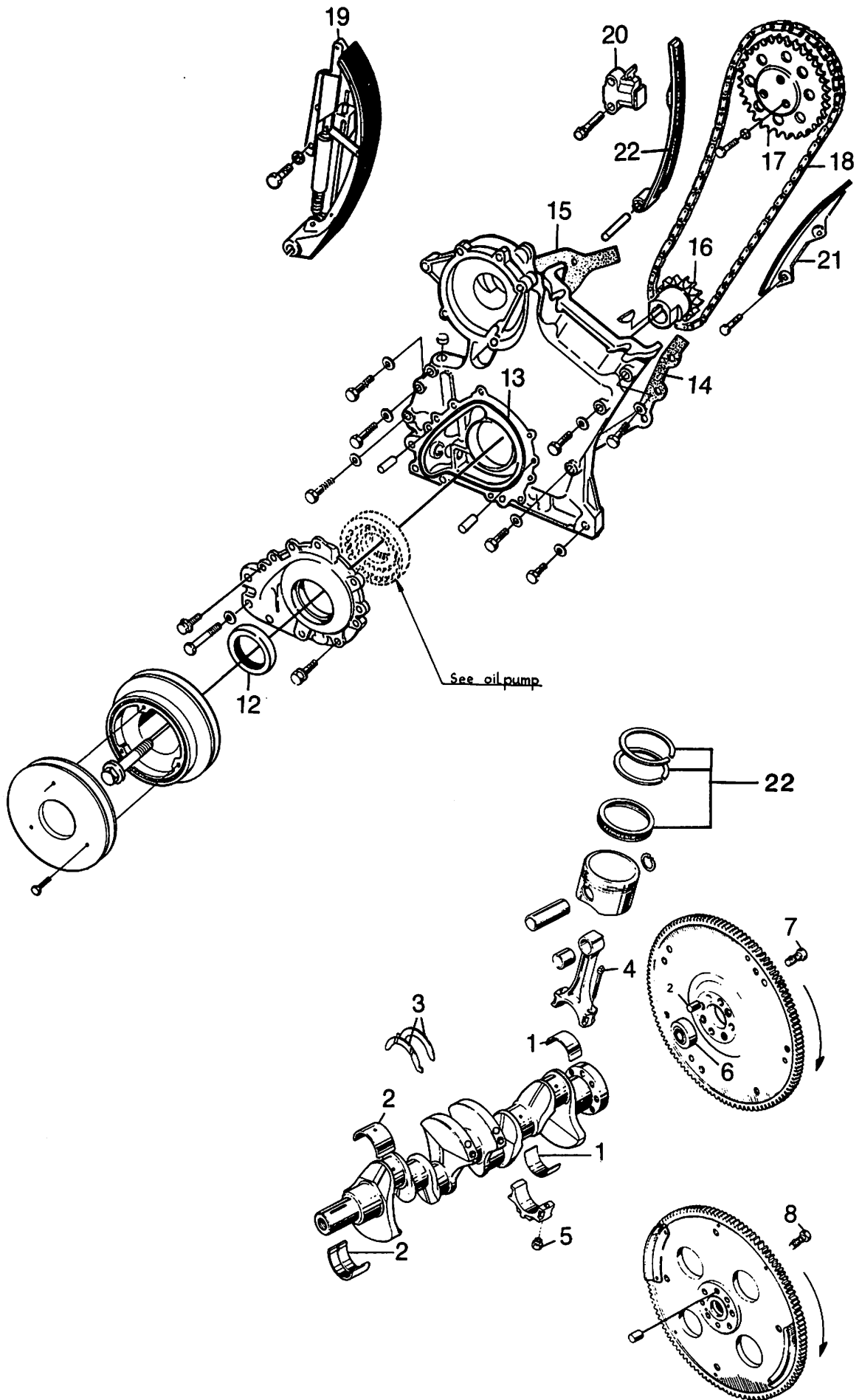
Pos.	Part No.	Qty.	Notes	Description
1	83 48 005	1	Seal Washer
2	83 47 999	3	Seal Washer
3	83 48 047	2	Plug
4	83 52 569	1	End Plate
5	83 59 341	1	Gasket
6	93 50 158	1	Sealing Ring
7	83 48 088	1	Plug
8	83 48 864	1	Gasket
9	83 68 672	1	Gasket
10	83 24 865	1	Gasket
11	83 47 999	2	Seal Washer
12	83 48 047	2	Plug
13	83 48 088	1	Plug
14	81 24 141	2	Gasket
15	81 24 216	1	Gasket
16	93 56 965	1	Gasket
17	93 50 158	1	Sealing Ring



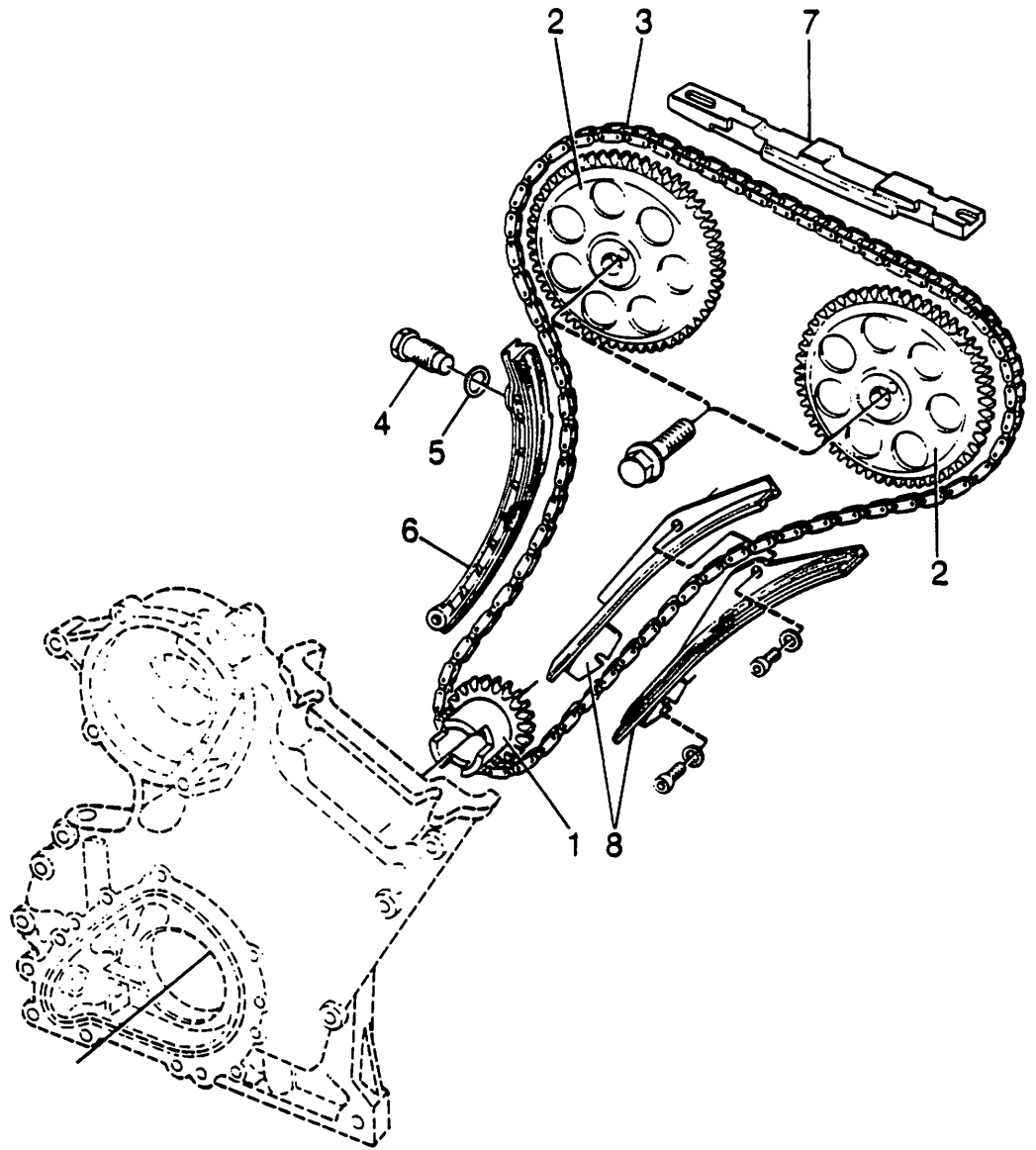
ENGINE				Group	Page
Cylinder Block 1985-				2	5
Pos.	Part No.	Qty.	Notes	Description	
1	83 47 999	2	Seal Washer	
2	81 23 218	1	Seal Washer	
3	81 23 788	1	Plug	
4	83 48 047	1	Plug	
5	81 23 721	1	Plug	
6	81 24 208	1	Gasket	
7	81 24 141	2	Gasket	
8	75 07 833	1	Gasket	
9	93 50 158	1	Sealing Ring	
10	75 16 586	1	Gasket	



ENGINE				Group	Page
Bearings, Piston Rings, Timing Chain 1979-80				2	6
Pos.	Part No.	Qty.	Notes	Description	
1	02 69 308	1	Connecting Rod Bearing Set, Std.	
1	02 69 316	1	.010" under. For other available undersize bearing shells, see complete Saab spare parts microfiche	Connecting Rod Bearing Set, 0.25 mm under	
2	02 69 357	1	Main Bearing Set, Std.	
2	02 69 365	1	.010" under. For other available undersize bearing shells, see the complete Saab spare parts microfiche.	Main Bearing Set, 0.25mm under	
3	83 47 270	2	Thrust Washer	
4	83 46 868	1	Ball Bearing	
5	83 47 106	8	Bolt	
6	75 00 739	8	Nut	
7	75 61 749	7	M	Screw	
7	83 53 377	7	A	Screw	
8	93 09 204	1	Sealing Ring	
9	83 59 325	1	Gasket, Transmission Cover	
10	83 59 333	1	Gasket, Transmission Cover	
11	83 46 785	1	Chain, Wheel Crankshaft	
12	83 46 793	1	Chain Wheel	
13	83 46 801	1	Chain Wheel	
14	78 71 403	1	Chain	
15	83 47 718	1	Chain Guide	
16	83 47 726	1	Chain Guide	
17	83 47 874	1	Chain Tensioner	
18	83 89 066	1	Set, Piston Rings Std.	
18	93 20 003	1	Set, Piston Rings Std.	



ENGINE				Group	Page
Bearings, Piston Rings, Timing Chain 1981-				2	7
Pos.	Part No.	Qty.	Notes	Description	
1	02 69 308	1	Connecting Rod Bearing Set, Std.	
1	02 69 316	1	.010" under. For other available undersize bearing shells, see the complete Saab spare parts microfiche.	Connecting Rod Bearing Set, 0.25mm under.	
2	02 69 357	1	Main Bearing Set, Std.	
2	02 69 365	1	.010" under. For other available undersize bearing shells, see complete Saab spare parts microfiche.	Main Bearing Set, 0.25mm Under	
3	83 47 270	2	Thrust Washer	
4	83 47 106	8	Bolt	
5	75 00 739	8	Nut	
6	83 46 868	1	Ball Bearing	
7	75 61 749	7	M	Bolt	
8	93 14 881	7	A	Bolt	
12	93 09 204	1	Sealing Ring	
13	83 69 829	1	O-Ring	
14	75 09 367	1	Gasket	
15	75 09 375	1	Gasket	
16	83 69 787	1	Engine -C52784.	Chain Wheel	
16	93 57 211	1	Engine C52785- -1984.	Chain Wheel	
16	75 18 632	1	1985-	Chain Wheel	
17	93 06 747	1	Chain Wheel	
18	93 59 779	1	Chain	
19	93 58 136	1	Original Design No Longer Available	Chain Tensioner	
20	88 17 405	1	Replacement Design	Chain Tensioner Kit	
21	75 07 155	1	Chain Guide	
22	75 20 513	4	Kit, Piston Rings	

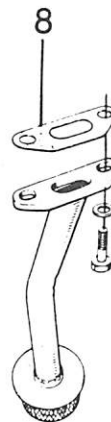
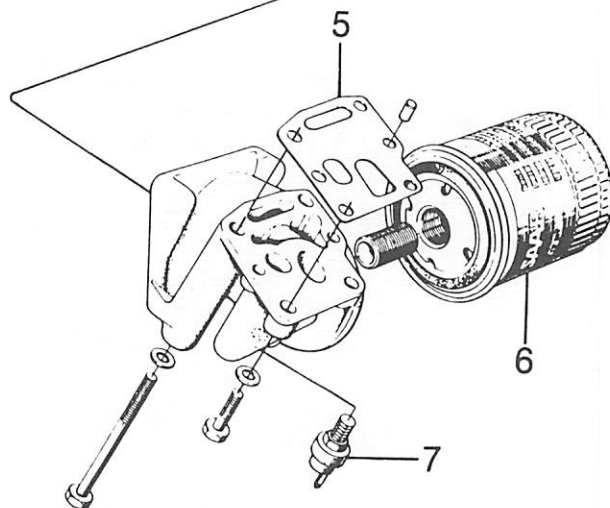
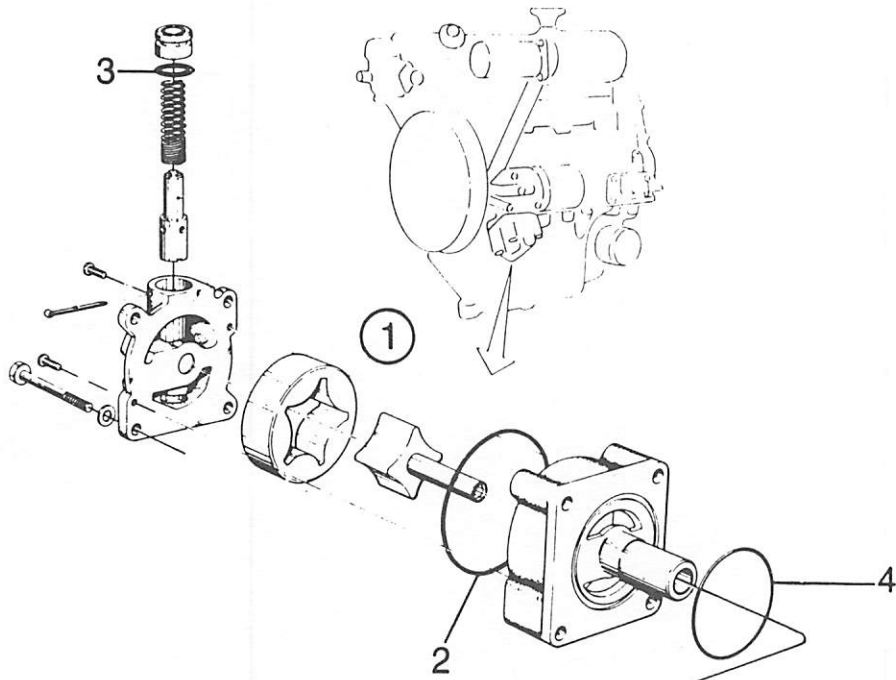
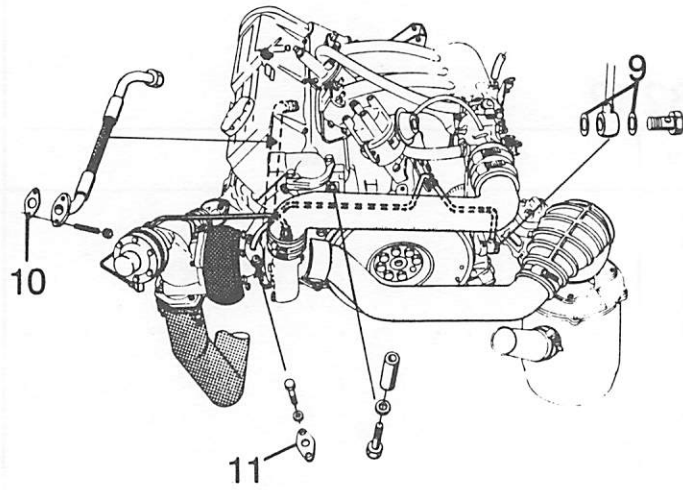


ENGINE
Timing Chain B202

Group
2

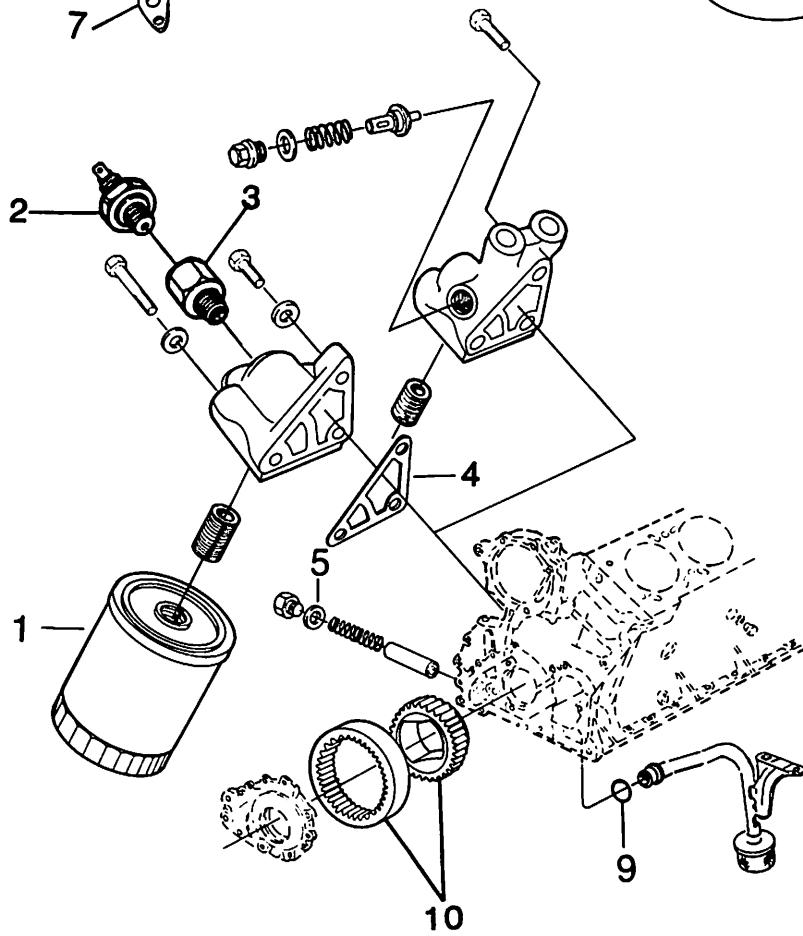
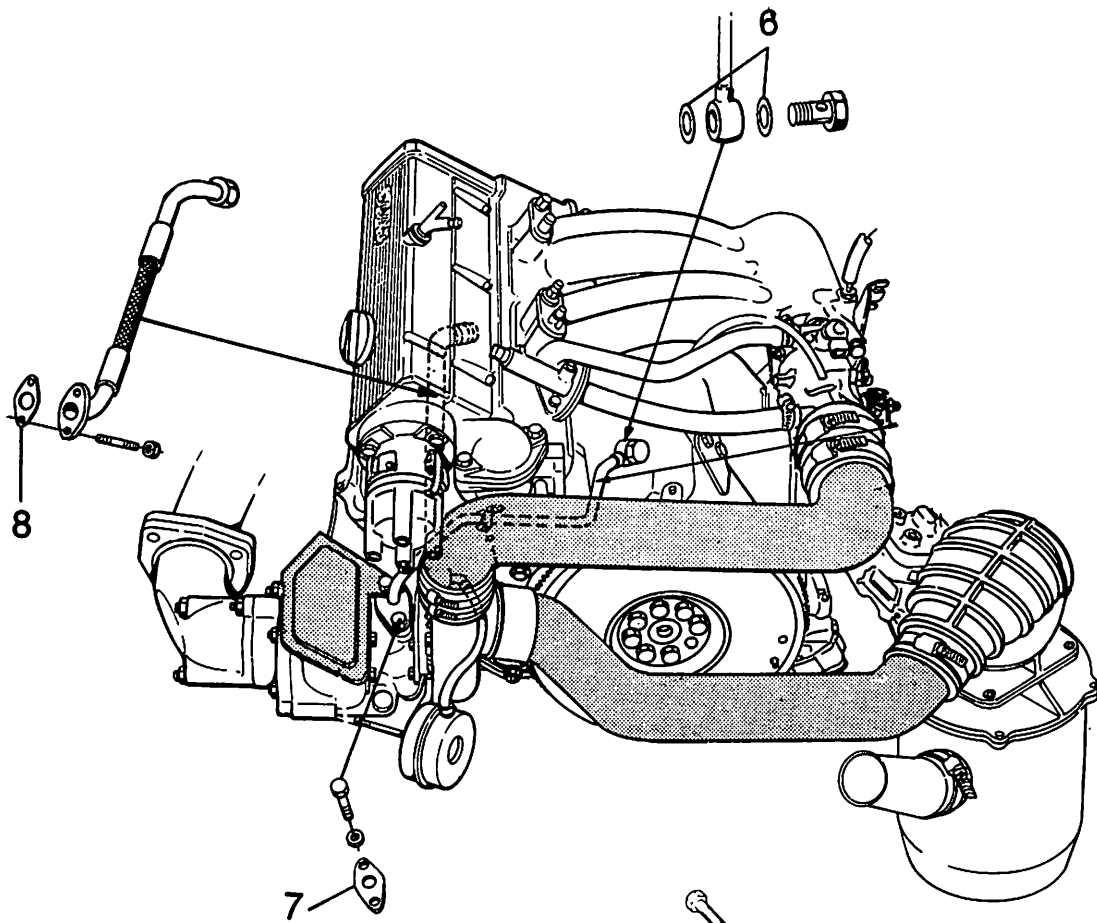
Page
8

Pos.	Part No.	Qty.	Notes	Description
1	75 18 640	1	Chain Wheel
2	75 00 127	2	Chain Wheel
3	75 00 697	1	Chain
4	75 85 086	1	Chain Tensioner
5	75 08 690	1	Gasket
6	75 00 150	1	Chain Guide
7	75 05 845	1	Chain Guide
8	75 06 199	1	Chain Guide



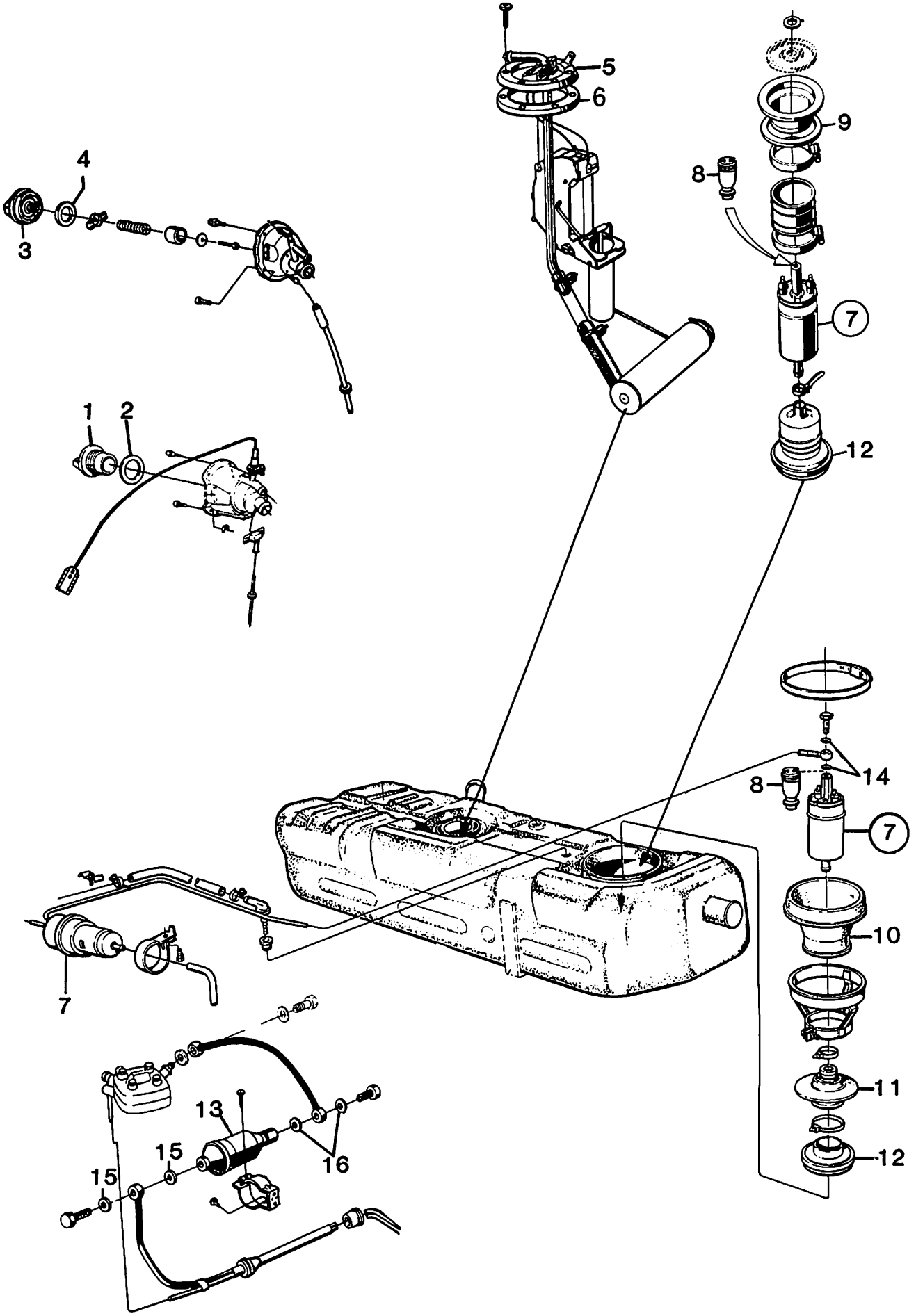
ENGINE Lubrication system 1979-80	Group 2	Page 9
--	--------------------------	-------------------------

Pos.	Part No.	Qty.	Notes	Description
1	83 61 347	1	Oil Pump Assy.
2	83 62 105	1	• O-Ring
3	83 62 113	1	• O-Ring
4	81 19 422	1	O-Ring
5	83 47 635	1	Gasket
6	93 09 576	1	Oil Filter
7	78 74 670	1	Oil Pressure Switch
8	83 47 643	1	Gasket
9	83 24 865	2	Turbo.	Gasket
10	75 18 970	1	Turbo.	Gasket
11	75 07 700	1	Turbo.	Gasket

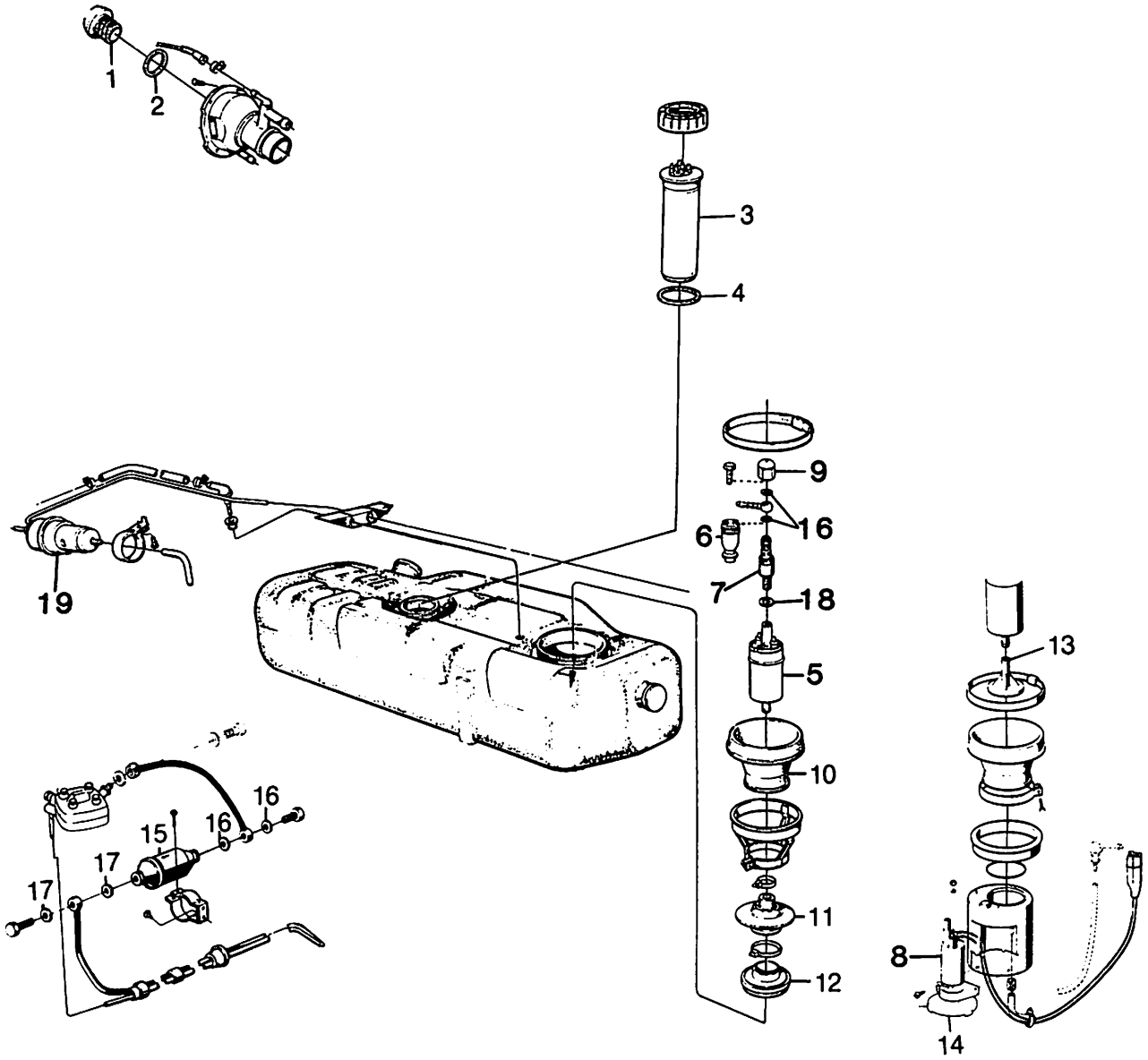


ENGINE Lubrication System 1981-	Group 2	Page 10
--	--------------------------	--------------------------

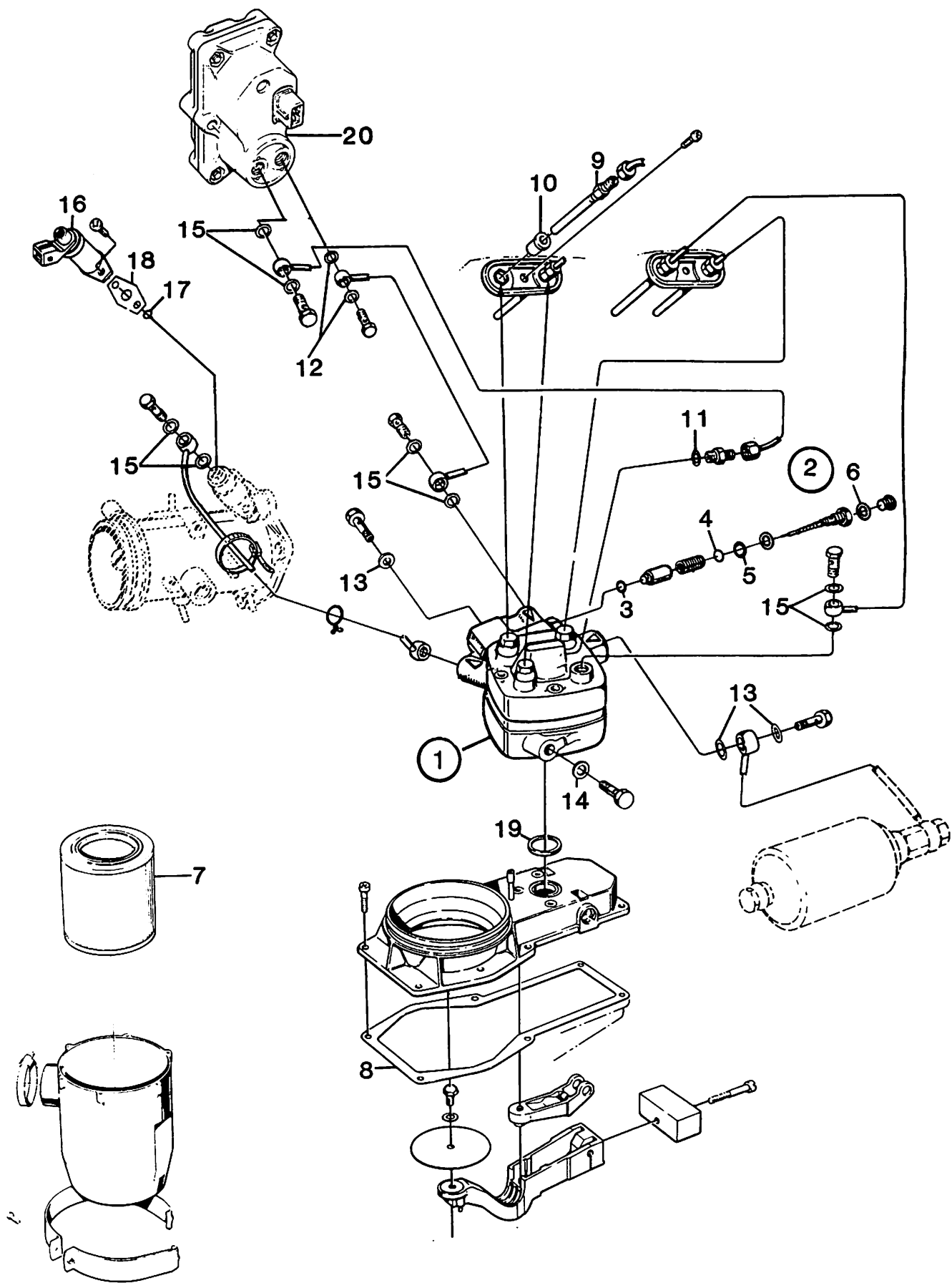
Pos.	Part No.	Qty.	Notes	Description
1	93 09 576	1	Oil Filter
2	75 22 402	1	Adaptor 75 64 248 Required for -85 Cars	Oil Pressure Switch
3	75 64 248	1	Not Required for 1986- Cars	Adaptor
4	93 08 180	1	Gasket
5	93 55 389	1	Seal Washer
6	81 24 141	2	Turbo.	Gasket
7	75 07 700	1	Turbo.	Gasket
8	75 18 970	1	Turbo.	Gasket
9	79 72 698	1	O-Ring
10	93 36 850	1	Engine -B20C52784.	Oil Pump
10	93 37 452	1	Engine B20C52785-, -1984	Oil Pump
10	88 17 561	1	1985-.	Oil Pump



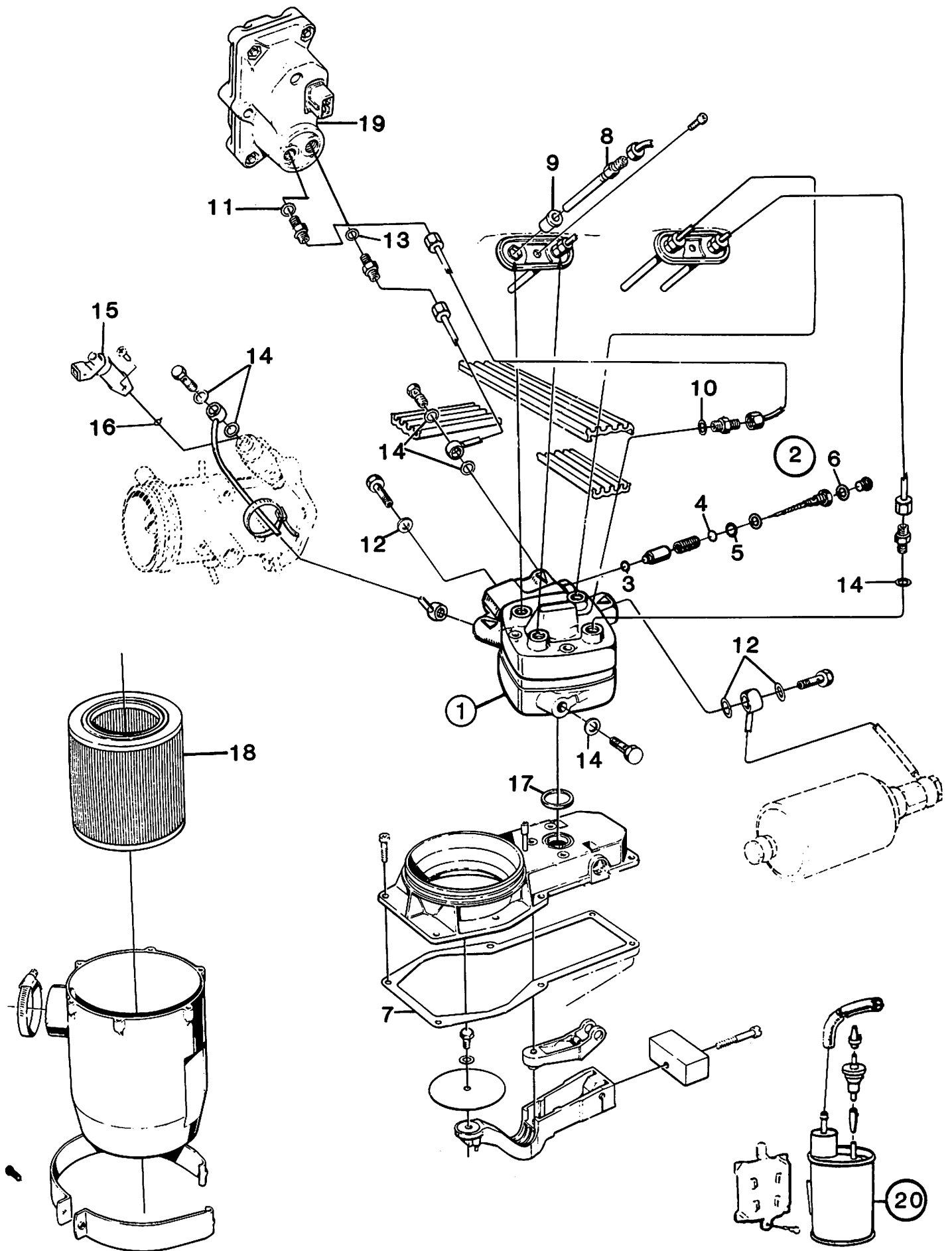
ENGINE				Group	Page
Fuel System 1979 - 80				2	11
Pos.	Part No.	Qty.	Notes	Description	
1	83 22 729	1	- 90791025988, -90792002429 UF	Filler Cap Assy.	
2	83 28 098	1	Gasket	
3	93 18 072	1	90791025989-, 90792002430- UF and UC (all).	Filler Cap Assy.	
4	83 35 960	1	• Gasket	
5	83 86 658	1	-1979.	Fuel Level Transmitter	
5	83 26 209	1	1980-.	Fuel Level Transmitter	
6	93 28 345	1	-1979.	Gasket	
6	83 26 720	1	1980-.	Rubber Gasket	
7	83 34 997	1	Fuel Pump Assy.	
8	93 19 799	1	• Non-return Valve	
9	83 85 528	1	-1979.	O-Ring	
10	93 19 971	1	1980-.	Seal Collar	
11	93 19 955	1	1980-.	Bellows	
12	83 31 159	1	Strainer	
13	83 39 731	1	-1979.	Fuel Filter	
13	93 28 519	1	1980-.	Fuel Filter	
14	83 26 704	2	Gasket	
15	83 26 712	2	Gasket	
16	83 26 704	2	Gasket	



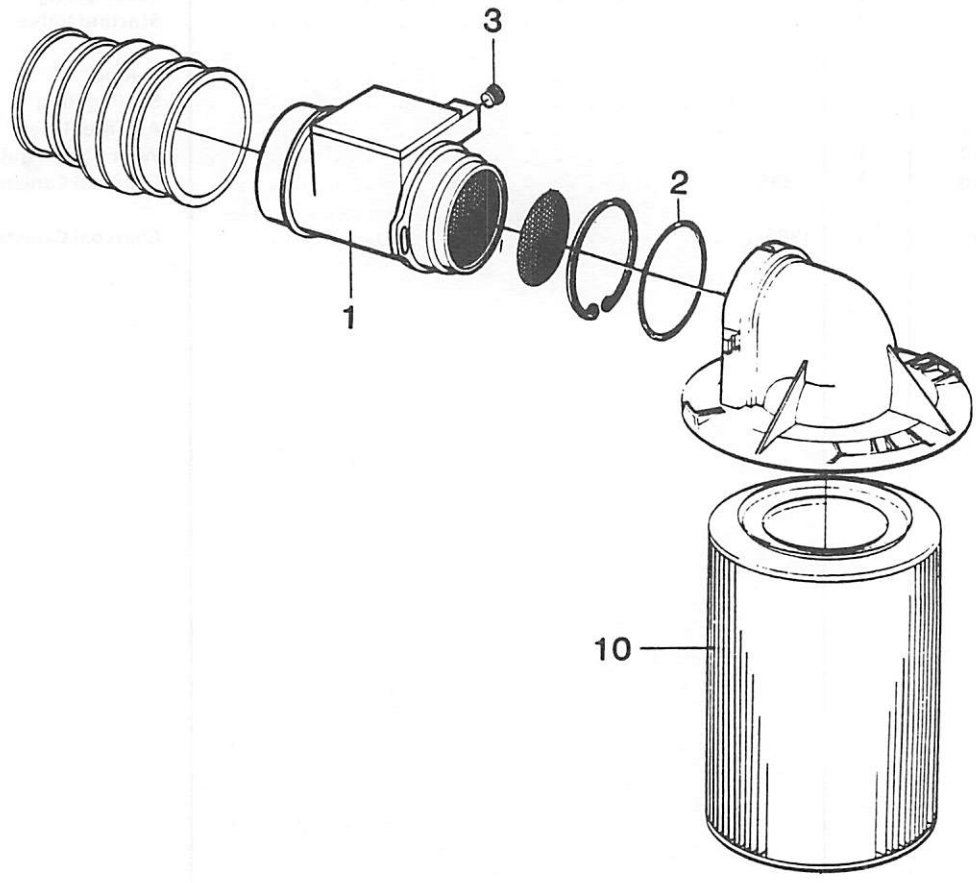
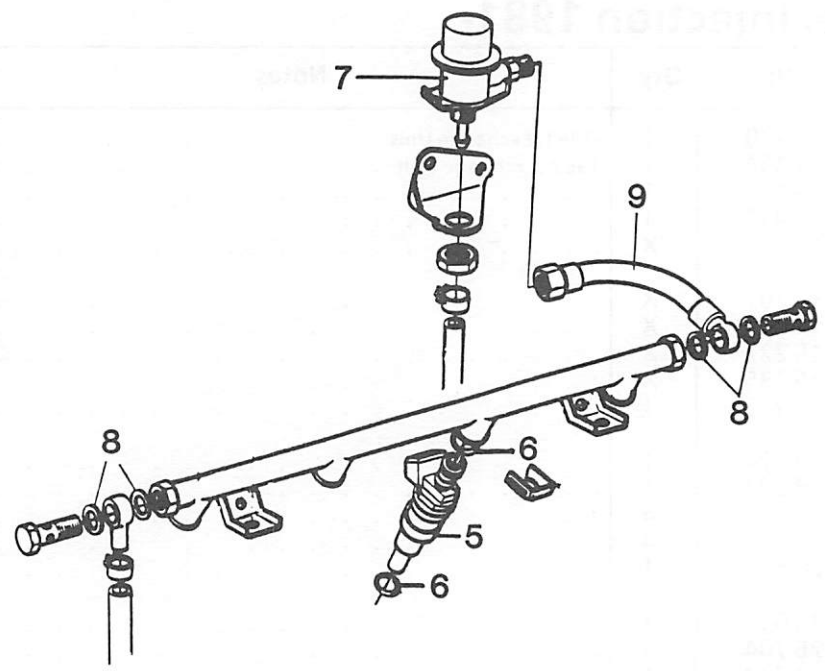
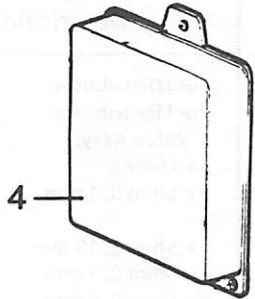
ENGINE				Group	Page
Fuel System 1981-				2	12
Pos.	Part No.	Qty.	Notes	Description	
1	93 92 705	1	Filler Cap Assy.	
2	75 11 751	1	Part of 93 92 705	• Gasket	
3	93 32 339	1	-1982	Fuel Level Transmitter	
3	93 61 965	1	1983-	Fuel Level Transmitter	
4	75 10 134	1	-1983	Gasket	
4	93 68 846	1	1984-	Gasket	
5	83 34 997	1	-C1015331, -C2005207, -C6001476, -C3004711	Fuel Pump	
5	93 61 015	1	C1015332-, C2005208-, C6001477-, C3004712-	Fuel Pump	
5	93 67 798	1	B202	Fuel Pump	
6	93 19 799	1	-C1015331, -C2005207, -C6001476, -C3004711	• Non-return Valve	
7	93 37 510	1	C1015332-, C2005208-, C6001477-, C304712-.	• Non-return Valve	
7	88 17 553	1	B202	• Non-return Valve	
8	75 26 163	1	D1025853-, D2009881-.	Feed Pump	
9	93 61 668	1	C1015332-, C2005208-, C6001477-, C3004712-	Cap Nut	
10	93 19 971	1	Seal Collar	
10	93 67 756	1	B202	Seal Collar	
11	93 19 955	1	Bellows	
12	83 31 159	1	Strainer	
13	93 65 958	1	D1025853-, D2009881-.	Strainer	
14	93 86 491	1	D1025853-, D2009881-.	Strainer	
15	93 28 519	1	Fuel Filter	
15	93 33 790	1	B202	Fuel Filter	
16	83 26 704	4	Gasket	
17	83 26 712	2	Gasket	
18	93 37 528	1	C1015332-, C2005208-, C6001477-, C3004712-	Gasket	
19	93 37 601	1	-1983	Fuel Accumulator	
19	75 25 181	1	1984-	Fuel Accumulator	



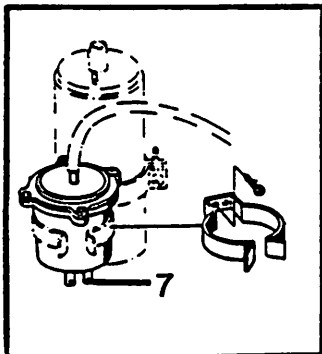
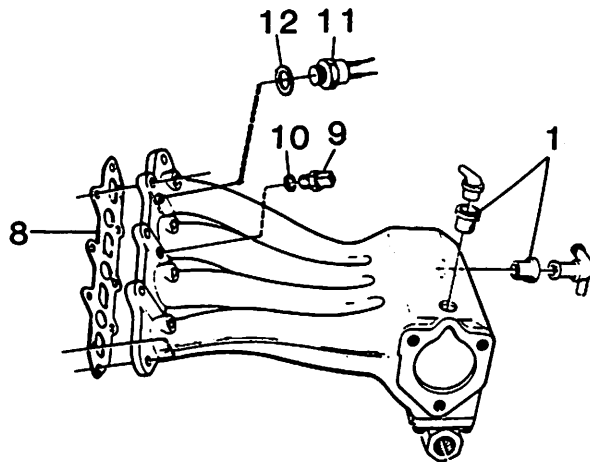
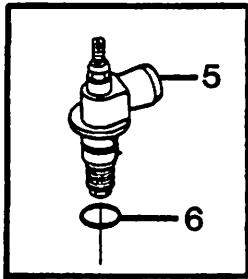
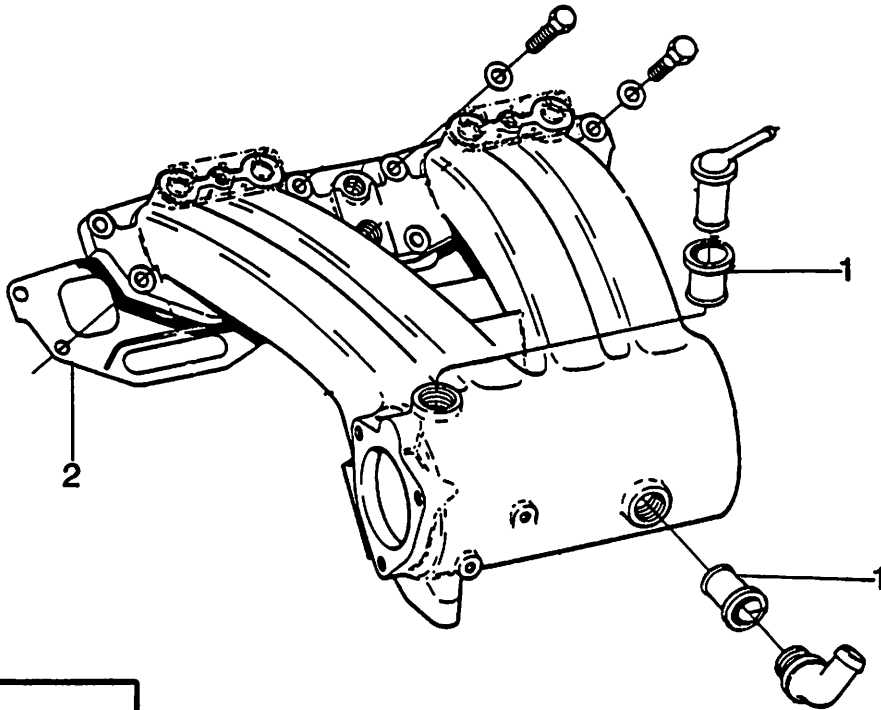
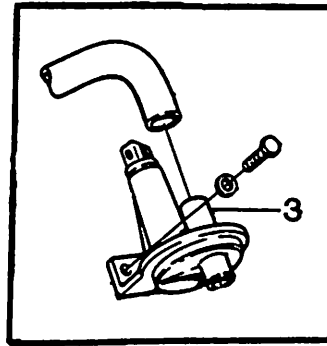
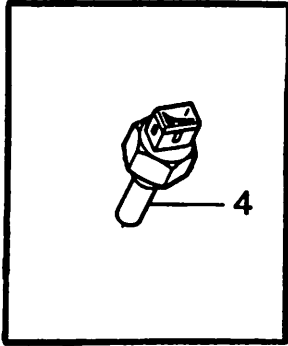
ENGINE				Group	Page
CIS Fuel Injection 1979-80				2	13
Pos.	Part No.	Qty.	Notes	Description	
1	02 09 288	1	Exchange Unit	Fuel Distributor	
1	02 09 270	1	Turbo and UC, Exchange Unit	Fuel Distributor	
2	93 15 177	1	• Valve Assy.	
3	75 11 413	1	•• O-Ring	
4	93 15 193	X	•• Shim 0, 1 mm	
4	93 15 201	X	•• Shim 0, 15 mm	
4	93 15 219	X	•• Shim 0, 3 mm	
4	93 15 227	X	•• Shim 0, 4 mm	
4	93 15 235	X	•• Shim 0, 5 mm	
5	93 15 243	1	•• O-Ring	
6	93 28 824	1	•• Sealing	
7	93 18 502	1	Air Filter Insert	
8	83 23 024	1	Gasket	
9	83 57 840	4	-1979	Injection Valve	
9	93 10 152	4	1980-	Injection Valve	
10	83 57 709	4	Bushing	
11	93 28 824	1	Sealing Ring	
12	83 24 030	2	Sealing Ring	
13	83 26 704	4	Sealing Ring	
14	83 24 022	2	UC and Turbo	Sealing Ring	
15	83 24 022	14	Sealing Ring	
16	83 57 857	1	Starting Valve	
17	81 09 548	1	O-Ring	
18	83 76 352	1	Turbo.	Gasket	
19	93 15 151	1	Sealing Ring	
20	83 62 998	1	-1979 UF	Warm-Up Regulator	
20	83 63 004	1	1979 UC, 1980	Warm-Up Regulator	
20	83 69 373	1	Turbo.	Warm-Up Regulator	



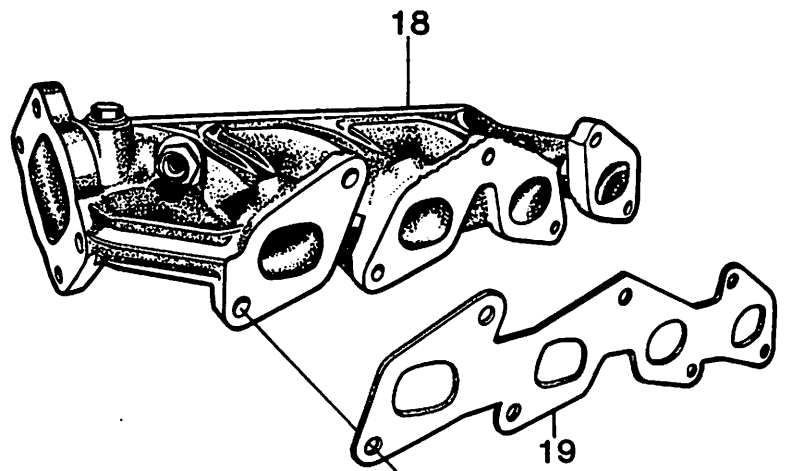
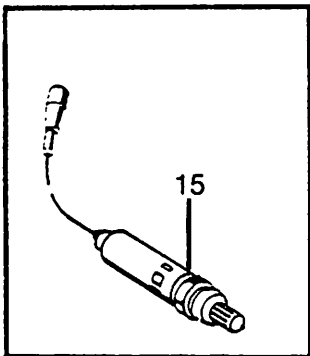
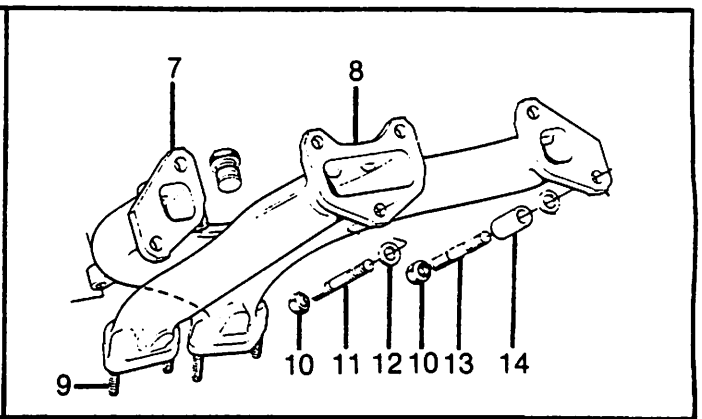
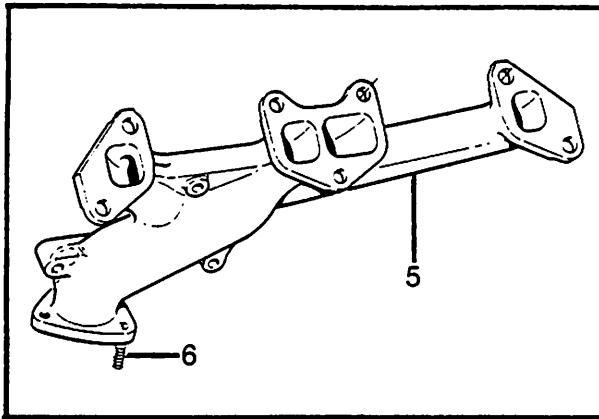
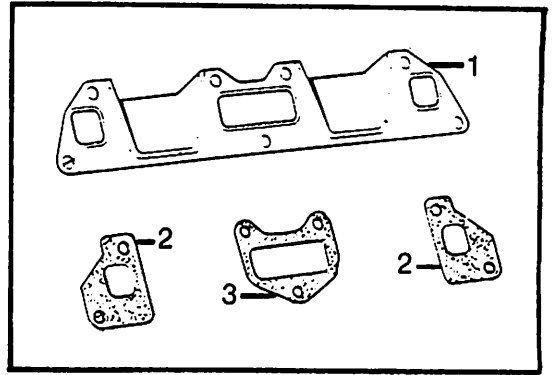
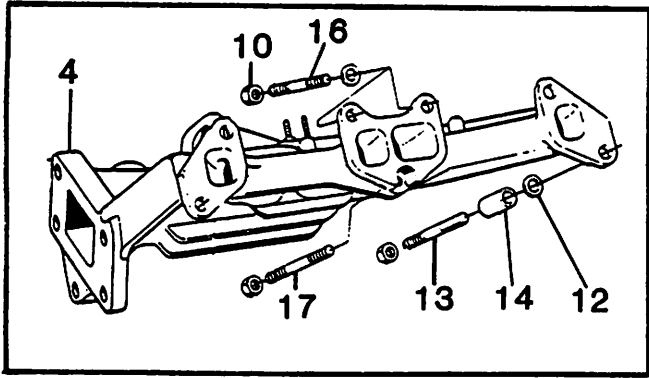
ENGINE				Group	Page
CIS Fuel Injection 1981-				2	14
Pos.	Part No.	Qty.	Notes	Description	
1	02 09 270	1	-1981, Exchange Unit	Fuel Distributor	
1	02 09 494	1	1982-,Exchange Unit	Fuel Distributor	
2	93 15 177	1	• Valve Assy.	
3	75 11 413	1	•• O-Ring	
4	93 15 193	X	•• Shim 0, 1 mm	
4	93 15 201	X	•• Shim 0, 15 mm	
4	93 15 219	X	•• Shim 0, 3 mm	
4	93 15 227	X	•• Shim 0, 4 mm	
4	93 15 235	X	•• Shim 0, 5 mm	
5	93 15 243	1	•• O-Ring	
6	93 28 824	1	Sealing	
7	83 23 024	1	Gasket	
8	93 10 152	4	Injection Valve	
9	83 57 709	4	Bushing	
10	93 28 824	1	Sealing Ring	
11	83 24 030	1	Sealing Ring	
12	83 26 704	4	Sealing Ring	
13	83 24 022	1	Sealing Ring	
14	93 28 824	12	Sealing Ring	
15	93 12 471	1	Starting Valve	
16	81 09 548	1	O-Ring	
17	93 15 151	1	Sealing Ring	
18	93 18 502	1	Air Filter Insert	
19	75 15 554	1	Warm-Up Regulator	
20	93 49 358	1	-1985.	Charcoal Canister	
20	75 32 054	1	1986-.	Charcoal Canister	



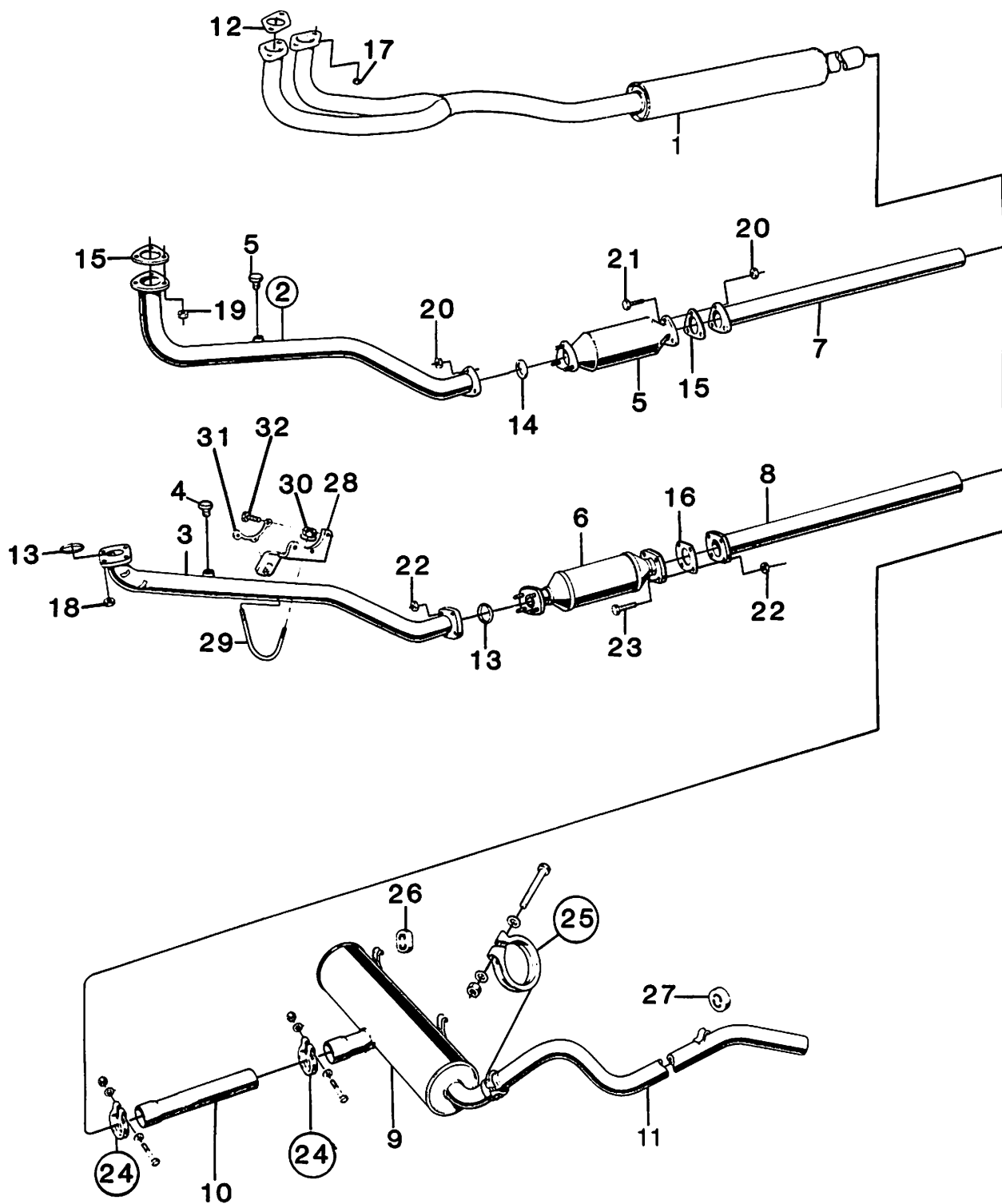
ENGINE				Group	Page
LH Fuel Injection B202				2	15
Pos.	Part No.	Qty.	Notes	Description	
1	02 71 486	1	Exchange Unit	Air Mass Meter	
2	79 74 306	1	O-Ring	
3	93 83 076	1	Plug	
4	02 71 452	1	-1986 Turbo, Exchange Unit	LH Electronic Unit	
4	02 71 494	1	1987- Turbo, Exchange Unit	LH Electronic Unit	
4	02 09 767	1	1986-I, Exchange Unit	LH Electronic Unit	
5	75 60 170	4	Turbo.	Injector	
5	75 60 162	4	I	Injector	
6	75 61 210	8	• O-Ring	
7	75 64 131	1	Turbo.	Pressure Regulator	
7	75 64 123	1	I	Pressure Regulator	
8	83 26 704	4	Seal Washer	
9	75 64 339	1	Hose	
10	75 14 722	1	Air Filter Insert	



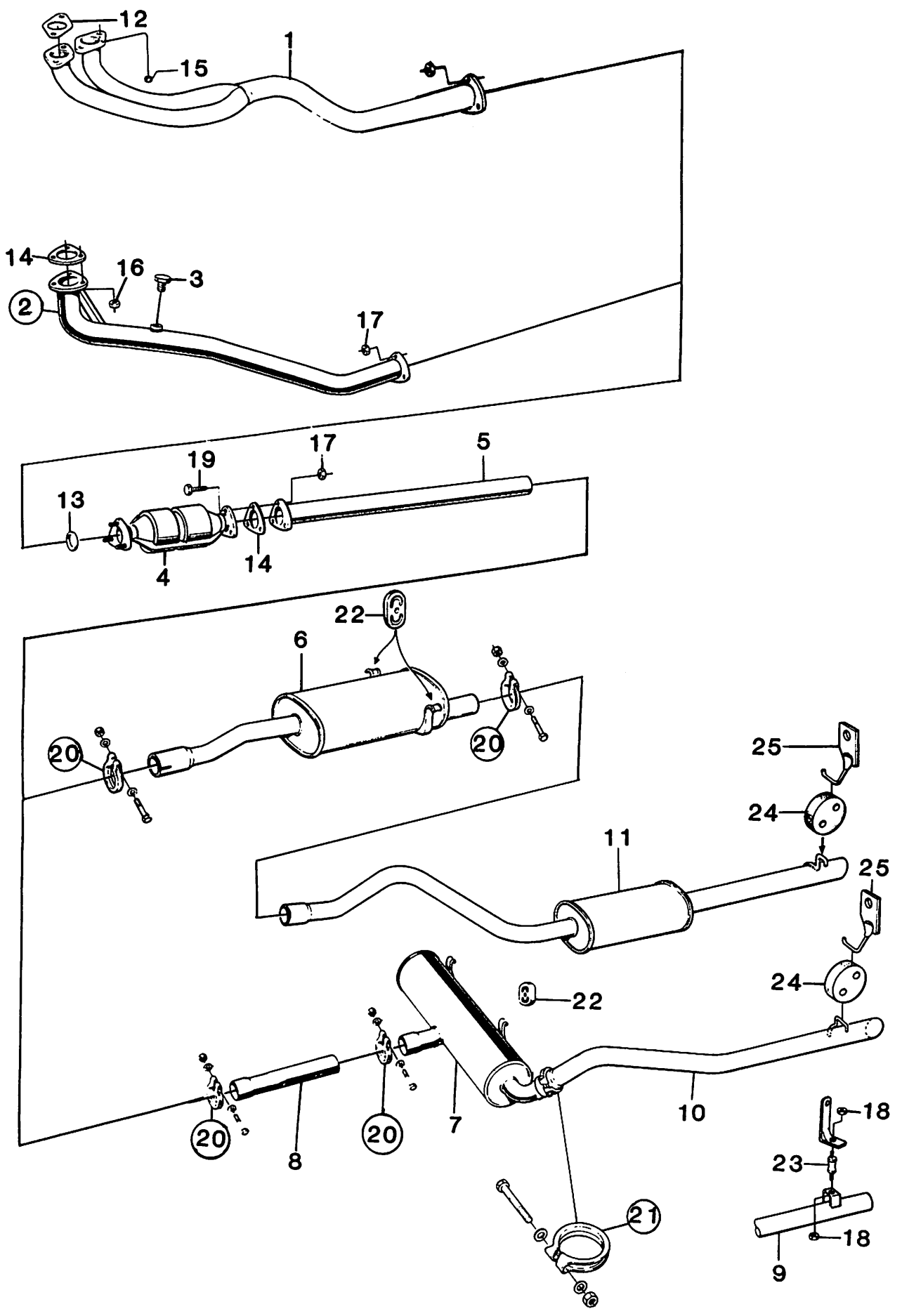
ENGINE				Group	Page
Intake Manifold				2	16
Pos.	Part No.	Qty.	Notes	Description	
1	75 15 208	2	Bushing	
2	83 48 518	1	1979 - 80	Gasket	
2	75 82 315	1	1981-	Gasket	
3	83 57 832	1	Auxiliary Air Regulator	
4	83 61 362	1	Thermo-Contact	
5	88 17 454	1	1979	Decel Valve	
6	80 48 837	1	1979	• O-Ring	
7	93 15 953	1	1979 - 80 I, 1981 - B201	Impulse Switch	
7	93 01 169	1	1979 - 80 Turbo	Impulse Switch	
8	75 15 885	1	B202	Gasket	
9	93 57 021	1	For LH Injection System	NTC Temp. Sensor	
10	83 26 704	1	Gasket	
11	75 19 416	1	For Upshift System.	Thermo-Contact	
12	81 24 141	1	Gasket	



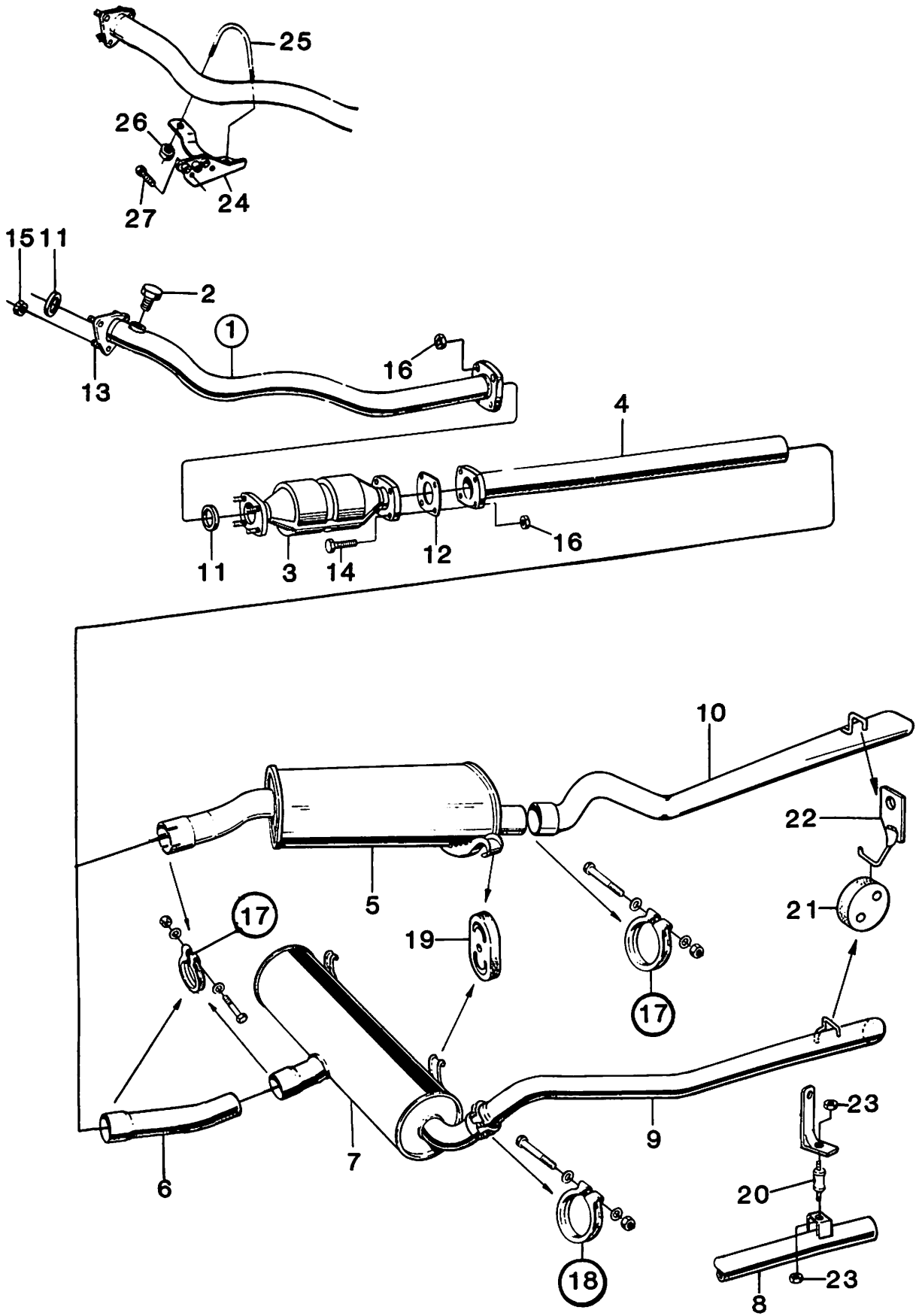
ENGINE				Group	Page
Exhaust Manifold				2	17
Pos.	Part No.	Qty.	Notes	Description	
1	83 56 933	1	Gasket	
2	83 61 842	2	Use with 83 56 933 on reassembly	Gasket	
3	83 61 859	1	Use with 83 56 933 on reassembly	Gasket	
4	83 66 569	1	Turbo 1979-80	Exhaust Manifold	
4	93 53 715	1	Turbo 1981 - 1984	Exhaust Manifold	
5	83 61 990	1	1979 UC, 1980-	Exhaust Manifold	
6	80 00 440	3	Stud	
7	83 56 461	1	1979 UF with EGR	Exhaust Manifold, Outer	
8	83 57 600	1	1979 UF with EGR	Exhaust Manifold, Inner	
9	83 60 943	4	Stud	
10	93 06 820	7	Lock Nut	
11	75 19 010	3	Stud	
12	13 24 144	7	Washer	
13	93 50 588	4	Stud	
14	93 06 812	4	Spacer	
15	75 30 140	1	-1985 B201	Lambda Sensor	
15	75 34 795	1	1986- B201	Lambda Sensor	
15	75 25 603	1	1985 B202 Turbo	Lambda Sensor	
15	93 92 762	1	1986- B202	Lambda Sensor	
16	75 19 010	2	Stud	
17	93 06 796	1	Stud	
18	75 16 107	1	B202 Turbo 1985	Exhaust Manifold	
18	75 16 115	1	B202 Turbo 1986-	Exhaust Manifold	
19	75 18 996	1	B202	Gasket	



ENGINE				Group	Page
Exhaust System 1979 - 80				2	18
Pos.	Part No.	Qty.	Notes	Description	
1	93 61 817	1	1979 UF	Muffler Front	
2	83 39 863	1	-1979 UC.	Exhaust Pipe Front	
2	75 14 250	1	1980-	Exhaust Pipe Front	
3	93 00 773	1	-1979 Turbo.	Exhaust Pipe Front	
3	93 30 531	1	1980- Turbo.	Exhaust Pipe Front	
4	93 25 952	1	• Plug	
5	93 31 406	1	UC	Catalytic Reactor	
6	83 38 352	1	Turbo	Catalytic Reactor	
7	83 28 759	1	UC	Exhaust Pipe Center	
8	83 35 283	1	Turbo	Exhaust Pipe Center	
9	75 33 631	1	I	Muffler Rear	
9	75 35 388	1	Turbo	Muffler Rear	
10	75 33 623	1	I	Exhaust Pipe	
10	75 35 370	1	Turbo	Exhaust Pipe	
11	93 17 405	1	Exhaust Pipe Rear	
11	93 03 322	1	Turbo	Exhaust Pipe Rear	
12	83 87 672	2	Gasket	
13	93 16 407	2	Turbo	Seal Ring	
14	83 28 726	1	UC	Seal Ring	
15	83 87 052	2	UC	Gasket	
16	83 34 963	1	Turbo	Gasket	
17	79 67 870	4	Nut	
18	79 65 767	4	Nut	
19	79 70 296	3	UC	Nut	
20	80 74 106	6	UC	Nut	
21	80 83 941	3	UC	Screw	
22	80 74 106	8	Turbo	Nut	
23	80 83 941	4	Turbo	Screw	
24	83 86 450	2	I	Clamp Assy.	
24	83 36 406	2	Turbo	Clamp Assy.	
25	83 84 323	1	I	Clamp Assy.	
25	83 36 422	1	Turbo	Clamp Assy.	
26	93 28 105	2	Rubber Suspension	
27	83 70 207	1	Rubber Suspension	
28	75 14 169	1	Turbo	Stay	
29	93 17 058	1	Turbo	Clamp	
30	79 67 953	2	Turbo	Nut	
31	75 14 631	1	Turbo	Lock Plate	
32	80 82 992	3	Turbo	Screw	



ENGINE				Group	Page
Exhaust System 1981- Naturally Aspirated				2	19
Pos.	Part No.	Qty.	Notes	Description	
1	93 64 407	1	1986- B202 I	Exhaust Pipe Front	
2	75 14 250	1	B201I.	Exhaust Pipe Front	
3	93 25 952	1	Part of 75 14 250	• Plug	
4	93 32 461	1	B201I	Catalytic Reactor	
4	75 33 797	1	B202 I	Catalytic Reactor	
5	93 33 840	1	B201I	Exhaust Pipe Center	
5	75 33 904	1	B202I.	Exhaust Pipe Center	
6	93 49 143	1	B202 I	Muffler Center	
7	75 33 631	1	B201I	Muffler Rear	
8	75 33 623	1	B201I	Exhaust Pipe	
9		1	-D1008081, -D2003192 See MS 209	Exhaust Pipe Rear	
10	93 65 727	1	B201I, D1008082-, D2003193-, -G2021146-, G3015680-, G7024051-	Exhaust Pipe Rear	
10	75 36 097	1	B201I, G2021147-, G3015681-, G7024052-	Exhaust Pipe Rear	
11	93 49 176	1	B202 I, -G2021146, -G3015680, -G7024051	Muffler Rear	
11	75 36 196	1	B202I, -G2021147-, G3015681-, G7024052-	Muffler Rear	
12	93 68 572	2	Gasket	
13	83 28 726	1	Seal Ring	
14	83 87 052	2	Gasket	
15	79 67 870	4	Nut	
16	79 70 296	3	Nut	
17	80 74 106	6	Nut	
18	79 65 775	2	-D1008081, -D2003192	Nut	
19	79 67 789	3	Screw	
20	83 86 450	2	Clamp Assy.	
21	83 84 323	1	Clamp Assy.	
22	93 28 105	2	Rubber Suspension	
23	93 36 215	1	-D1008081, -D2003192	Rubber Suspension	
24	93 65 404	1	D1008082-, D2003192-	Rubber Suspension	
25	93 68 093	1	D1008081-, D2003192-, -G2021146, -G3015680, -G7024051	Suspension Yoke	
25	75 38 440	1	-G2021146, -G3015680, -G7024051 When Using Muffler 75 36 196	Mounting Kit	



ENGINE

Exhaust System 1981- Turbo

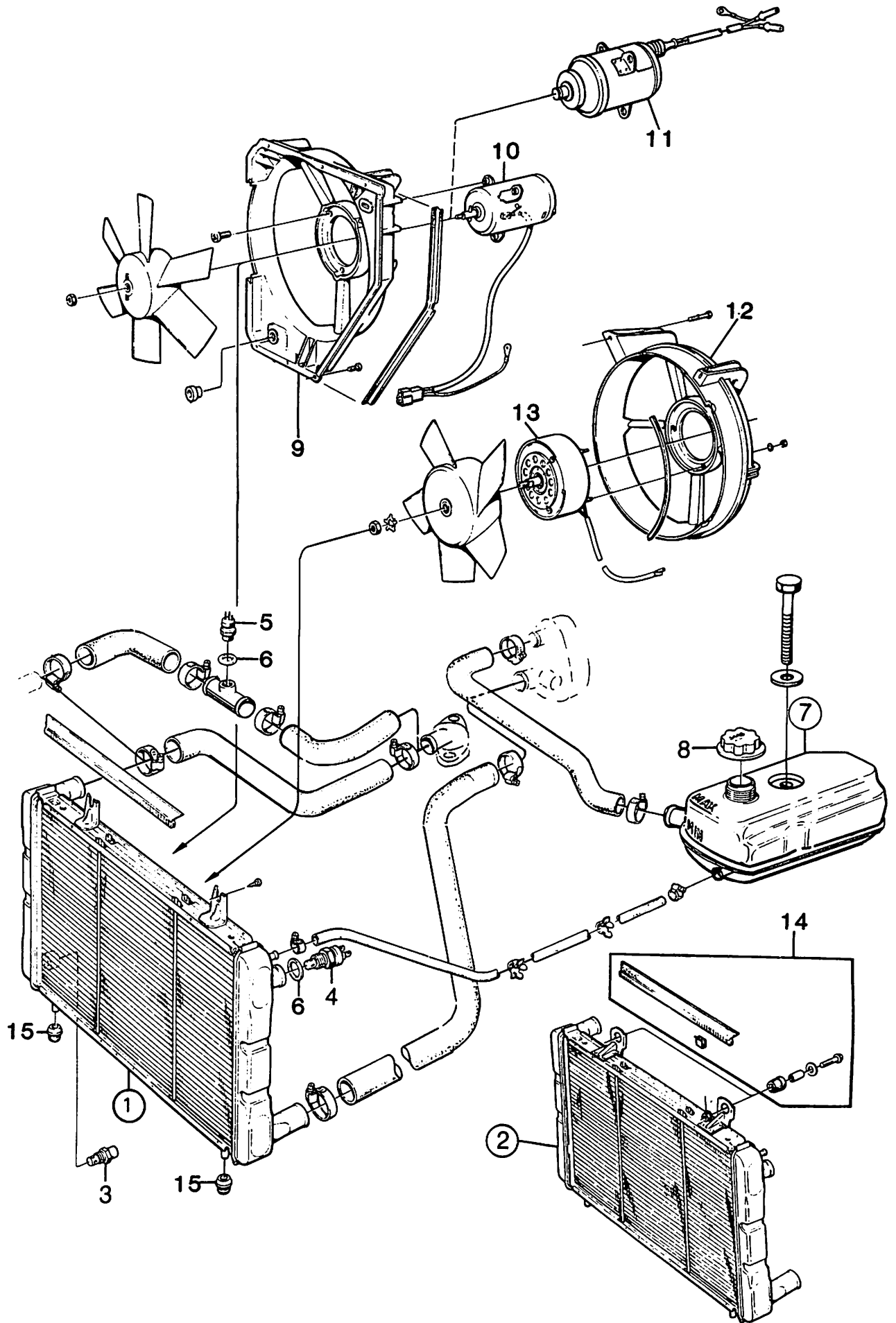
Group

2

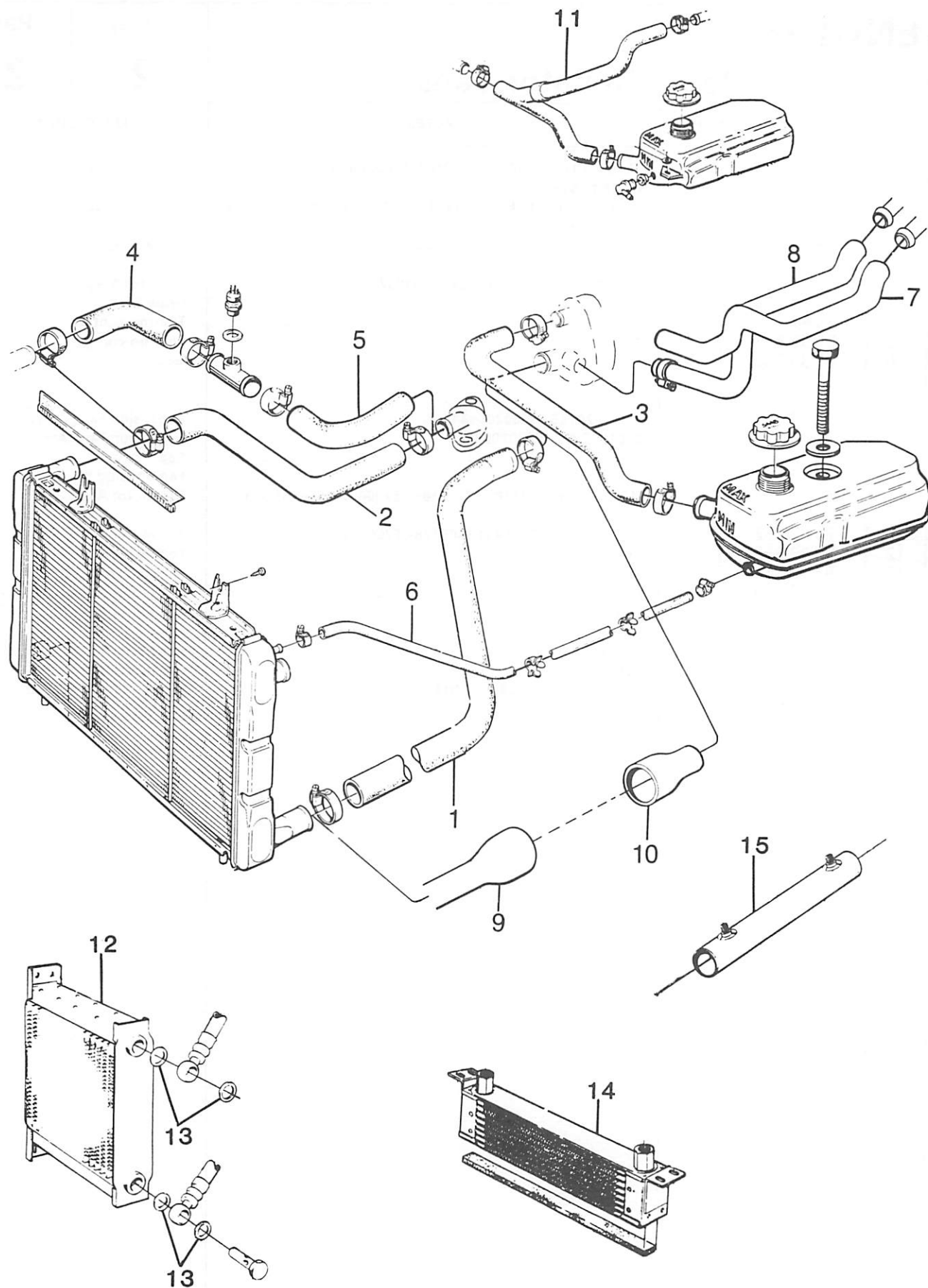
Page

20

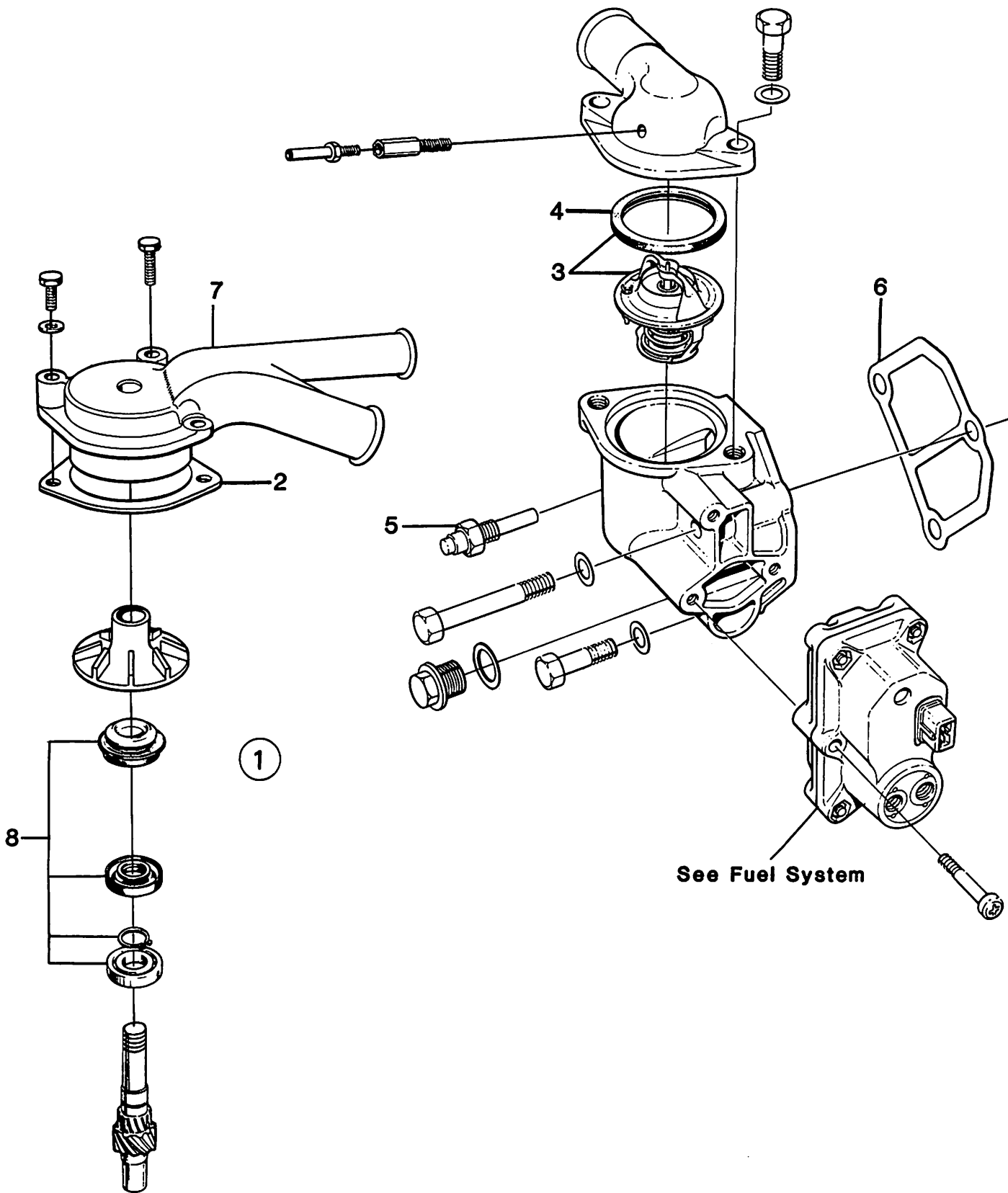
Pos.	Part No.	Qty.	Notes	Description
1	93 34 046	1	Exhaust Pipe Front
2	93 25 952	1	-1983	• Plug
3	93 46 990	1 (93 32 453)	Catalytic Reactor
3	75 25 892	1	1985-8202	Catalytic Reactor
4	93 33 857	1	Exhaust Pipe, Center
5	93 49 192	1	1984-	Muffler
6	75 35 370		-1983	Exhaust Pipe
7	75 35 388		-1983	Muffler, Rear
8		1	-D1008081, -D2003192, This Design not Available See MS 205	Exhaust Pipe, Rear
9	93 65 735	1	D1008012-, D2003193-	Exhaust Pipe, Rear
10	75 12 254	1	1984- -G2021146, -G3015680, -G7024051, See MS 322 . . .	Exhaust Pipe, Rear
10	75 35 925	1	G2021147-, G3015681-, G7024052-	Exhaust Pipe, Rear
11	93 16 407	2	Seal Ring
12	83 34 963	1	Gasket
13	83 67 856	3	Screw
14	79 67 789	4	Screw
15	79 65 767	3	Nut
16	80 74 106	8	Nut
17	83 36 406	1	1984-	Clamp Assy.
17	83 36 406	2	-1983	Clamp Assy.
18	83 36 422	1	-1983	Clamp Assy.
19	93 28 105	2	Rubber Suspension
20	93 36 215	1	-D1008081, -D2003192	Rubber Suspension
21	93 65 404	1	D1008012-, D2003192-	Rubber Suspension
22	93 68 093	1	D1008012-, D2003192-, G2021146, -G3015680, -G7024051. .	Suspension Yoke
22	75 38 440	1	1984- G2021146, -G3015680, -G7024051 Use with Pipe 75 35 925	Mounting Bracket Kit
23	79 65 775	2	-D1008081, -D2003192	Nut
24	75 26 916	1	Bracket Assy.
25	93 17 058	1	Clamp
26	79 65 767	2	Nut
27	80 82 968	2	Screw



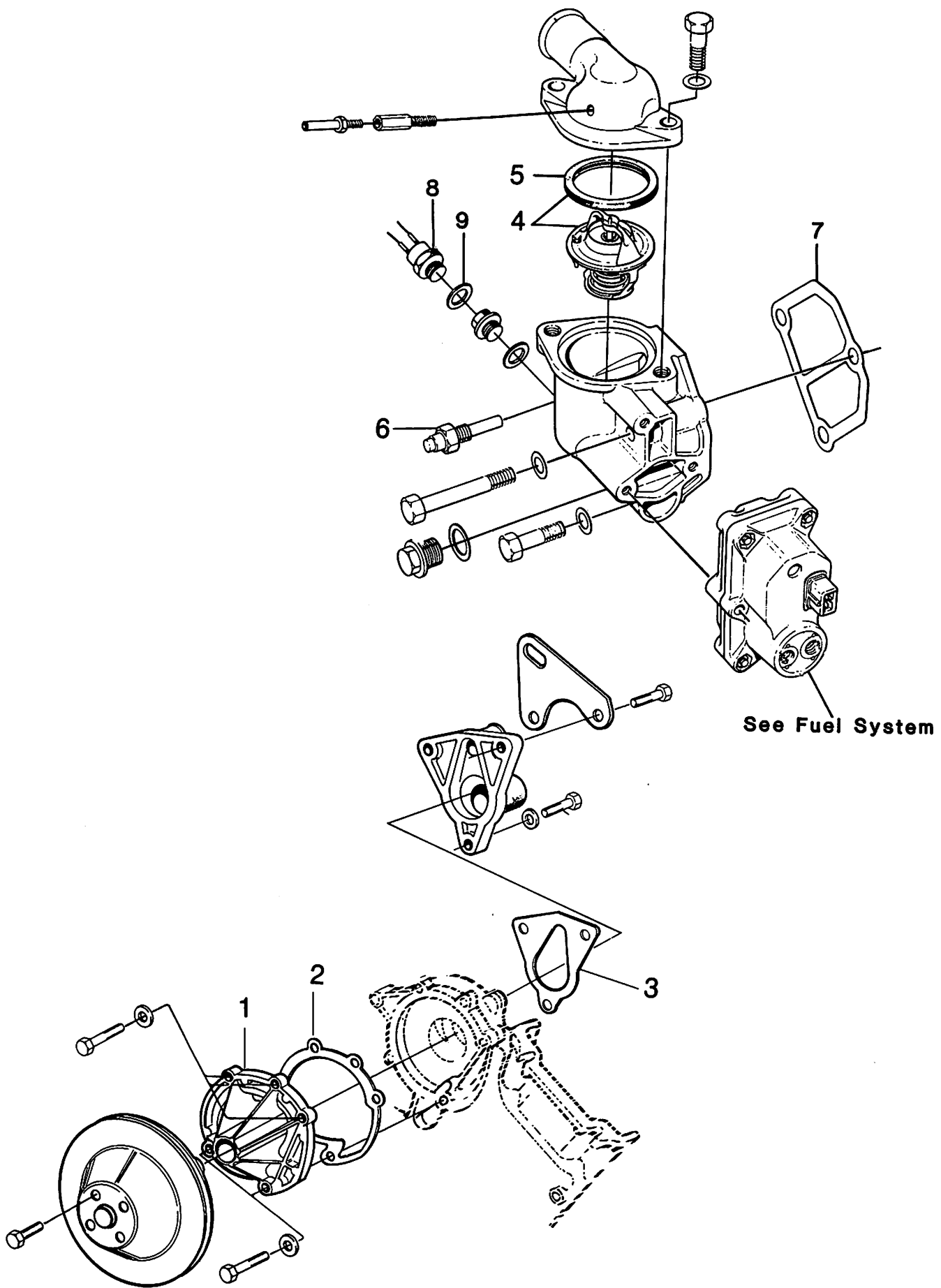
ENGINE				Group	Page
Cooling System - Radiator, Fans				2	21
Pos.	Part No.	Qty.	Notes	Description	
1	88 17 488	1	I, -E1030101, -E2014453, -E7010321, Requires Mounting Kit 86 17 579	Radiator Assy.	
1	88 17 496	1	Turbo, -E1030101, -E2014453, -E7010321, Requires Mounting Kit 86 17 579	Radiator Assy.	
2	88 17 488	1	I, E1030102-, E2014454-, E7010322-	Radiator Assy.	
2	88 17 496	1	Turbo, E1030102-, E2014454-, E7010322-	Radiator Assy.	
3	93 18 304	1	Drain Cock	
4	85 69 238	1	Thermo-contact	
5	95 52 878	1	AC.	Thermo-contact	
6	83 30 268	1	Gasket	
7	83 39 483	1	-90801029786, -90802008843	Expansion Tank Assy.	
7	93 63 557	1	90801029787-, 90802008844-	Expansion Tank Assy.	
8	75 77 323	1	Cap	
9	83 19 931	1	I	Fan Housing RH	
10	85 10 562	1	-E1015927, -E2007178, -E3006186, -E7004070 See MS 311.	Fan Motor Assy.	
11	75 42 772	1	E1015928-, E2007179-, E3006178-, E7004071-	Fan Motor Assy.	
12	83 37 859	1	Turbo.	Fan Housing RH	
12	83 37 859	1	AC.	Fan Housing LH	
13	85 82 694	1	-1984 Turbo	Fan Motor Assy.	
13	85 94 764	1	1985- Turbo	Fan Motor Assy.	
13	85 82 728	1	-1984 AC.	Fan Motor Assy.	
13	85 94 806	1	1985- AC.	Fan Motor Assy.	
14	88 17 579	1	E1030102-, E2014454-, E7010322-	Mounting Kit Radiator	
15	83 39 657	2	Rubber Bushing	



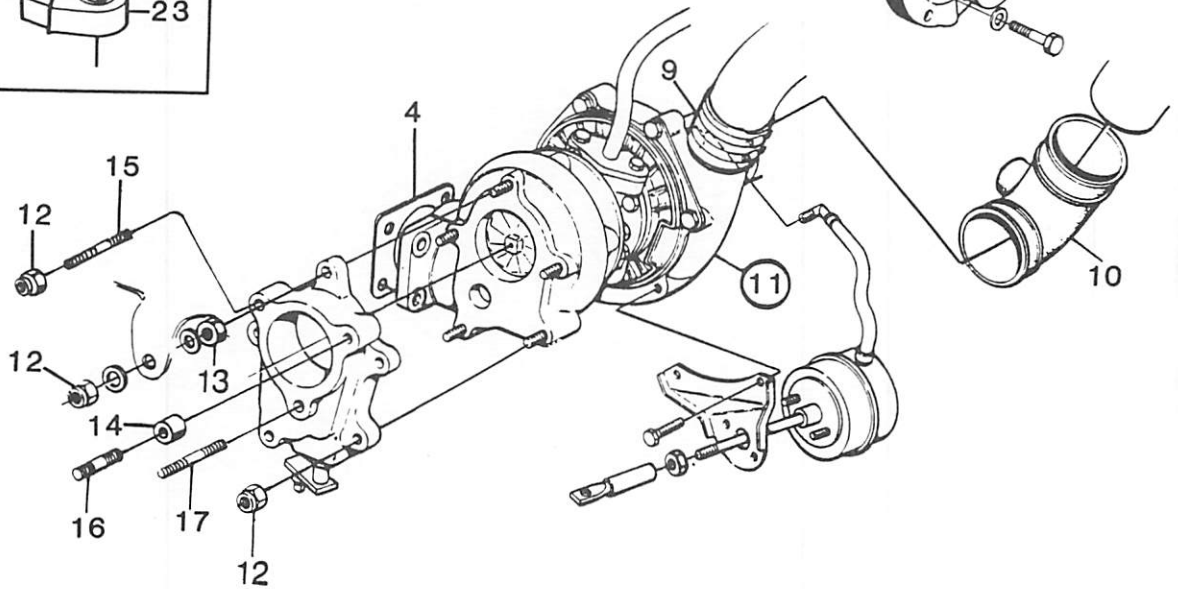
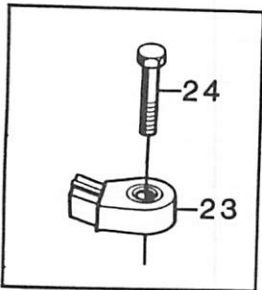
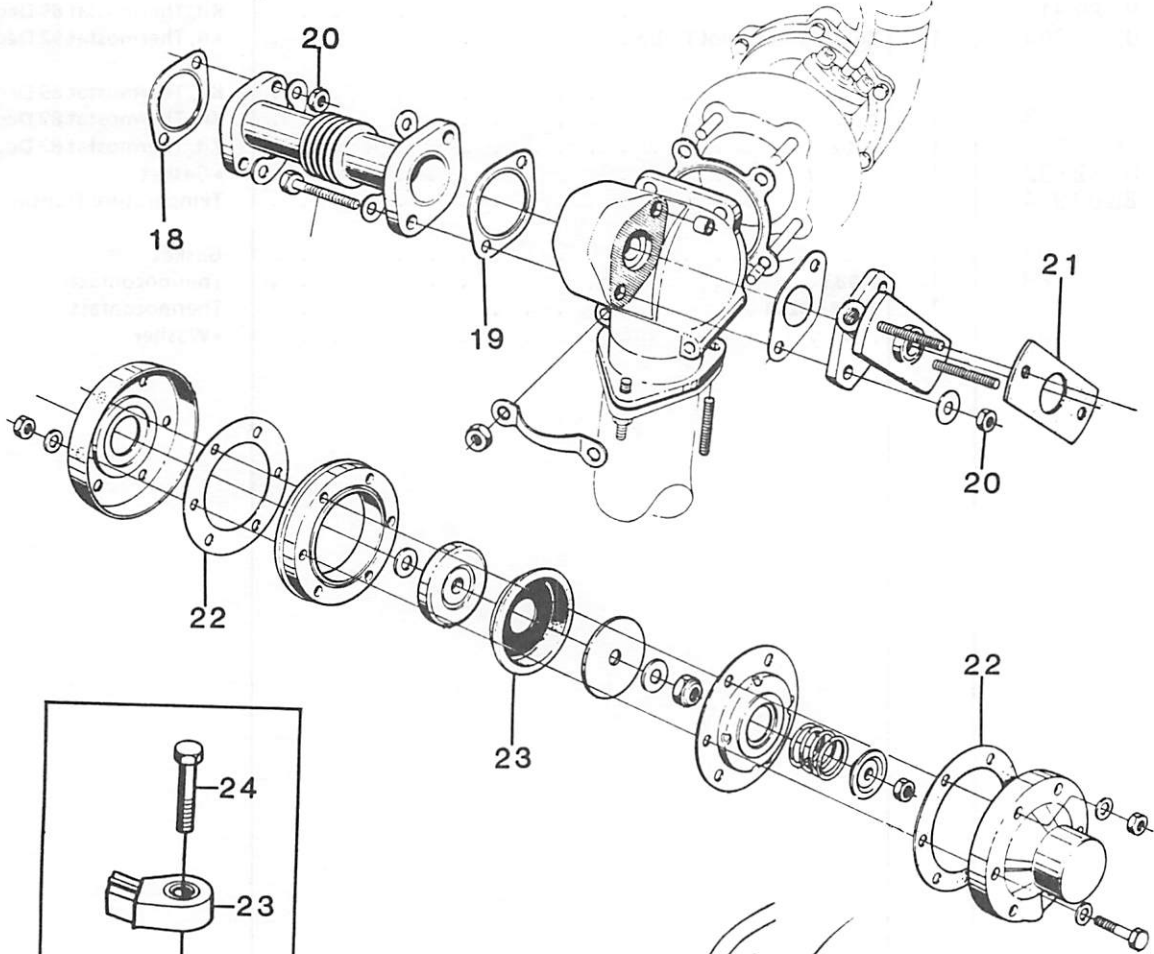
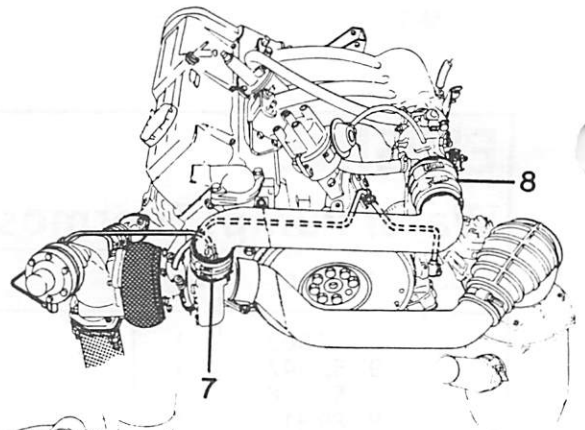
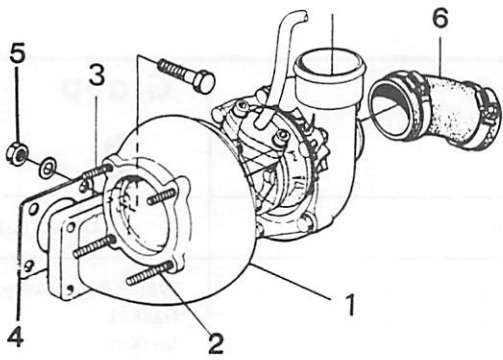
ENGINE				Group	Page
Cooling System - Hoses and Oil Coolers				2	22
Pos.	Part No.	Qty.	Notes	Description	
1	93 01 607	1	-1980	Lower Radiator Hose	
1	93 64 795		1981-.	Lower Radiator Hose	
1	75 12 817	1	B202	Lower Radiator Hose	
2	93 01 599	1	-1980 w/o AC	Upper Radiator Hose	
2	75 40 420	1	1981- w/o AC	Upper Radiator Hose	
3	93 49 382	1	1981-.	Hose	
4	93 03 793	2	-1980 Turbo, AC.	Upper Radiator Hose	
4	75 43 259	1	1981- B201 AC	Upper Radiator Hose	
4	93 68 499	1	1985 B202	Upper Radiator Hose	
4	75 46 179	1	1986- B202	Upper Radiator Hose	
5	93 32 800	1	1981-1983, AC	Upper Radiator Hose	
5	75 43 259	1	1984- B201 AC	Upper Radiator Hose	
5	93 69 943	1	-1985 B202	Upper Radiator Hose	
5	75 46 161	1	1986- B202	Upper Radiator Hose	
6	93 30 515	1	Expansion Tank Hose	
7	93 05 004	1	-1980	Heater Hose	
7	93 24 666	1	1981-.	Heater Hose	
8	93 24 609	1	1981-.	Heater Hose	
8	75 41 527	1	B202	Heater Hose	
9	93 01 359	1	-1980 w/ Water Oil Cooler.	Lower Radiator Hose	
9	93 23 536	1	1981-, -D1002778, -D2009799-, w/Water Oil Cooler	Lower Radiator Hose	
9	75 11 090	1	D1002779-, D2009799-, w/Water Oil Cooler	Lower Radiator Hose	
10	93 01 367	1	-1980 w/Water Oil Cooler.	Lower Radiator Hose	
10	93 23 544	1	1981-, -D1002778, -D2009798, w/Water Oil Cooler	Lower Radiator Hose	
10	93 63 615	1	D1002779-, D2009799-, w/Water Oil Cooler	Lower Radiator Hose	
11	93 39 896	1	-1980	Hose	
12	93 01 482	1	-1984 Turbo	Engine Oil Cooler	
13	83 26 712	4	Seal Washer	
14	75 13 450	1	1985- Turbo	Engine Oil Cooler	
14	75 40 289	1	1985- Turbo A	Transmission Oil Cooler	
15	93 03 702	1	1979-1980 A.	Transmission Oil Cooler	
15	93 62 997	1	1981- B201 A, 1986- B202I A	Transmission Oil Cooler	



ENGINE				Group	Page
Water Pump, Thermostat 1979-80				2	23
Pos.	Part No.	Qty.	Notes	Description	
1	83 67 674	1	Water Pump Assy.	
2	83 46 090	1	Gasket	
3	83 89 512	1	Kit, Thermostat 89 Degrees C	
3	93 20 284	1	Cold Markets, Not Turbo	Kit, Thermostat 92 Degrees C	
3	93 37 551	1	Kit, Thermostat 82 Degrees C	
4	83 52 692	1	Gasket	
5	88 00 914	1	Temperature Transmitter	
6	75 61 202	1	Gasket	
7	83 69 860	1	Pump Cover	
8	93 37 536	1	Repair Kit, Water Pump	

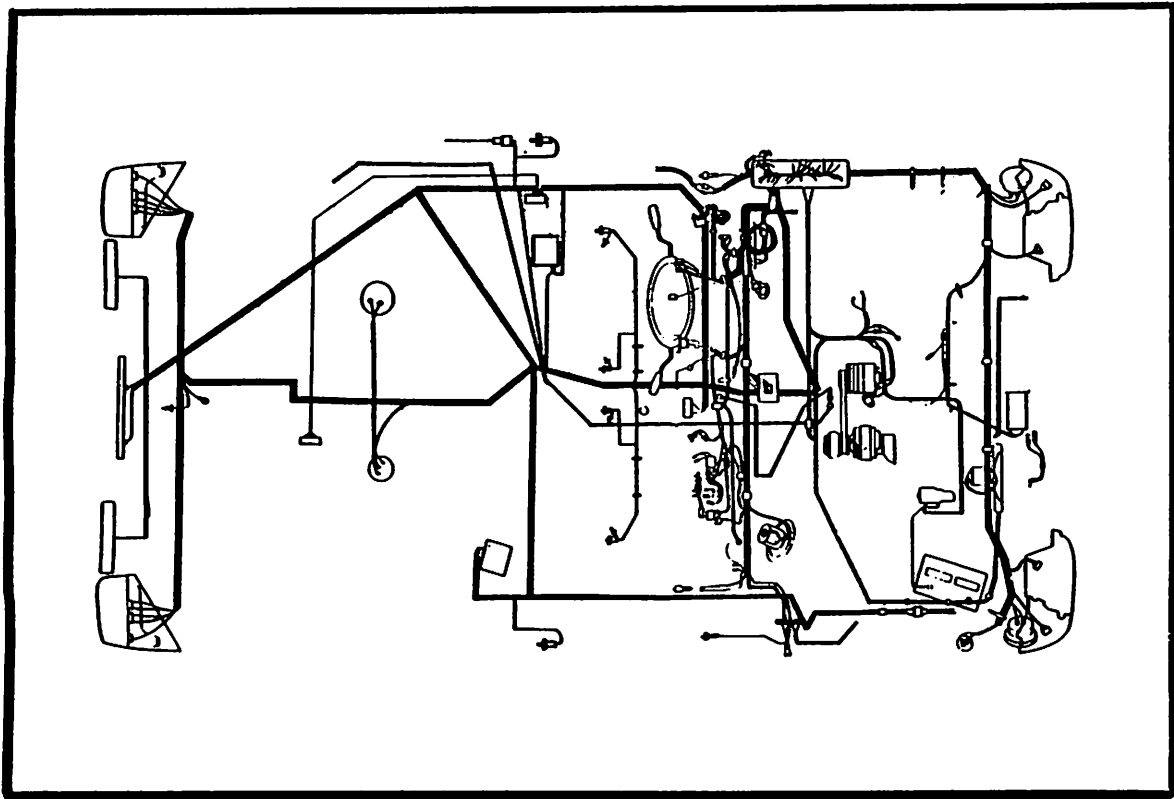


ENGINE				Group	Page
Water Pump, Thermostat 1981-				2	24
Pos.	Part No.	Qty.	Notes	Description	
1	88 17 900	1	Water Pump Assy.	
2	93 53 442	1	Gasket	
3	93 54 978	1	Gasket	
4	83 89 512	1	Kit, Thermostat 89 Degrees C	
4	93 20 284	1	Cold Markets, Not Turbo	Kit, Thermostat 92 Degrees C	
4	93 37 551	1	Kit, Thermostat 89 Degrees C	
4	88 17 298	1	B202	Kit, Thermostat 89 Degrees C	
4	88 17 538	1	B202	Kit, Thermostat 82 Degrees C	
5	83 52 692	1	• Gasket	
6	88 00 914	1	Temperature Transmitter	
7	75 61 202	1	Gasket	
8	93 14 188	1	-1983	Thermocontact	
8	75 06 322	1	1984-, B201	Thermocontact	
9	81 24 141	1	• Washer	

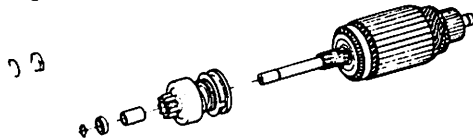
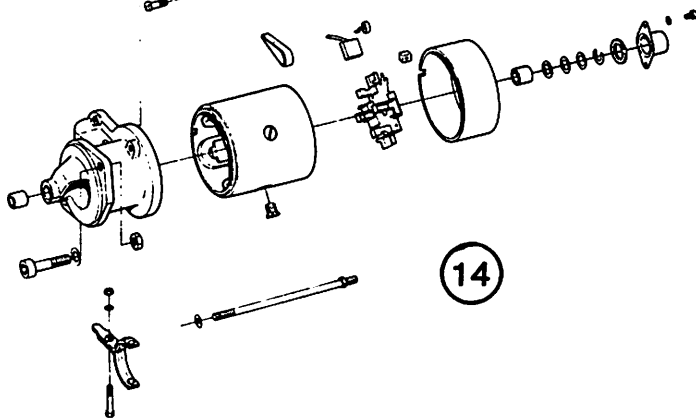
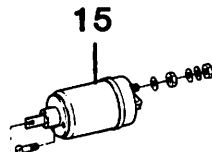
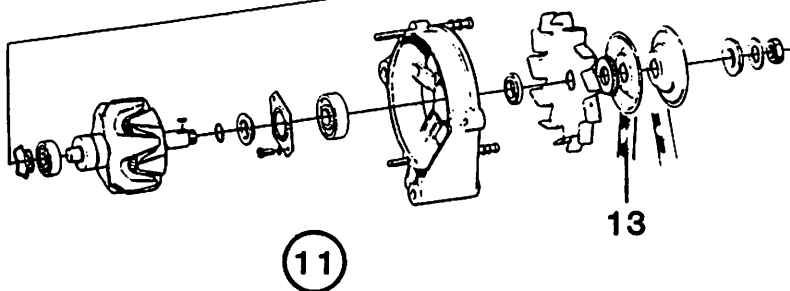
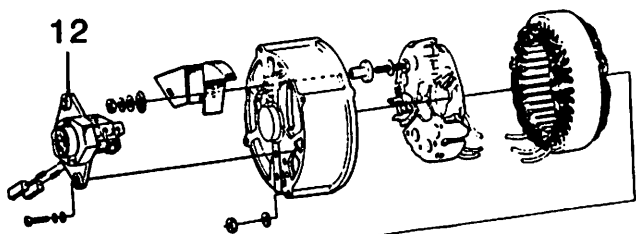
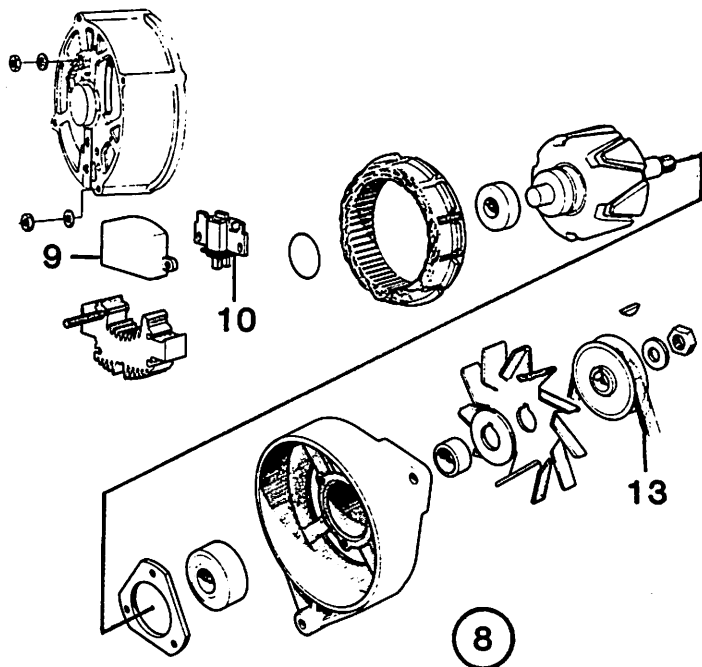
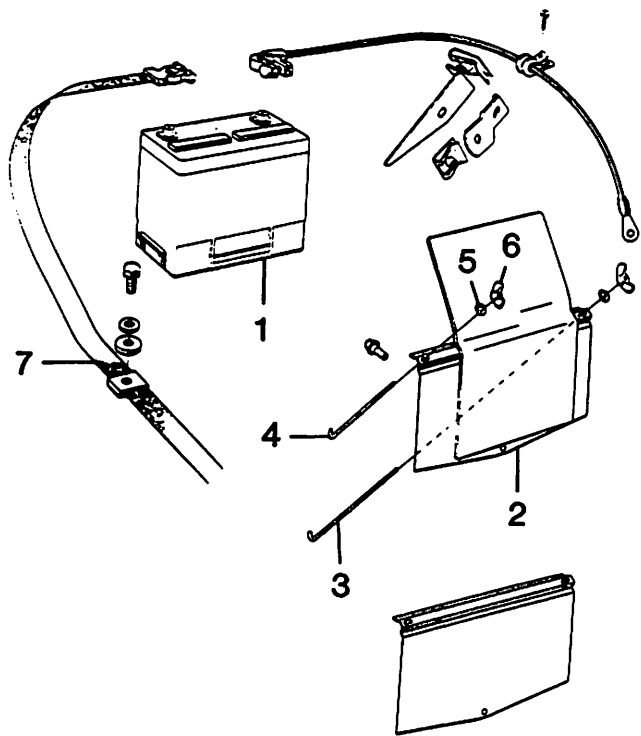


ENGINE				Group	Page
Turbocharger				2	25
Pos.	Part No.	Qty.	Notes	Description	
1	02 09 502	1	1979-1980, Exchange Unit	Turbocharger	
2	27 39 563	2	• Stud	
3	75 20 190	2	-1980	• Stud	
4	83 66 262	1	Gasket	
5	80 29 779	4	-1980	Nut	
6	83 30 920	1	-1980	Hose	
7	83 67 187	1	-1984	Hose	
8	83 67 179	1	-1984	Hose	
9	75 29 027	1	1981-1984	Hose	
10	75 28 995	1	1985-	Hose	
11	02 09 544	1	1981-1982½ Non-APC, Exchange Unit	Turbocharger w/wastegate	
11	02 09 627	1	1982½-1984 APC, Exchange Unit.	Turbocharger w/wastegate	
11	02 09 726	1	1985- B202, Exchange Unit	Turbocharger w/wastegate	
12	75 19 432	5	1981-	• Lock Nut	
13	80 74 106	1	1981- Eng.-B20E33608	Nut	
14	83 67 864	1	1981-	Sleeve	
15	75 20 216	1	1981-	Stud	
16	75 20 190	1	1981-	Stud	
17	75 20 208	1	1981-	Stud	
18	83 66 924	1	-1980	Gasket	
19	83 66 916	1	-1980	Gasket	
20	93 06 820	4	-1980	Lock Nut	
21	83 69 019	1	-1980	Gasket	
22	93 11 929	2	-1980	Gasket	
23	93 51 214	1	-1982	Knock Sensor	
23	93 58 037	1	1983-1986, See MS 314	Knock Sensor	
23	75 68 801	1	New Design, requires 81 25 197	Knock Sensor	
24	75 62 168	1	Use with 93 58 037.	Bolt	
24	81 25 197	1	Use with 75 68 801	Bolt	

ELECTRICAL



GROUP 3



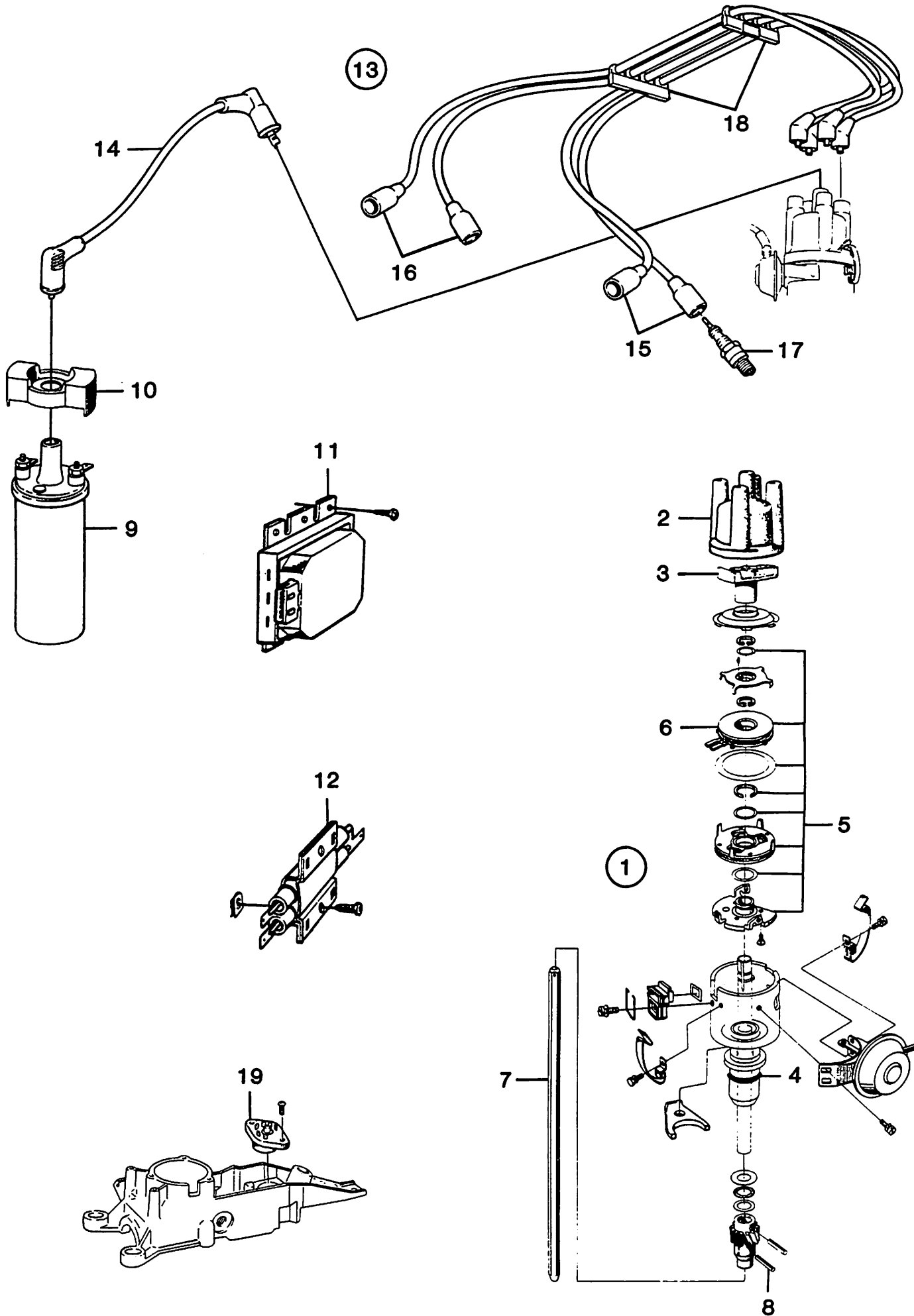
ELECTRICAL

Battery, Alternator, Starter

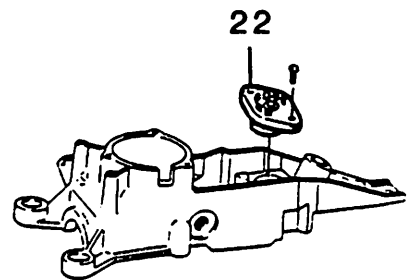
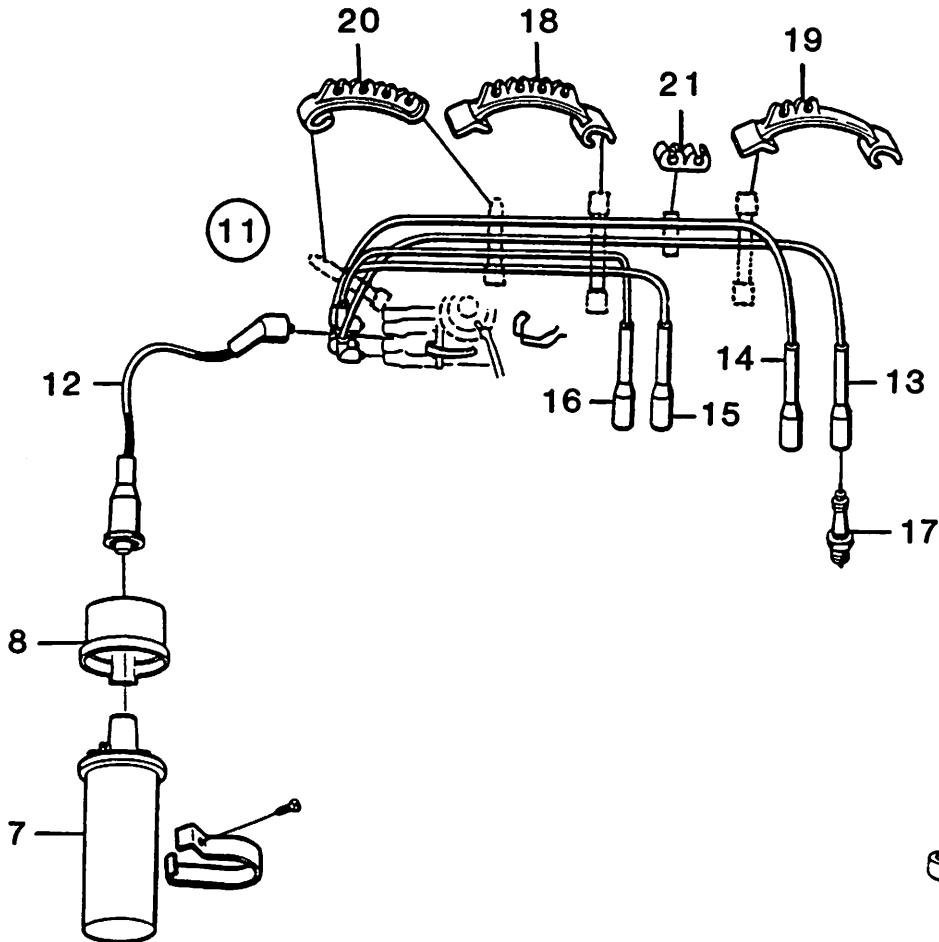
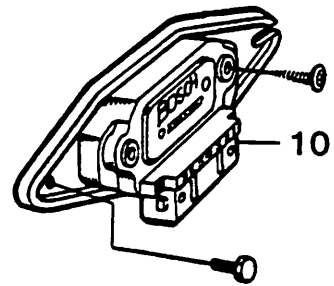
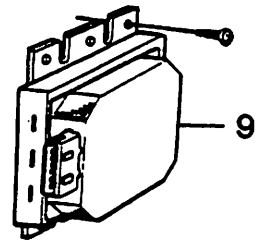
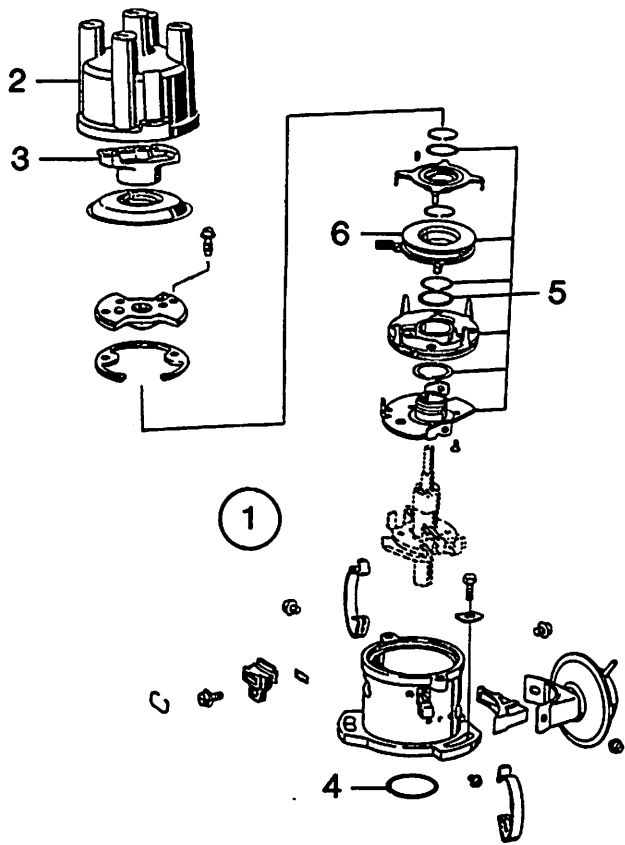
Group
3

Page
1

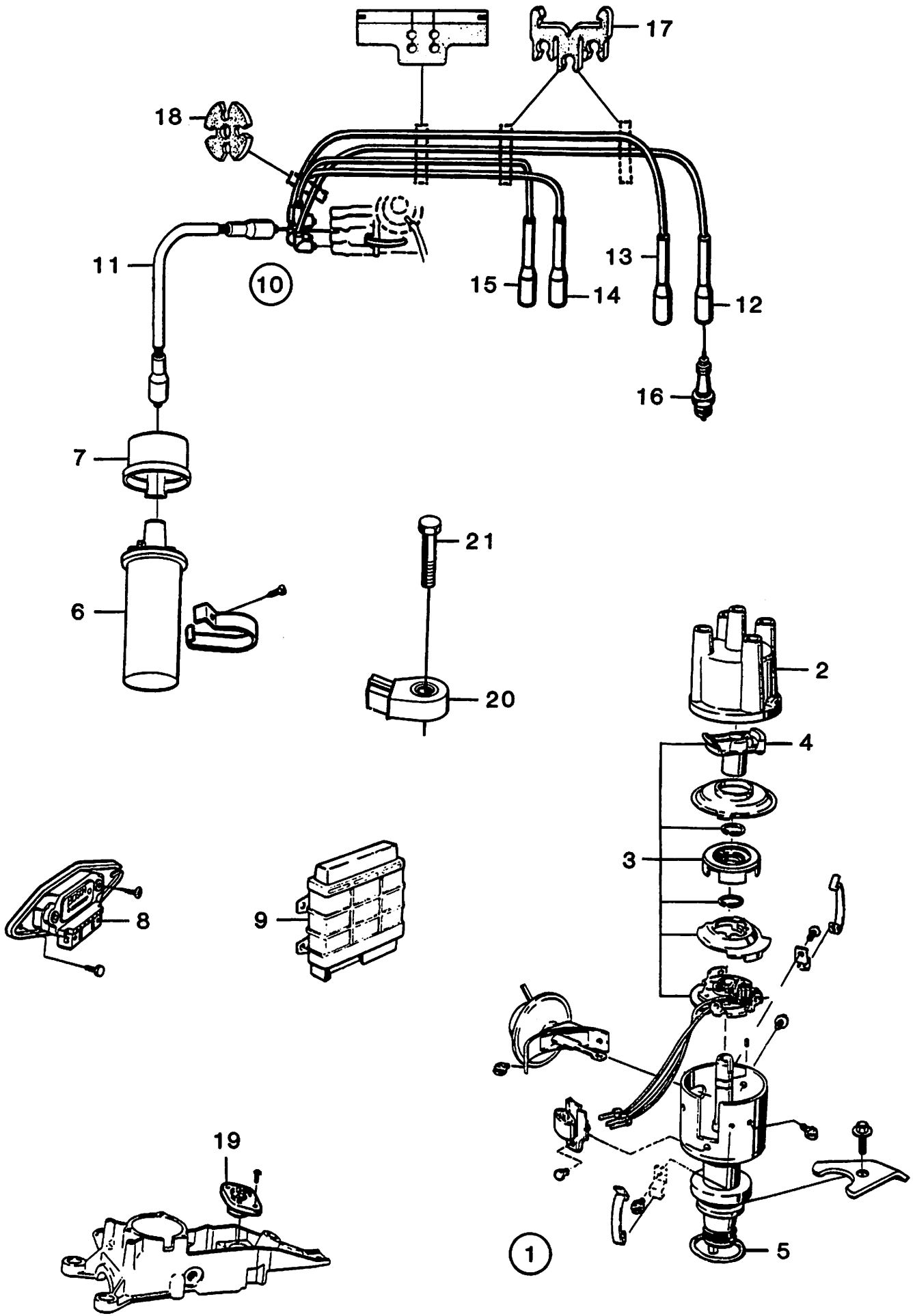
Pos.	Part No.	Qty.	Notes	Description
1	02 71 262	1	Battery
2	85 51 582	1	Heat Shield
2	85 94 897	1	Turbo	Heat Shield
3	85 72 737	1	Hook, Rear
4	85 72 745	1	Hook, Front
5	79 15 564	2	Washer
6	79 70 460	2	Wing Nut
7	85 94 152	1	Ground Cable
8	85 57 043	1	1979 - 80	Alternator Assy. 70A Motorola
9	85 59 619	1	• Charging Regulator
10	85 52 432	1	• Brush Unit, Set
11	02 09 536	1	1981-83, Exchange Unit	Alternator Assy. 70A Bosch
11	02 09 007	1	1984-, Exchange Unit	Alternator Assy. 80A Bosch
12	85 71 846	1	1981 - 83.	• Charging Regulator
12	85 90 549	1	1984-	• Charging Regulator
13	83 84 927	1	1979 - 80.	V-Belt
13	93 41 314	1	1981, For Belt Pulley Diameter 67 MM	V-Belt
13	83 84 927	1	1981 - 83, For Belt Pulley Diameter 77 MM.	V-Belt
13	75 11 728	1	1984-	V-Belt (Pair)
14	02 09 205	1	1979 - 84, Exchange Unit.	Starter Assy.
14	02 71 395	1	1985-, Exchange Unit	Starter Assy.
15	83 22 315	1	1979 - 84.	• Starter Solenoid
15	85 27 856	1	1985-.	• Starter Solenoid



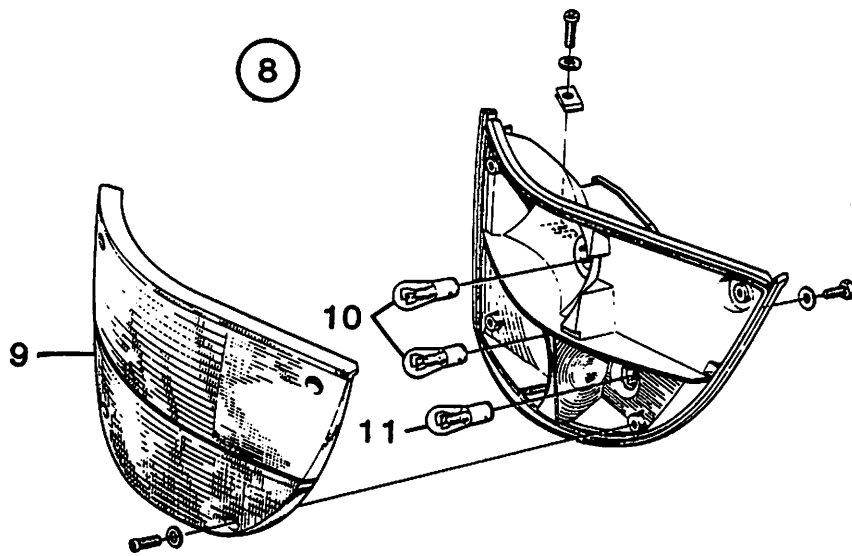
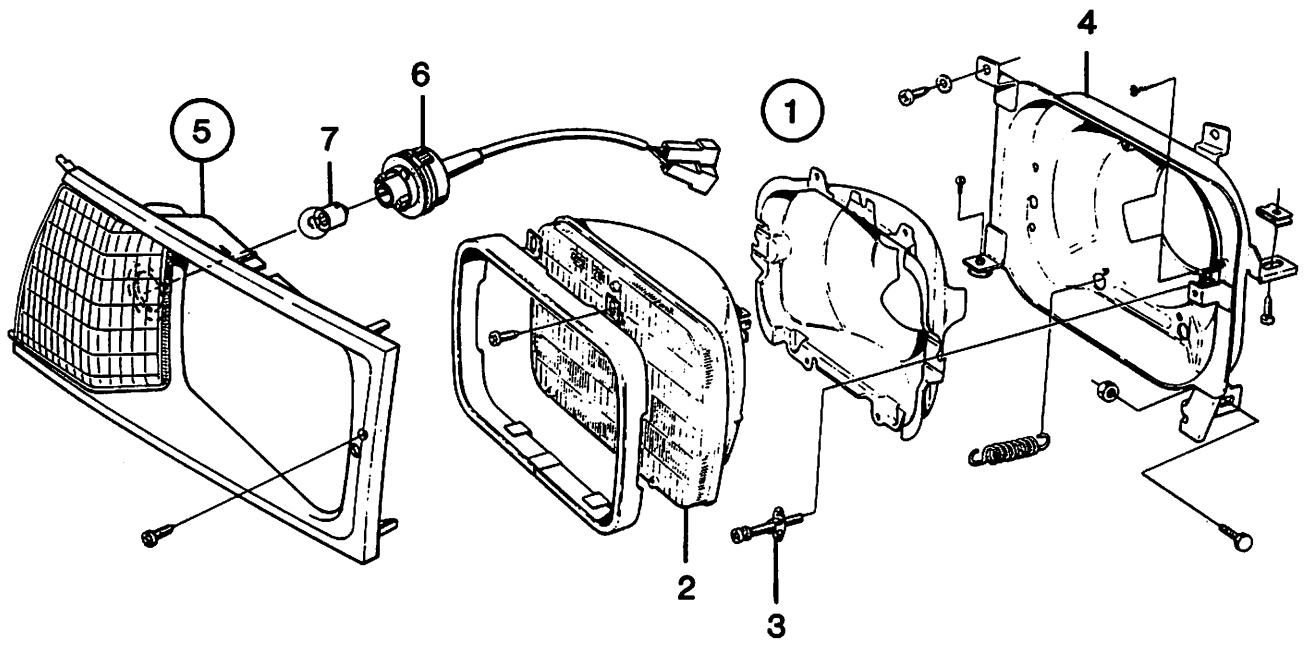
ELECTRICAL				Group	Page
Ignition 1979-80				3	2
Pos.	Part No.	Qty.	Notes	Description	
1	83 66 122	1	.	Distributor Assy.	
1	93 07 331	1	Turbo	Distributor Assy.	
2	75 01 216	1	.	• Distributor Cap	
3	93 06 697	1	.	• Distributor Rotor	
4	78 08 504	1	.	• Seal Ring	
5	93 51 693	1	For 83 66 122 and 93 07 331	• Rebuild Kit	
6	93 51 701	1	For 83 66 122 and 93 07 331	• Induction Coil	
7	83 62 360	1	.	Shaft	
8	80 49 348	1	.	Pin	
9	85 39 835	1	.	Coil	
10	85 66 374	1	.	Cover	
11	85 40 023	1	.	Electronic Control Unit	
12	85 42 375	1	.	Ballast Resistor	
13	93 37 338	1	Turbo Specifications	Ignition Wire Set	
14	93 25 465	1	.	• Coil Wire	
15	83 69 845	2	.	• Cyl. 1 & 2 Wire	
16	83 69 852	2	.	• Cyl. 3 & 4 Wire	
17	02 87 003	1	NGK-BP6ES Normal Use	Spark Plug 4 Pack	
17	02 87 011	1	NGK-BP7ES Severe Use	Spark Plug 4 Pack	
18	83 49 797	2	.	Retainer	
18	83 69 167	1	Turbo	Retainer	
19	85 67 505	1	.	Ignition Switch	



ELECTRICAL				Group	Page
Ignition B201 1981-				3	3
Pos.	Part No.	Qty.	Notes	Description	
1	02 71 551	1	1981, Exchange Unit	Distributor Assy.	
1	02 71 544	1	1981 Turbo, Exchange Unit	Distributor Assy.	
1	02 71 973	1	1982-, Exchange Unit	Distributor Assy.	
1	02 71 999	1	1982 Non-APC Turbo, Exchange Unit	Distributor Assy.	
1	02 71 981	1	1982½ - 83 APC Turbo, Exchange Unit	Distributor Assy.	
1	93 57 740	1	1984 APC Turbo.	Distributor Assy.	
2	75 01 216	1	• Distributor Cap	
3	93 50 323	1	1981	• Distributor Rotor	
3	93 55 488	1	1982-.	• Distributor Rotor	
4	93 51 750	1	• Seal Ring	
5	93 51 693	X	1981	• Rebuild Kit	
5	93 59 605	X	1982-.	• Rebuild Kit	
6	93 51 701	1	1981 Only	• Induction Coil	
7	85 39 835	1	1981	Coil	
7	85 73 834	1	1982-.	Coil	
8	85 66 374	1	Cover	
9	85 40 023	1	1981	Electronic Control Unit	
10	93 90 220	1	1982-. (85 73 826)	Ignition Control Module	
11	93 37 346	1	Turbo Specifications	Ignition Wire Set	
12	75 11 157	1	• Coil Wire	
13	93 55 926	1	• Cyl. 1 Wire	
14	75 61 079	1 (93 55 934)	• Cyl. 2 Wire	
15	75 61 087	1 (93 55 942)	• Cyl. 3 Wire	
16	75 61 095	1 (93 55 959)	• Cyl. 4 Wire	
17	02 87 003	1	NGK-BP6ES Normal Use	Spark Plug 4 Pack	
17	02 87 011	1	NGK-BP7ES Severe Use	Spark Plug 4 Pack	
17	02 72 278	1	NGK-BP6EV Normal Use, Precious Metal Tips	Spark Plug 4 Pack	
17	02 72 328	1	NGK-BP7EV Severe Use, Precious Metal Tips	Spark Plug 4 Pack	
18	93 58 086	1	Retainer	
19	93 58 094	1	Retainer	
20	93 58 102	2	Retainer	
21	93 53 673	1	Retainer	
22	85 67 505	1	Ignition Switch	



ELECTRICAL				Group	Page
Ignition B202 1985-				3	4
Pos.	Part No.	Qty.	Notes	Description	
1	02 71 510	1	1985 Turbo, Exchange Unit	Distributor Assy.	
1	02 71 528	1	1986 I, Exchange Unit	Distributor Assy.	
1	02 71 536	1	1986 Turbo, Exchange Unit	Distributor Assy.	
2	75 01 216	1	• Distributor Cap	
3	75 88 296	1	1985 Turbo	• Rebuild Kit	
3	75 88 304	1	1986 I	• Rebuild Kit	
3	75 88 312	1	1986 Turbo	• Rebuild Kit	
4	75 19 309	1	1985 Turbo	•• Distributor Rotor	
4	75 64 420	1	1986	•• Distributor Rotor	
5	78 08 504	1	• O-Ring	
6	85 73 834	1	Coil	
7	85 66 374	1	Cover	
8	93 90 220	1	Turbo	Ignition Control Module	
8	75 03 600	1	I	EZK Ignition Control Module	
9	02 73 540	1	I, Exchange Unit	EZK Electronic Unit	
10	88 17 314	1	Ignition Wire Set	
11	75 10 548	1	• Coil Wire	
12	75 04 483	1	• Cyl. 1 Wire	
13	75 04 491	1	• Cyl. 2 Wire	
14	75 04 509	1	• Cyl. 3 Wire	
15	75 04 517	1	• Cyl. 4 Wire	
16	02 87 037	1	NGK-BCP6ES, Normal Use	Spark Plug 4 Pack	
16	02 87 029	1	NGK-BCP7ES, Severe Use	Spark Plug 4 Pack	
16	02 72 286	1	NGK-BCP6EV, Normal Use, Precious Metal Tips	Spark Plug 4 Pack	
16	02 72 336	1	NGK-BCP7EV, Severe Use, Precious Metal Tips	Spark Plug 4 Pack	
17	75 03 832	2	Retainer	
18	75 06 793	1	Retainer	
19	85 67 505	1	Ignition Switch	
20	93 58 037	1	1986 I, Old Design, See MS 314	Knock Sensor	
20	75 68 801	1	1986 I, New Design, Requires 81 25 197	Knock Sensor	
21	75 62 168	1	1986 I, For Use with 93 58 037	Bolt	
21	81 25 197	1	1986 I, For Use with 75 68 801	Bolt	

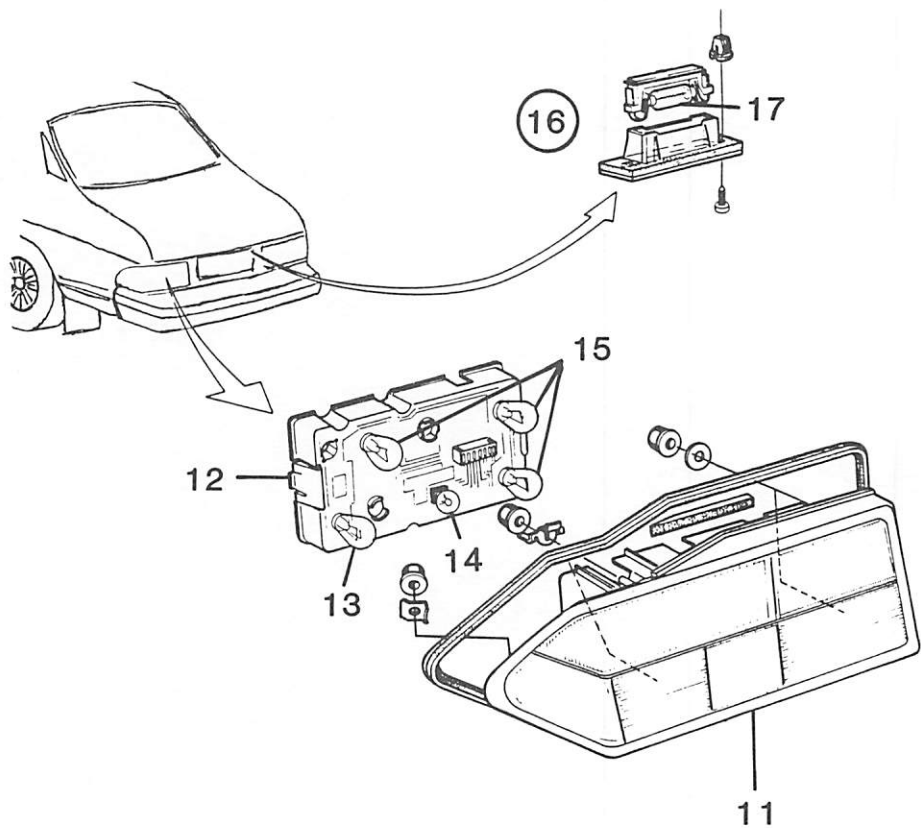
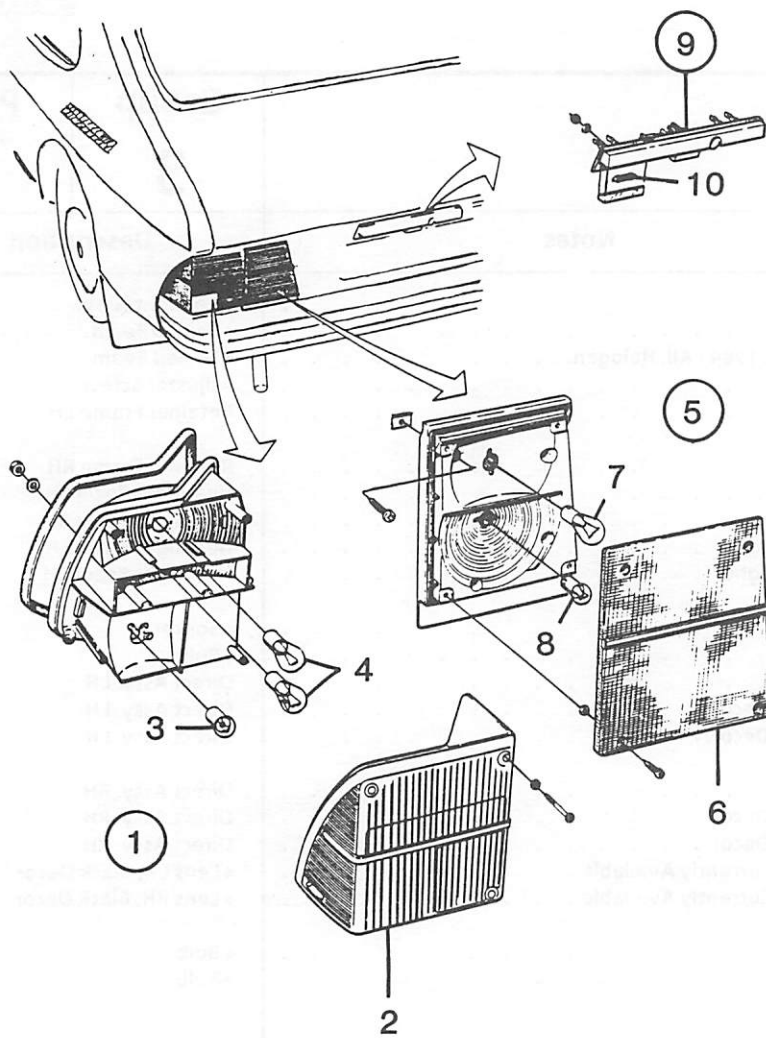


ELECTRICAL
Lighting, Front

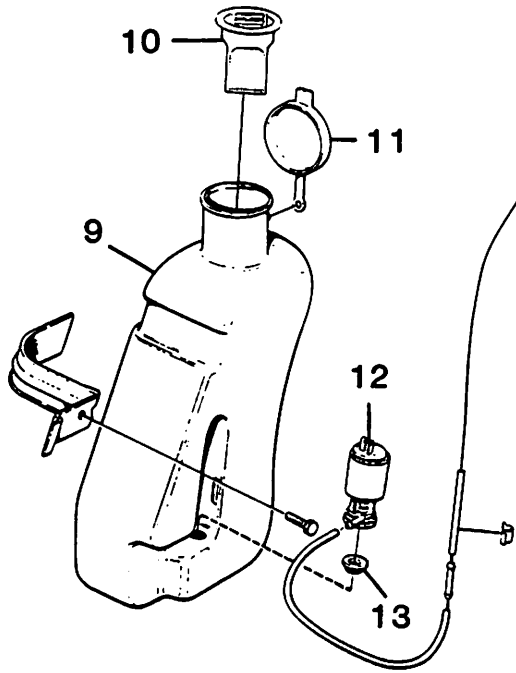
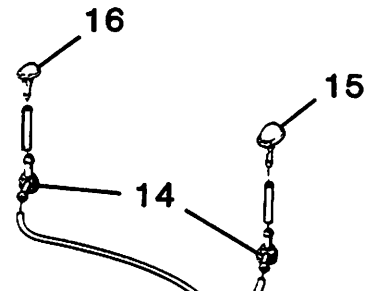
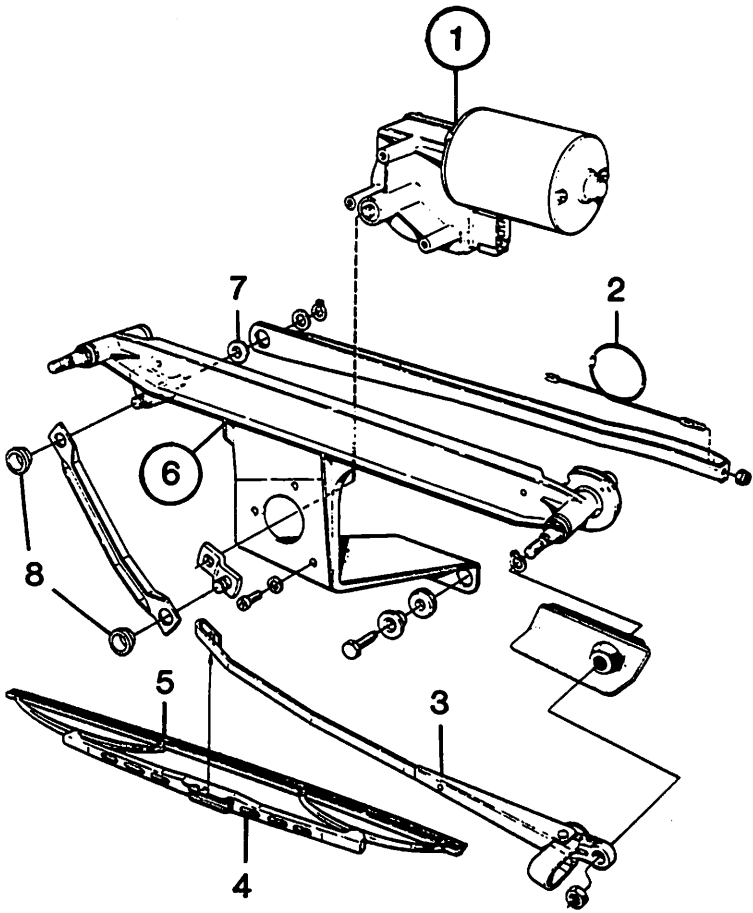
Group
3

Page
5

Pos.	Part No.	Qty.	Notes	Description
1	85 74 253	2	Halogen	Headlight Assy.
2	85 41 005	2	• Sealed Beam
2	85 74 261	2	1981- Turbo, 1984 - All, Halogen.	• Sealed Beam
3	85 51 681	4	Adjuster Screw
4	85 41 591	1	Retainer Frame LH
4	85 41 609	1	Retainer Frame RH
5	82 57 495	1	-1982	Headlight Bezel LH
5	82 57 503	1	-1982	Headlight Bezel RH
5	85 93 253	1	1983- with Light	Headlight Bezel LH
5	85 93 261	1	1983- with Light	Headlight Bezel RH
6	85 79 716	2	1983-	• Socket
7	85 52 325	2	1983-	• Bulb
8	85 41 013	1	White Decor.	Direct Assy. LH
8	85 74 733	1	-1982 Black Decor	Direct Assy. LH
8	85 83 452	1	1983- Black Decor	Direct Assy. LH
8	85 41 021	1	White Decor.	Direct Assy. RH
8	85 74 741	1	-1982 Black Decor	Direct Assy. RH
8	85 83 460	1	1983- Black Decor	Direct Assy. RH
9	85 83 510	1	Only Spare Currently Available	• Lens LH, Black Decor
9	85 83 528	1	Only Spare Currently Available	• Lens RH, Black Decor
10	85 32 756	4	• Bulb
11	85 35 692	2	• Bulb



ELECTRICAL				Group	Page
Lighting, Rear				3	6
Pos.	Part No.	Qty.	Notes	Description	
1	85 14 333	1	-1979 CK	Tail Light Assy. LH	
1	85 85 358	1	1980-CK	Tail Light Assy. LH	
1	85 14 341	1	-1979 CK	Tail Light Assy. RH	
1	85 85 366	1	1980-CK	Tail Light Assy. RH	
2	85 16 437	1	-1979 CK	• Lens LH	
2	85 85 432	1	1980-CK	• Lens LH	
2	85 16 445	1	-1979 CK	• Lens RH	
2	85 85 440	1	1980-CK	• Lens RH	
3	71 54 727	2	1979	• Bulb	
3	85 37 672	2	1980-	• Bulb	
4	71 54 719	6	1979	• Bulb	
4	71 54 719	4	1980-81	• Bulb	
4	85 35 692	4	1982-	• Bulb	
5	85 85 374	1	1980-CK	Tail Light Assy. LH	
5	85 85 382	1	1980-CK	Tail Light Assy. RH	
6	85 67 513	1	1980-1982 CK	• Lens LH	
6	85 85 457	1	1983-CK	• Lens LH	
6	85 67 521	1	1980-1982 CK	• Lens RH	
6	85 85 465	1	1983-CK	• Lens RH	
7	71 54 719	2	• Bulb	
8	71 54 727	2	• Bulb	
9	85 15 553	1	-1979 CK	Number Plate Light/Handle	
9	85 62 126	1	1980-CK	Number Plate Light/Handle	
10	70 84 197	2	• Bulb	
11	85 85 895	1	SN	Lens Assy. LH	
11	85 85 903	1	SN	Lens Assy. RH	
12	85 85 978	1	SN	Back Assy. LH	
12	85 85 986	1	SN	Back Assy. RH	
13	85 32 756	2	Bulb	
14	85 52 325	2	Bulb	
15	85 35 692	6	Bulb	
16	85 67 653	2	SN	Number Plate Light	
17	70 84 197	2	1 for each 85 67 653	• Bulb	



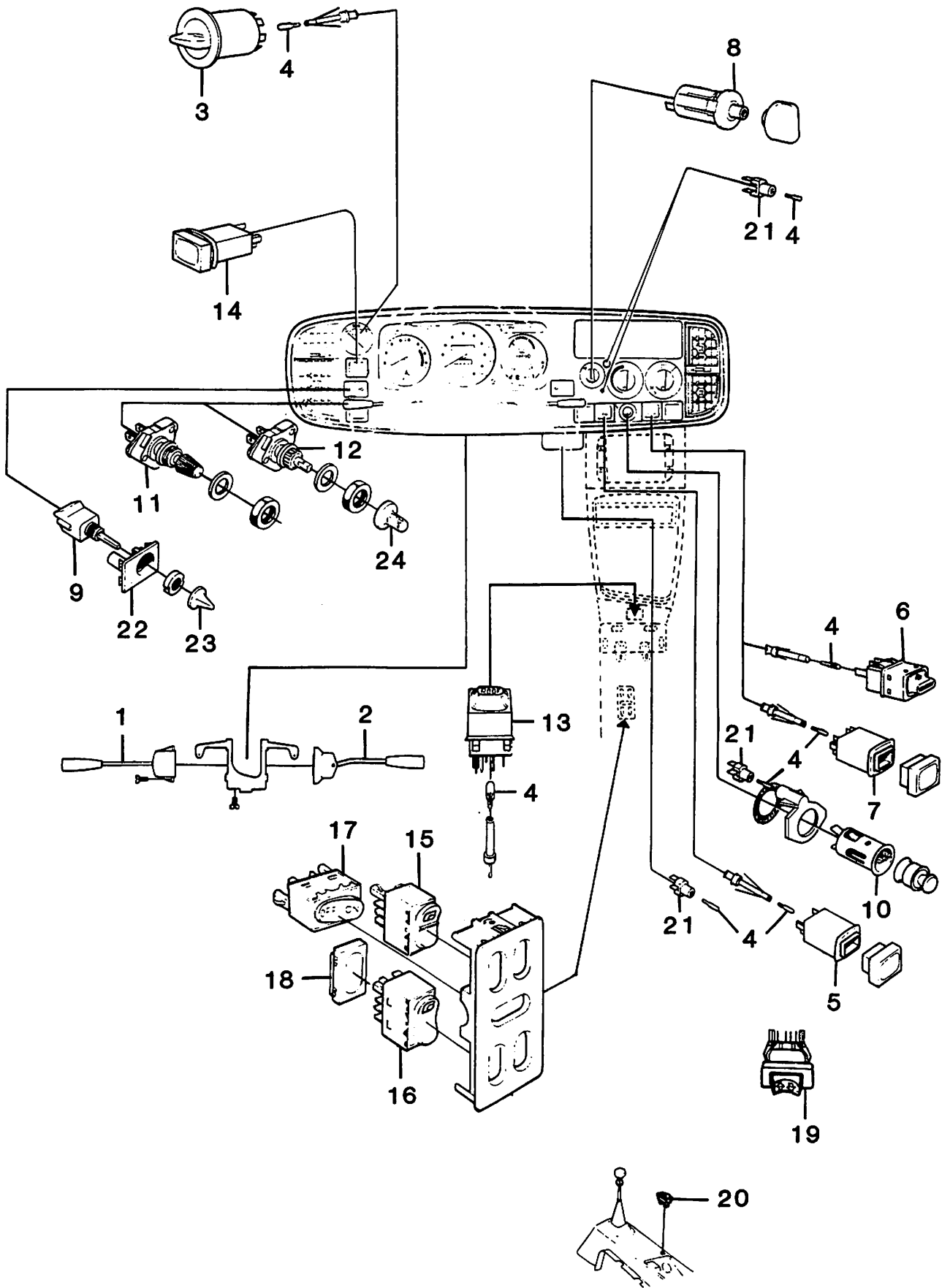
ELECTRICAL

Wipers and Washers

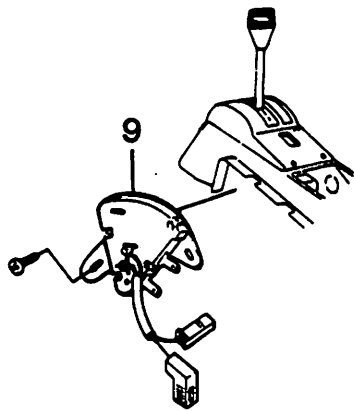
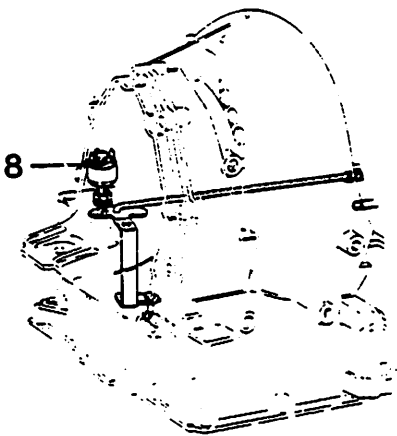
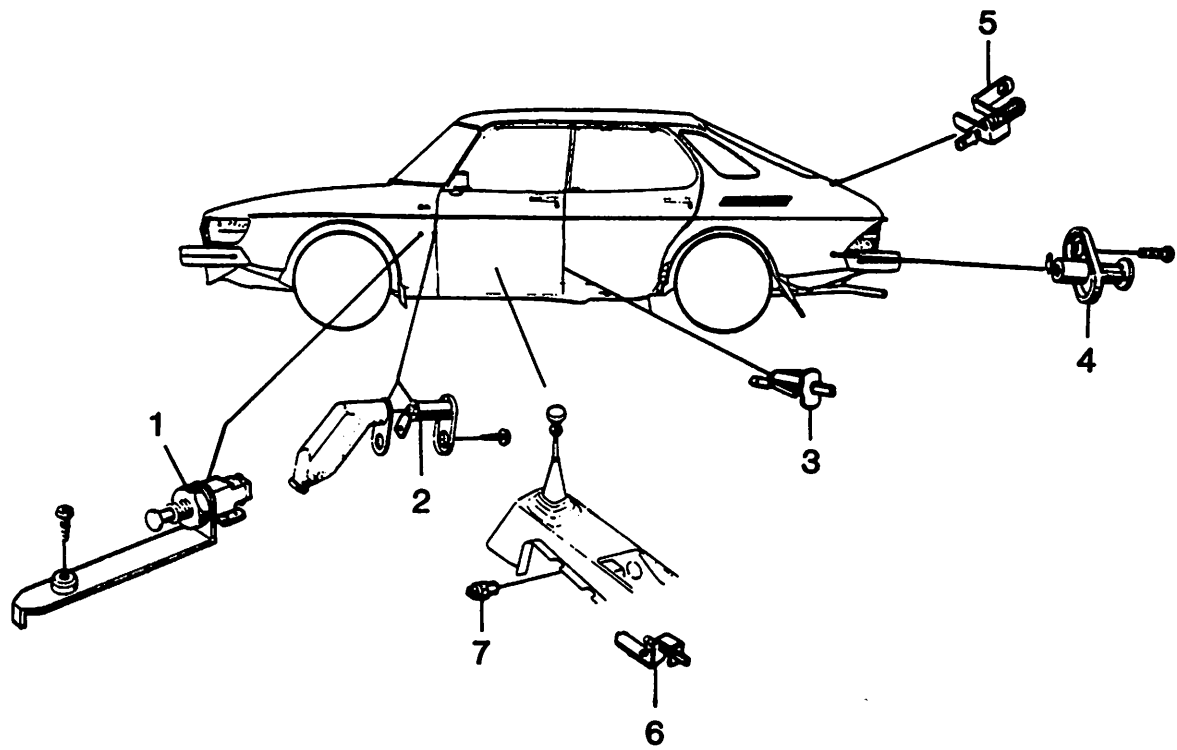
Group
3

Page
7

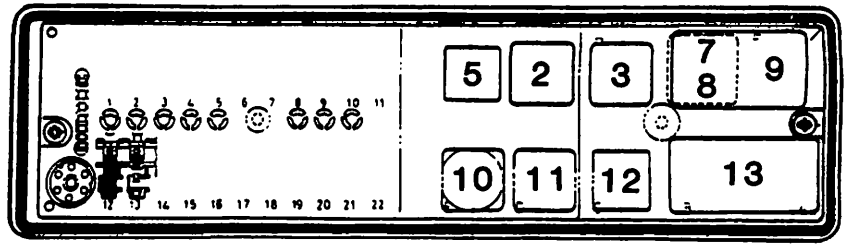
Pos.	Part No.	Qty.	Notes	Description
1	85 44 462	1	Wiper Motor
2	85 44 538	1	Cable
3	85 53 810	1	Wiper Arm LH
3	85 53 828	1	Wiper Arm RH
4	85 57 480	1	Wiper Blade Assy. (Pair)
4	78 94 876	2	Tridon - Alternate	Wiper Blade Assy.
5	85 46 319	1	(2 Inserts) - Use with 85 57 480	• Set Wiper Inserts
5	78 94 801	2	Tridon use with 78 94 876.	• Wiper Inserts
6	85 44 470	1	Pivot Assembly
7	85 04 029	1	Bushing
8	85 59 320	2	Bushing
9	85 44 744	1	Washer Container
10	85 60 161	1	Filter
11	85 18 557	1	Cap
12	85 93 477	1	-1984.	Washer Pump
12	95 06 379	1	1985-.	Washer Pump
13	95 12 583	1	Rubber Bushing
14	85 73 669	2	Pressure Valve
15	85 04 144	1	Double Jet	Nozzle LH
16	85 44 728	1	Single Jet	Nozzle RH



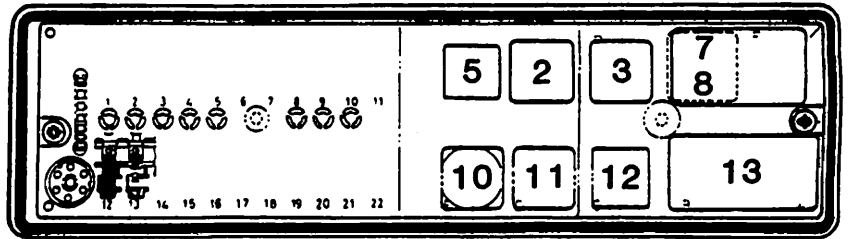
ELECTRICAL				Group	Page
Switches				3	8
Pos.	Part No.	Qty.	Notes	Description	
1	85 90 812	1	-1983, 1984- For Cars w/o Speed Control System	Switch, Direction Indicator Assy.	
1	85 83 536	1	1984- For Cars with O.E.M. Speed Control System	Switch, Direction Indicator Assy.	
2	85 90 853	1	Switch, Windshield Wiper	
3	85 42 383	1	-1980	Switch, Headlight	
3	85 46 186	1	1981	Switch, Headlight	
3	85 90 838	1	1982-	Switch, Headlight	
4	85 00 613	X	• Bulb	
5	85 68 479	1	-1983	Switch, Rear Demist	
5	85 84 591	1	1984-85	Switch, Rear Demist	
5	95 14 019	1	1986-	Switch, Rear Demist	
5	85 68 453	1	Switch, AC	
5	95 12 682	1	1986-	Switch, AC	
5	85 90 671	1	1984-1985	Switch, Recirculation	
5	95 14 027	1	1986-	Switch, Recirculation	
6	85 46 194	2	-1981	Switch, Window Regulator	
6	85 78 817	2	1982-1983	Switch, Window Regulator	
7	85 50 436	1	-1985	Switch, Warning Flasher	
7	95 12 641	1	1986-	Switch, Warning Flasher	
8	85 50 360	1	Switch, Fan	
9	85 31 204	2	Elec. Mirrors.	Switch, Mirror	
10	85 74 469	1	Cigarette Lighter Assy.	
11	85 79 229	1	1981-1984	Rheostat	
12	85 93 733	1	1985-	Rheostat	
13	85 79 468	1	1983-1985	Switch, Elec. Sunroof	
13	95 50 617	1	1986-	Switch, Elec. Sunroof	
14	85 90 663	1	1983-85	Switch, Foglight	
14	95 23 762	1	1986- (95 12 674)	Switch, Foglight	
15	95 01 859	2	1984-85	Switch, Window Regulator, Front	
15	95 12 310	1	1986-	Switch, Window Regulator, Front LH	
15	95 01 859	1	1986-	Switch, Window Regulator, Front RH	
16	95 01 867	2	1984-	Switch, Window Regulator Rear Door	
17	95 01 875	1	1984-	Safety Switch, Window Regulator	
18	95 01 891	3	1984-, 3 CK	Blind Knob	
19	95 01 909	2	1984-, In Rear Door.	Switch, Window Regulator, Rear Door	
20	85 06 198	1	-1985	Switch, Interior Light	
20	95 51 904	1	1986	Switch, Interior Light	
21	85 09 697	4	Bulb Socket	
22	85 41 856	2	Elec. Mirrors.	Retainer, Mirror Switch	
23	85 79 492	2	Elec. Mirrors.	Knob, Mirror Switch	
24	85 93 394	1	1985-	Knob, Rheostat	



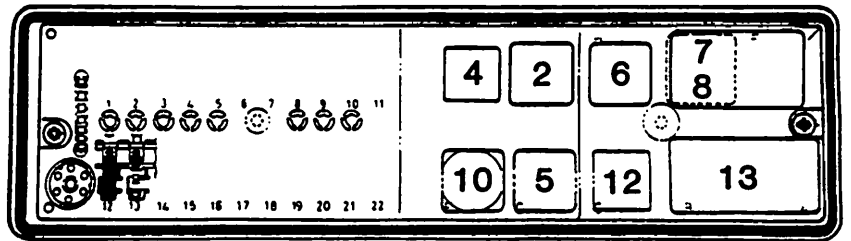
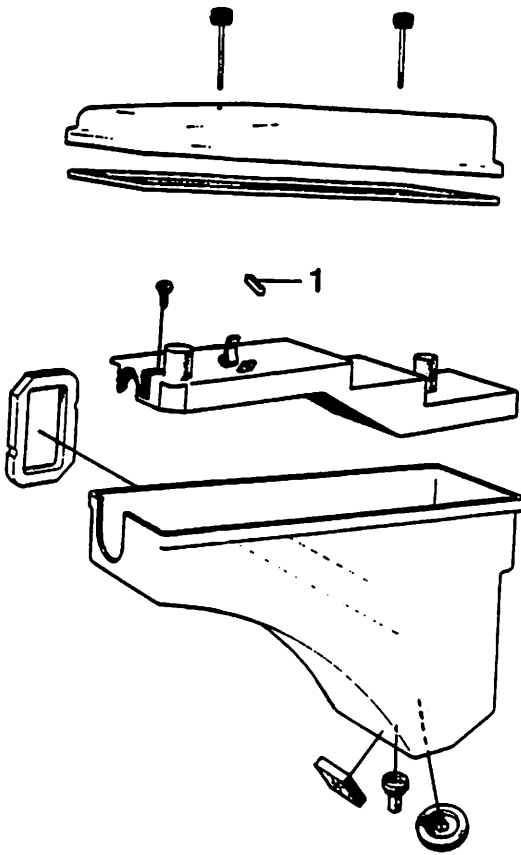
ELECTRICAL				Group	Page
Remote Operating Switches				3	9
Pos.	Part No.	Qty.	Notes	Description	
1	85 30 792	1	-1979	Switch, Brake Light	
1	85 77 736	1	1980-	Switch, Brake Light	
2	85 46 202	2	-1981	Switch, Front Door	
2	85 77 793	2	1982-	Switch, Front Door	
3	85 22 492	2	Switch, Rear Door	
4	85 22 492	1	-1980 CK	Switch, Trunk Door	
4	85 73 107	1	1981- CK	Switch, Trunk Door	
5	85 69 220	1	SN	Switch, Trunk Lid	
6	85 22 492	1	-1982	Switch, Handbrake	
6	85 78 312	1	1983-	Switch, Handbrake	
7	95 09 480	1	M	Switch, Back-up Light	
8	87 05 451	1	1979 A	Switch, Neutral Safety	
9	85 83 585	1	1980- A	Switch, Neutral Safety	



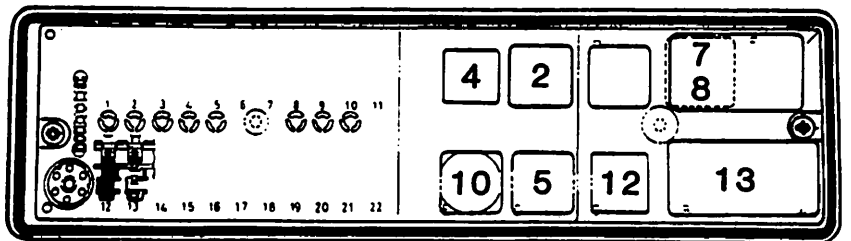
1979



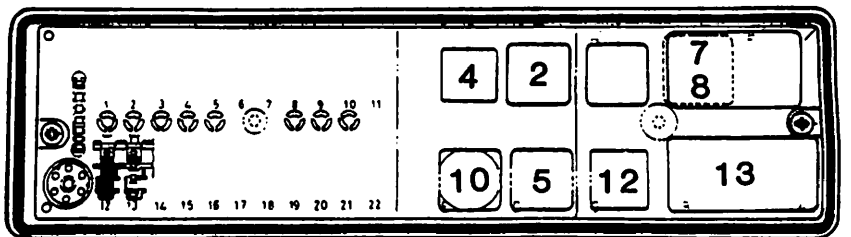
1980



1981



1982



1983

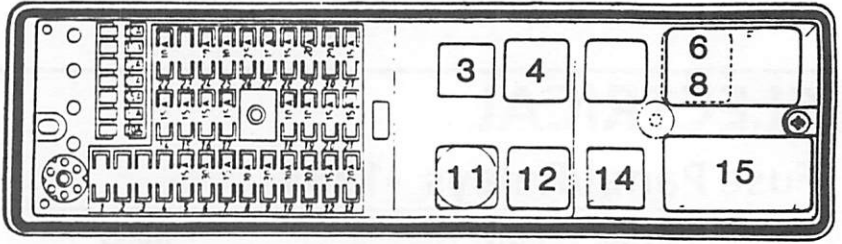
ELECTRICAL

Fuse Panel/Relays -1983

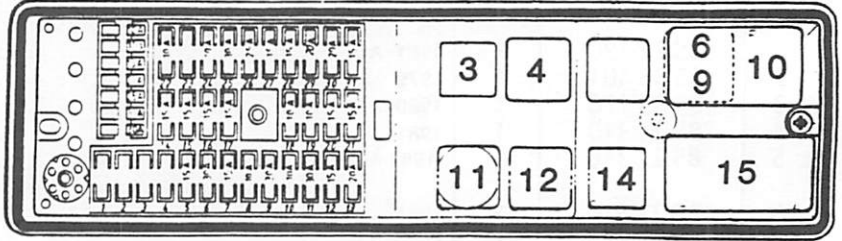
Group
3

Page
10

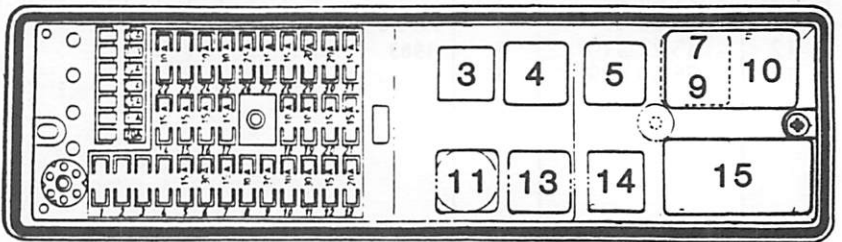
Pos.	Part No.	Qty.	Notes	Description
1	85 28 135	X	-1983	Fuse 5 Amp
1	85 28 143	X	-1983	Fuse 8 Amp
1	85 28 150	X	-1983	Fuse 16 Amp
1	85 28 168	X	-1983	Fuse 25 Amp
2	85 22 310	1	-1980 AC.	Relay Cooling Fan, LH
2	85 72 190	1	1981- AC.	Relay, Cooling Fan LH
3	85 36 401	1	1979	Relay, Start Inhibitor
3	85 33 176	1	1980	Relay, Start Inhibitor
4	85 22 310	1	1981-	Relay, Horn
5	85 22 310	1	-1983 AC.	Relay, Cooling Fan RH
6	85 22 310	1	1981	Relay, Ignition System
7	85 39 728	1	I	Relay, Fuel Pump
8	85 59 999	1	-1981 Turbo	Relay, Fuel Pump
8	85 79 484	1	1982- Turbo	Relay, Fuel Pump
9	85 22 310	1	1979 A	Relay, Back-up Light
10	85 33 176	1	-1980	Relay, Ignition Lock
10	95 22 061	1	1981- (85 72 943)	Relay, Ignition Lock
11	85 36 401	1	1979 UC and Turbo, 1980 US	Relay, Lambda
12	85 22 310	1	-1983	Relay, Rear Demist
13	95 60 889	1 (85 62 100)	Relay, Lights



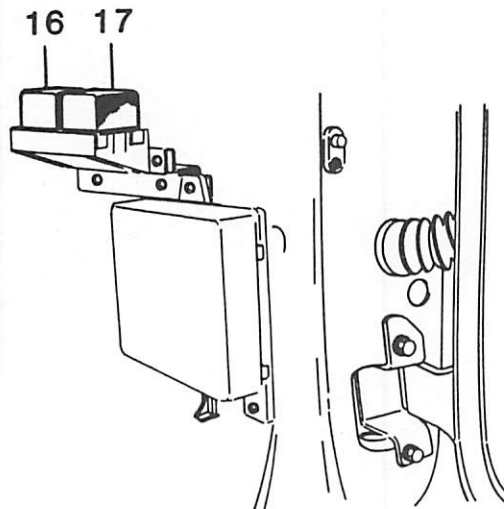
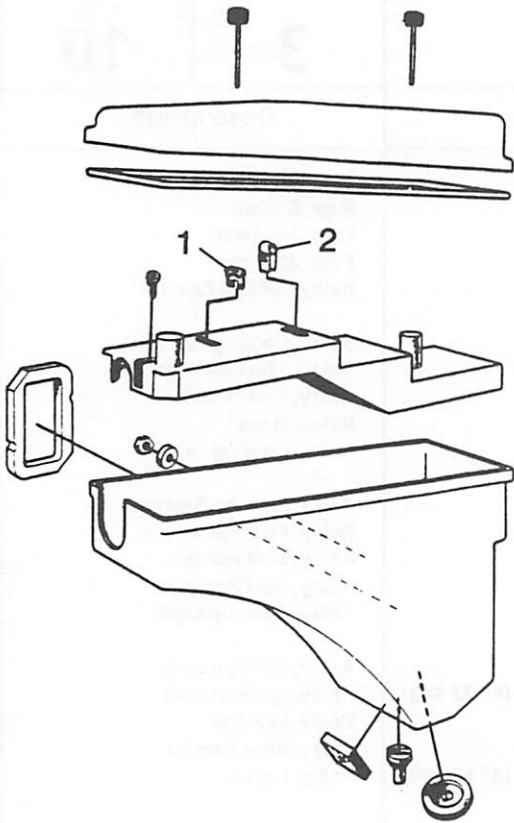
1984



1985

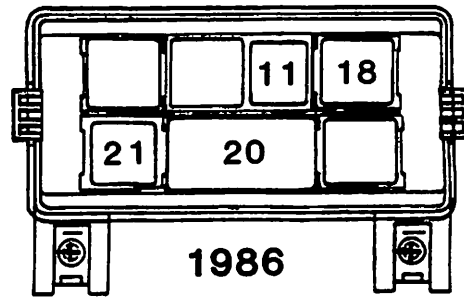
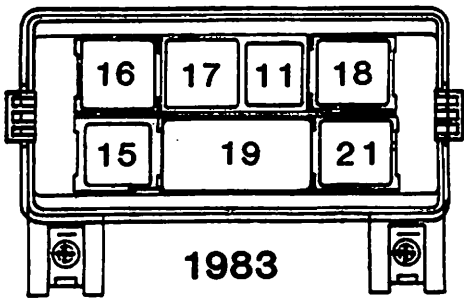
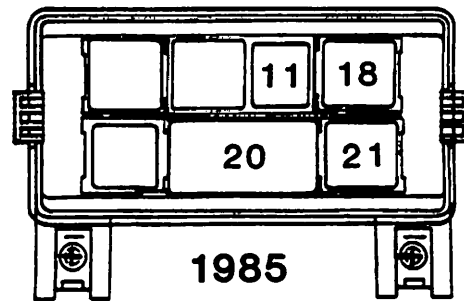
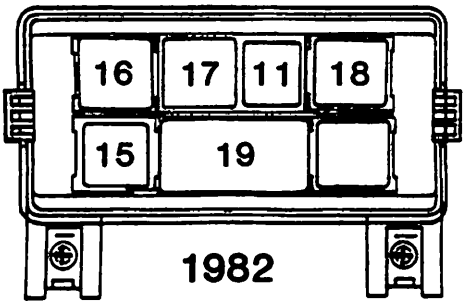
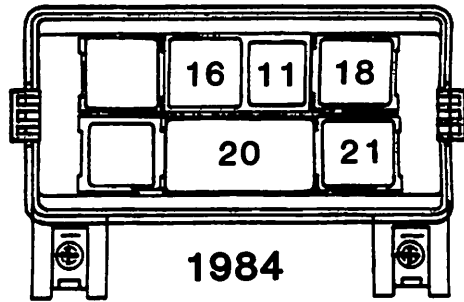
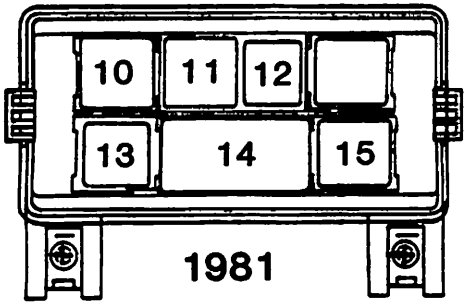
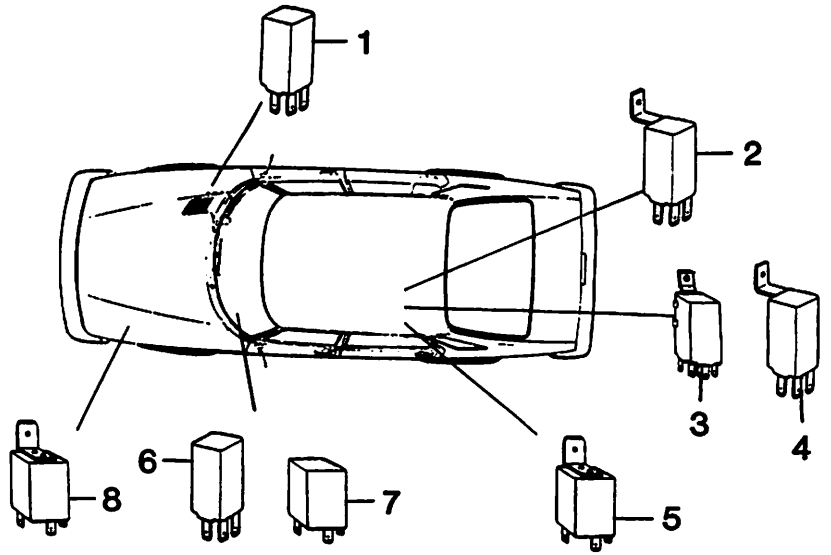
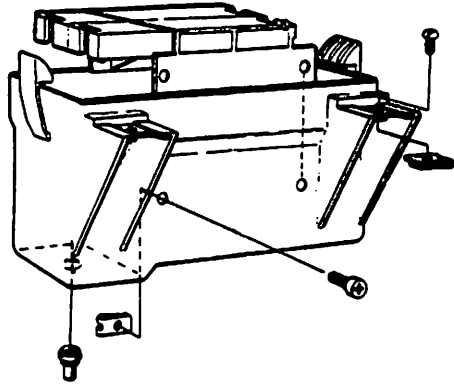
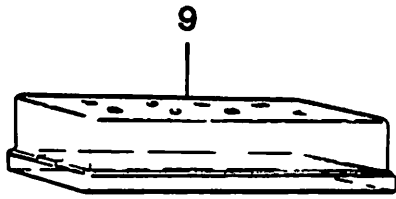


1986

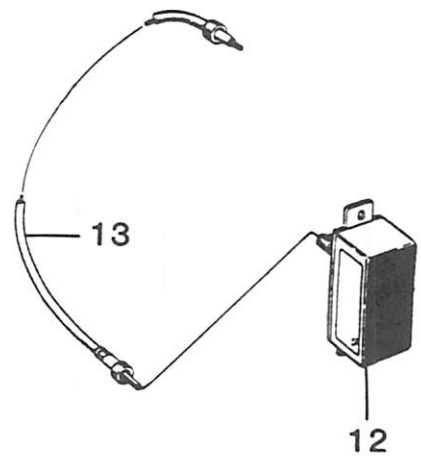
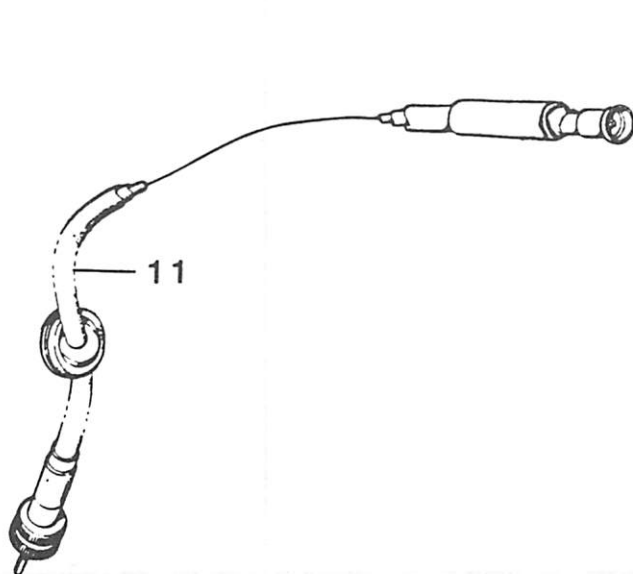
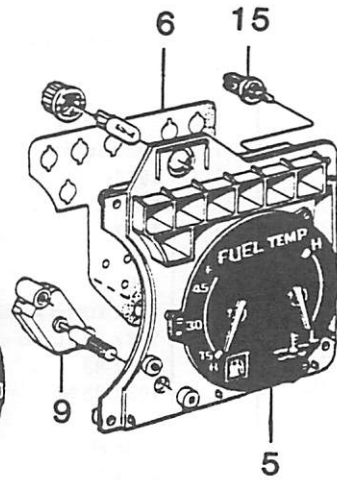
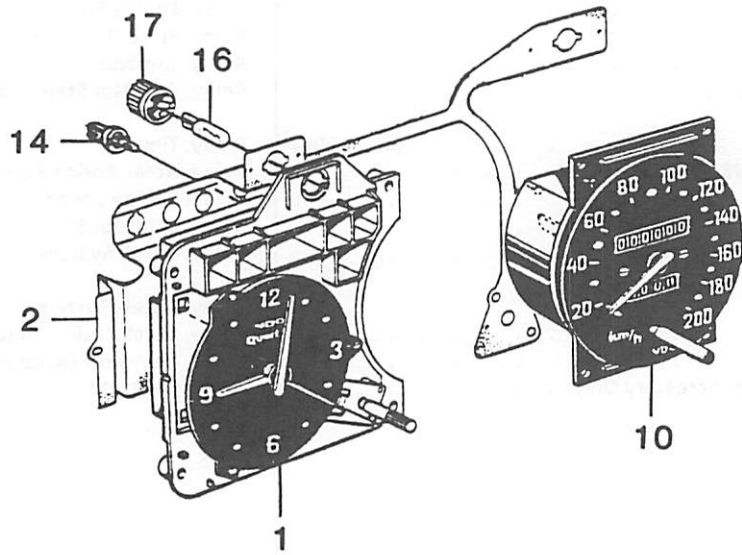
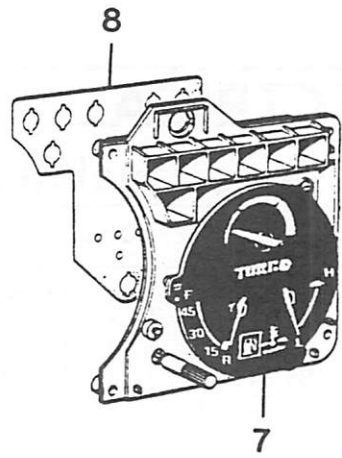
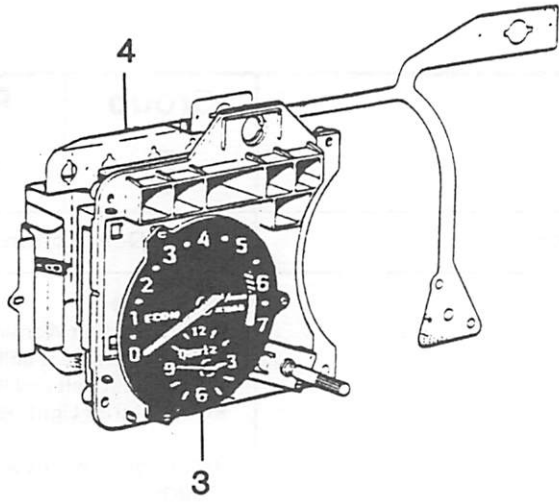


ELECTRICAL Fuse Panel/Relays 1984-	Group 3	Page 11
---	--------------------------	--------------------------

Pos.	Part No.	Qty.	Notes	Description
1	02 11 300	X	Cruise Control	Fuse 5 Amp
1	79 74 637	X	Fuse 10 Amp
1	79 74 645	X	Fuse 15 Amp
1	79 74 652	X	Fuse 20 Amp
1	79 74 660	X	Fuse 25 Amp
1	79 74 678	X	Fuse 30 Amp
2	85 87 636	1	Fuse Puller
3	85 22 310	1	Horn Relay
4	85 72 190	1	AC.	Relay, Cooling Fan LH
5	95 13 219	1	1986-, Compressor Time Delay	Relay, AC
6	85 39 728	1	B201I 1984-1985 $\frac{1}{2}$	Relay, Fuel Pump
6	85 79 484	1	B201I 1985 $\frac{1}{2}$ - 1985.	Relay, Fuel Pump
7	95 50 948	1	B201I 1986-.	Relay, Fuel Pump
8	85 79 484	1	B201 Turbo-1984	Relay, Fuel Pump
9	85 22 310	1	B202, 1985-.	Relay, Fog Light
10	85 91 729	1	1985 $\frac{1}{2}$ - M	Relay, Upshift Light
11	95 22 061	1 (85 72 943)	Relay, Ignition Lock
12	85 36 401	1	1984-1985	Relay, AC Compressor
13	95 18 481	1	1986-.	Relay, Ignition Pulse Amplifier
14	85 88 220	1	Time Limiting	Relay, Rear Demist
15	95 60 889	1 (85 62 100)	Relay, Lights
16	85 36 401	1	B202	Relay, Fuel Pump
17	85 36 401	1	B202	Relay, LH System



ELECTRICAL				Group	Page
Emissions Panel/Relays Buzzers				3	12
Pos.	Part No.	Qty.	Notes	Description	
1	85 58 272	1	1979-80 AC with A	Relay, Time	
2	85 33 010	1	-1983	Relay, Seat Belt Warning	
2	85 87 669	1	1984-	Relay/Buzzer, Seat Belt and Key	
3	85 74 931	1	-1983	Buzzer, Seat Belt and Key	
4	85 89 319	1	1984-	Relay, Interior Light Delay	
5	95 12 823	1	1986	Relay, Power Window "One-Touch"	
6	85 83 627	1	Flasher Unit	
7	85 53 463	1	Wiper-Washer	Relay, Interval	
8	85 87 677	1	1984-	Relay, Cooling Fan Time	
9	85 71 721	1	Cover, Emissions Panel	
10	85 65 913	1	1981 Turbo	Relay, Engine Speed	
11	85 68 271	1	1981-	Relay, Pulse Hot Start	
12	85 36 401	1	1981	Relay, Lambda	
13	85 33 176	1	1981	Relay, Cold/Hot Start Ground	
14	85 75 151	1	1981 (85 71 606)	Relay, Time	
15	85 74 618	1	1981 Turbo A, 1982-83 All.	Relay, Accel. Enrich. Pulse	
16	85 78 346	1	1982-84 Turbo	Relay, Engine Speed	
17	85 33 176	1	1982-83	Relay, Cold/Hot Start	
18	85 74 899	1	1982-85 M	Relay, Decel. System	
18	85 99 425	1	1986 M	Relay, Decel. System	
19	85 75 151	1	1982-83	Relay, Accel. Enrich. Time	
20	85 84 732	1	1984-	Relay, Transient Enrichment	
21	85 22 310	1	1983- EAG Turbo, Accessory Only	Relay, Fog Light	



ELECTRICAL

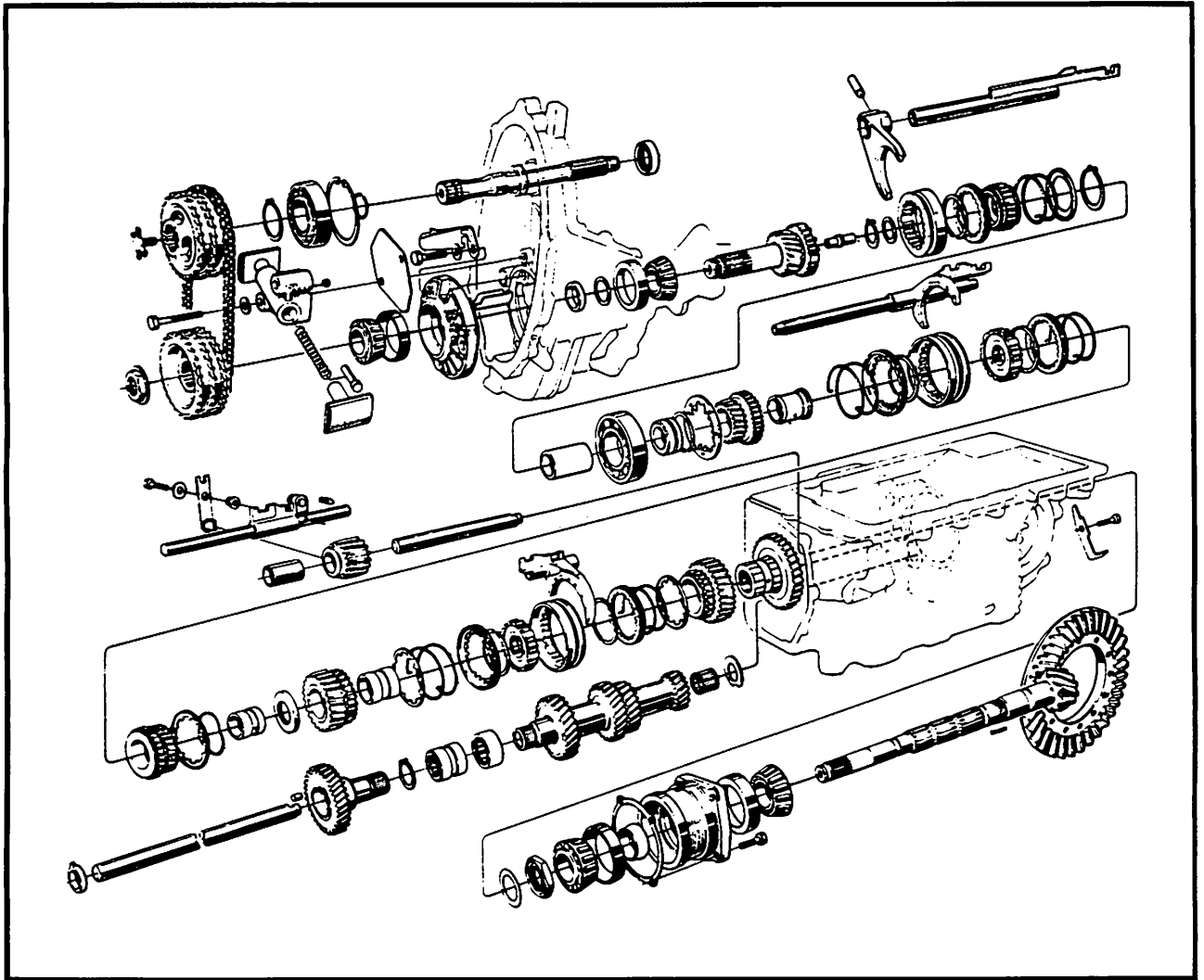
Instruments

Group
3

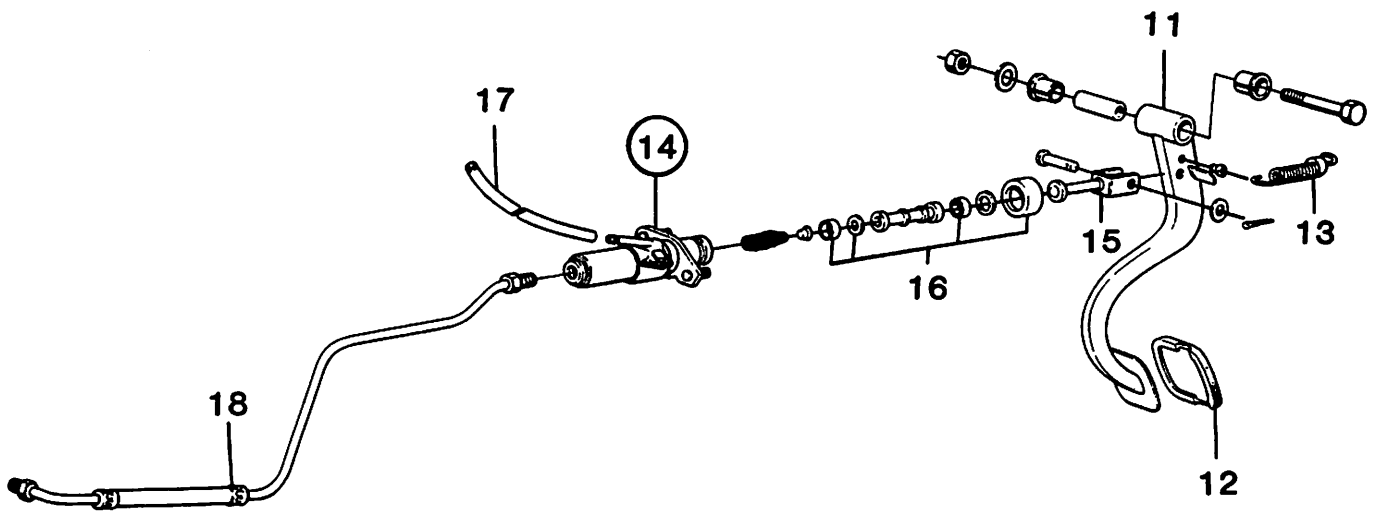
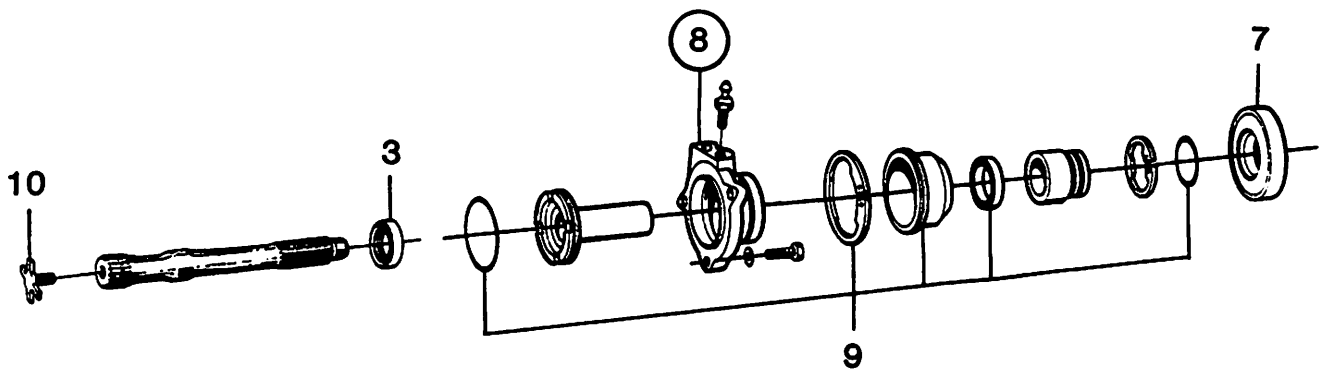
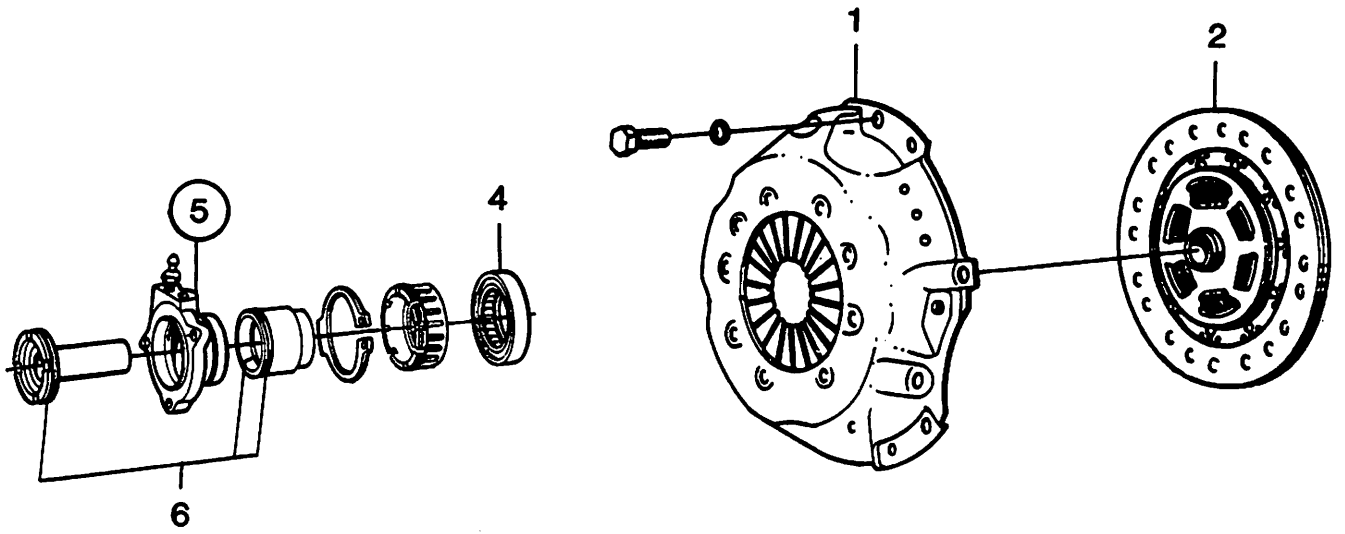
Page
13

Pos.	Part No.	Qty.	Notes	Description
1	85 50 022	1	-1980	Clock Assy.
2	85 50 782	1	• Foil
3	85 50 030	1	-1982	Clock - Tachometer
3	85 82 686	1	1983-	Clock - Tachometer
4	95 53 488	1	• Foil
5	85 72 927	1	1979 - 82	Combination Instrument
5	85 81 084	1	1983-	Combination Instrument
6	85 71 127	1	• Foil with Diode
7	85 44 942	1	1979 Turbo	Combination Instrument
7	85 64 346	1	1980 Turbo	Combination Instrument
7	85 72 935	1	1981-82 Turbo	Combination Instrument
7	85 85 150	1	1983- Turbo	Combination Instrument
8	85 51 012	1	1979 - 80 Turbo	• Foil with Diode
8	85 71 127	1	1981- Turbo	• Foil with Diode
9	85 81 472	1	Rheostat
10	85 89 343	1	125 mph	Speedometer
11	85 61 979	1	Speedometer Cable
12	85 63 215	1	Counter Unit
13	85 51 095	1	Counter Unit Cable
14	85 68 693	1	Alternator Warning Bulb
15	85 66 853	9	Bulb
16	88 53 772	2	Bulb
17	85 52 291	2	Bulb Socket

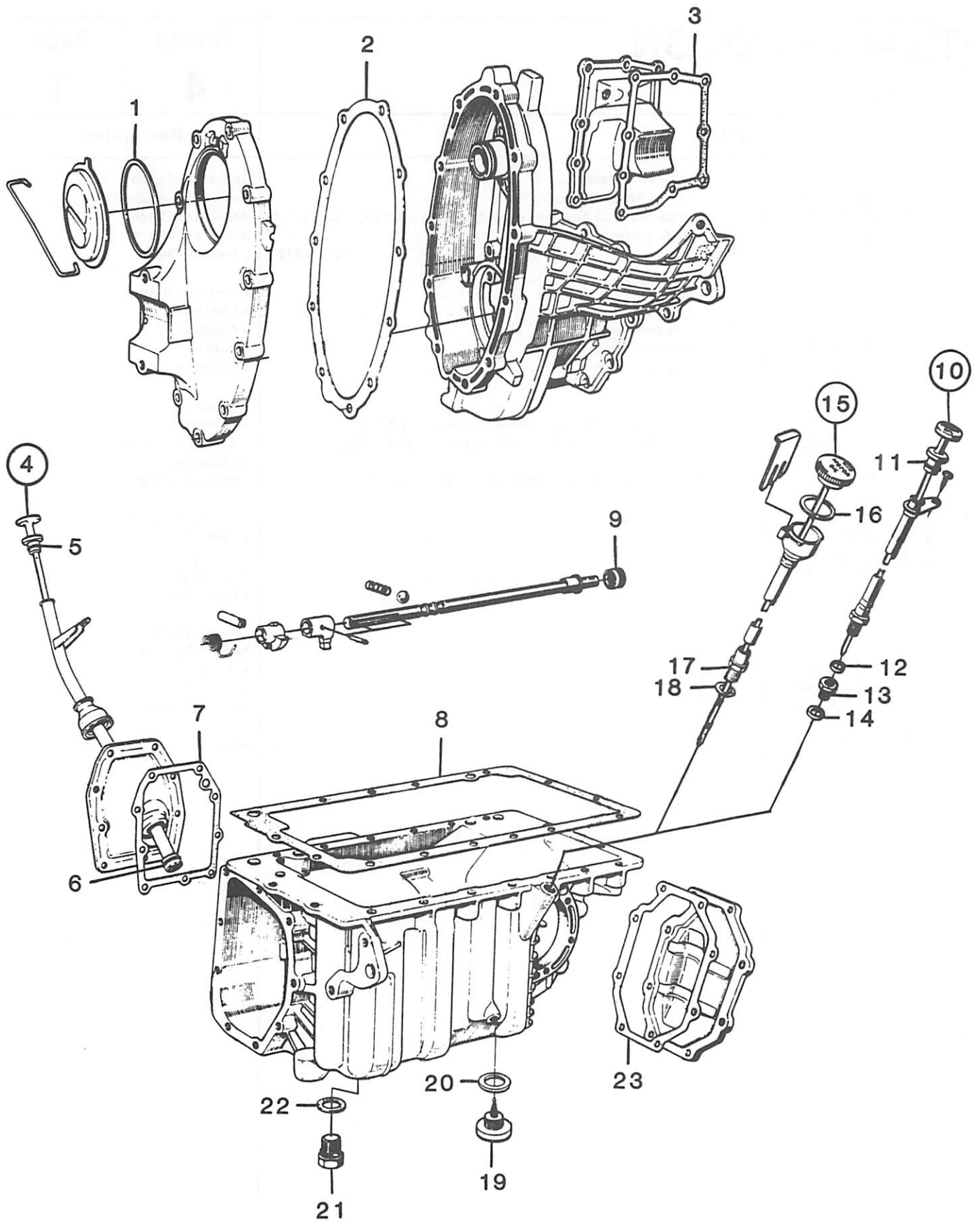
TRANSMISSION



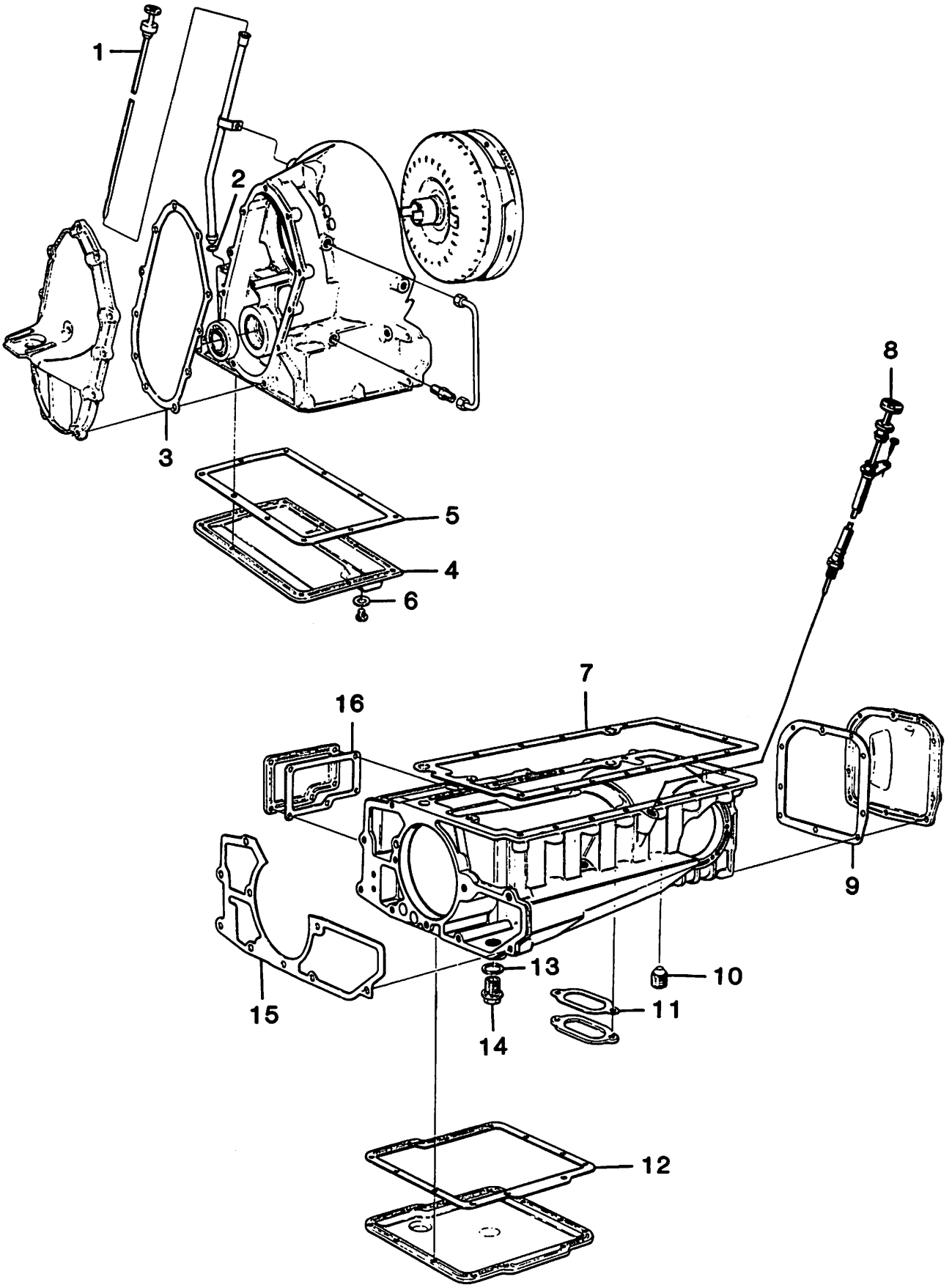
GROUP 4



TRANSMISSION				Group	Page
Clutch				4	1
Pos.	Part No.	Qty.	Notes	Description	
*	88 18 155		1979-80 4-Speed	Repair Kit, Clutch	
*	88 18 130		1979 4-Speed Turbo	Repair Kit, Clutch	
*	88 18 148		1980- 5-Speed Contains Asbestos Free Clutch Disc 87 22 324	Repair Kit, Clutch	
*	88 18 122		1980- 5-Speed Turbo	Repair Kit, Clutch	
1	87 20 245	1 (87 04 116)	• Pressure Plate	
1	87 12 036	1	Turbo	• Pressure Plate	
2	83 07 498	1	4-Speed	• Clutch Disc	
2	87 12 044	1	4-Speed Turbo	• Clutch Disc	
2	87 22 324	1	5-Speed Asbestos-Free	• Clutch Disc	
2	87 15 260	1	5-Speed Turbo	• Clutch Disc	
3	87 10 881	1	• Seal Ring	
4	87 21 995	1	New design. For use with slave cylinder 87 22 209	• Release Bearing	
5	87 22 209	1	New design. For use with release bearing 87 21 995.	• Slave Cylinder Assy.	
6	87 81 072	1	• Seal Kit	
7	87 04 728	1	Old design. For use with slave cylinder 87 11 533.	Release Bearing	
8	87 11 533	1	See MS 248	Slave Cylinder Assy.	
9	87 81 007	1	• Seal Kit	
10	87 11 038	1	Oil Slinger	
11	89 91 432	1	Pedal Assy.	
12	89 16 272	1	• Pedal Pad	
13	89 35 751	1	Return Spring	
14	89 44 977	1	Master Cylinder	
15	89 35 371	1	• Push Rod	
16	89 93 156	1	• Seal Kit	
17	89 27 139	1	Reservoir Hose	
18	89 35 124	1	Hose	

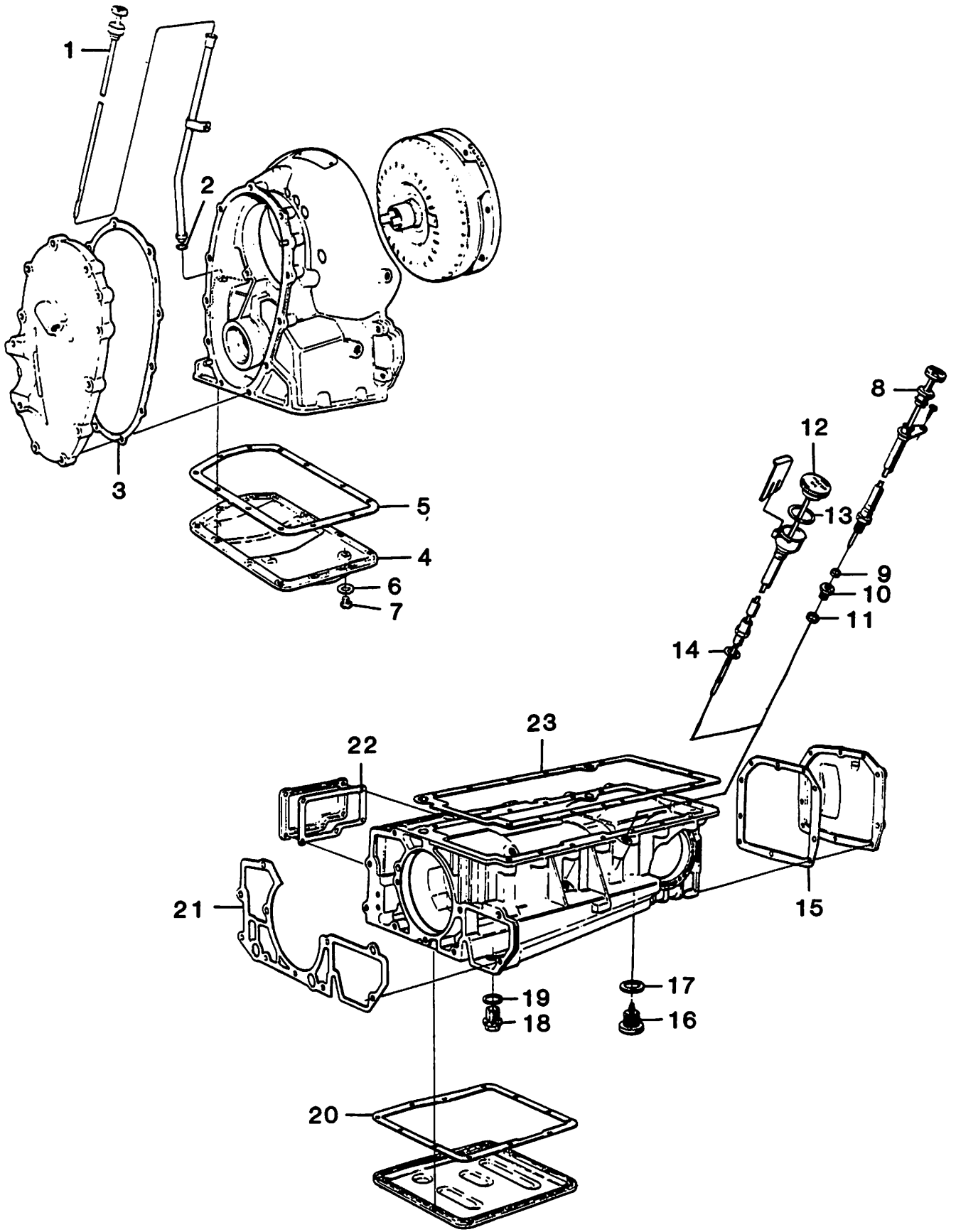


TRANSMISSION - MANUAL				Group	Page
Gaskets				4	2
Pos.	Part No.	Qty.	Notes	Description	
1	87 13 216	1	Seal	
2	87 12 903	1	Gasket	
3	87 25 020	1	5-speed (87 12 986)	Gasket	
4	75 46 872	1	Dipstick Assy., Trans.	
4	75 47 201	1	B202 I	Dipstick Assy., Trans.	
5	79 71 948	1	• Seal ring	
6	79 71 930	1	O-Ring	
7	87 03 001	1	1979-80	Gasket	
7	87 25 053	1	1981- (87 15 393)	Gasket	
8	83 14 502	1	Paper gasket	Gasket	
8	75 14 946	1	Steel gasket	Gasket	
9	83 44 335	1	Seal Ring	
10	93 39 862	1	-1982	Dipstick Assy., Engine	
11	79 67 573	1	• Seal Ring	
12	93 61 635	1	-1982, Gearbox 466395-, 509971-	Seal	
13	93 61 619	1	-1982, Gearbox 466395-, 509971-	Nipple	
14	93 61 627	1	-1982, Gearbox 466395-, 509971- (Note: Use these seals and nipple when replacing old case with new style)	Seal	
15	93 61 650	1	1983-, B201	Dipstick Assy., Engine	
15	75 14 201	1	B202	Dipstick Assy., Engine	
16	93 61 544	1	• Gasket	
17	93 61 452	1	Nipple	
18	93 61 627	1	Seal	
19	87 03 399	1	Gearbox -442809	Plug, Trans.	
19	87 17 407	1	Gearbox 442810-	Plug, Trans.	
20	87 17 415	1	Gearbox 442810-	Seal Ring	
21	87 11 871	1	Plug, Engine Oil	
22	87 18 439	1	Seal Ring	
23	87 25 038	1 (87 18 785)	Gasket	



TRANSMISSION - AUTOMATIC T35	Group	Page
Gaskets	4	3

Pos.	Part No.	Qty.	Notes	Description
1	83 34 922	1	Dipstick, Trans.
2	83 08 371	1	O-Ring
3	87 08 968	1	Gasket
4	87 08 356	1	Oil Pan, Front
5	87 08 406	1	Gasket
6	87 08 398	1	Seal Ring
7	83 14 502	1	Gasket
8	83 11 433	1	Dipstick, Engine
9	87 03 464	1	Gasket
10	87 03 399	1	Plug, Final Drive
11	87 08 471	1	Gasket
12	87 08 455	1	Gasket
13	87 18 439	1	Seal Ring
14	87 11 871	1	Plug, Engine Oil
15	87 05 865	1	Gasket
16	75 42 665	1	Gasket



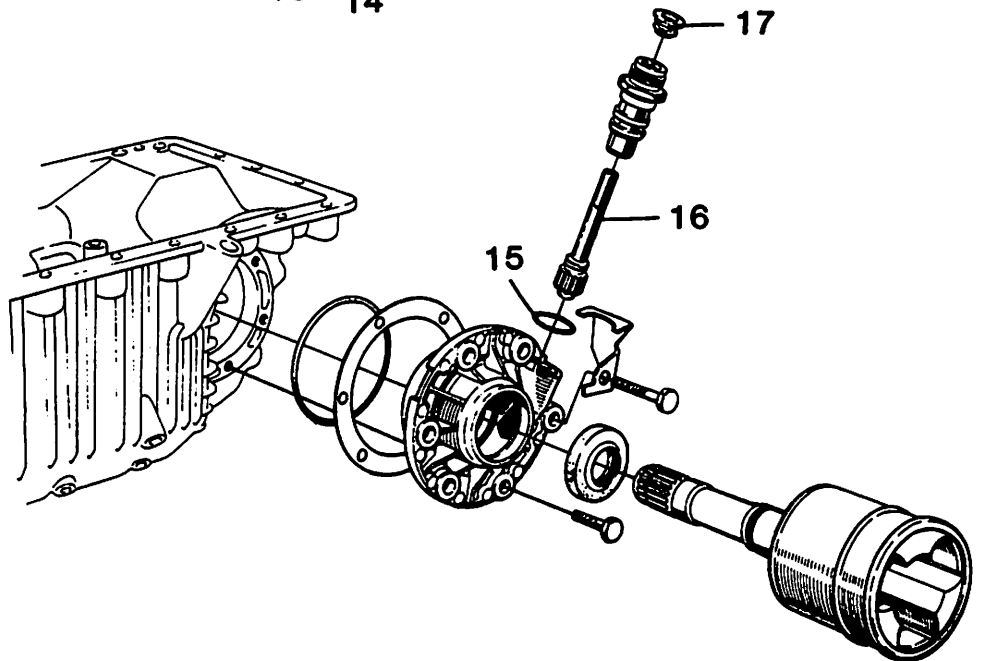
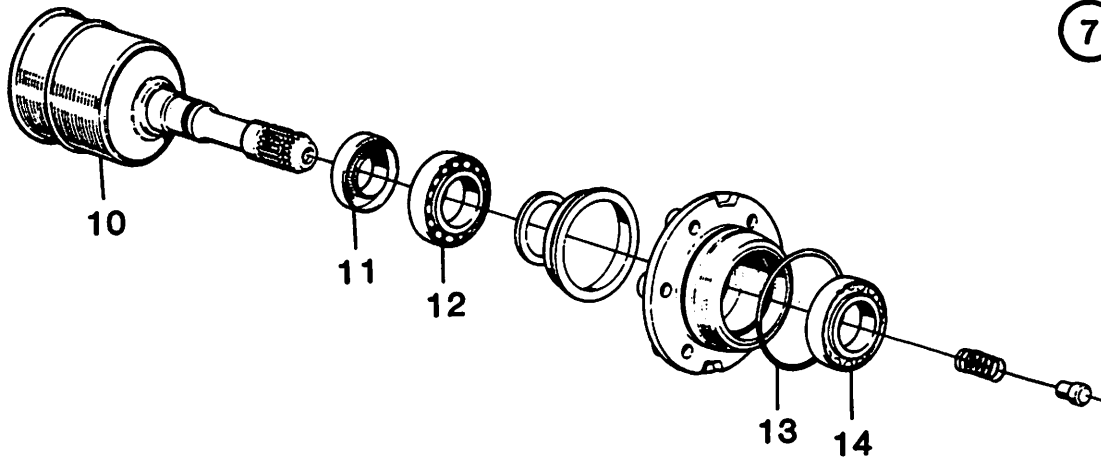
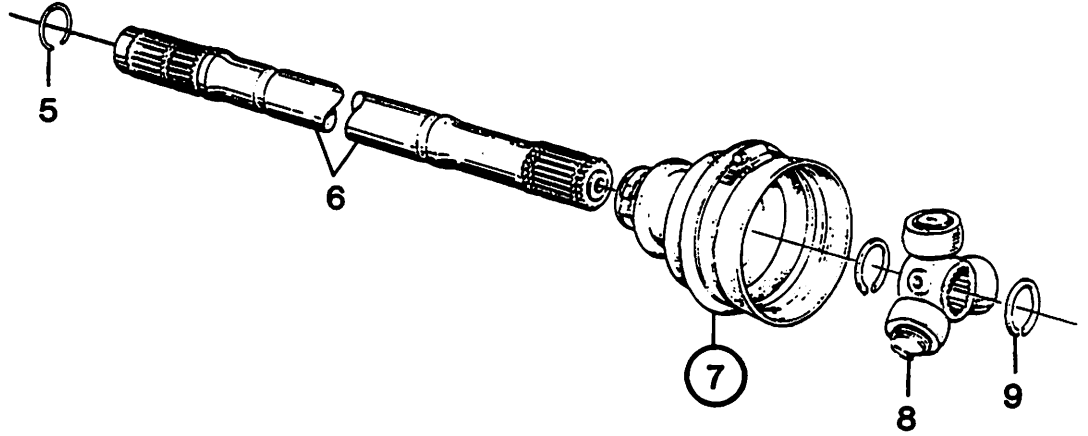
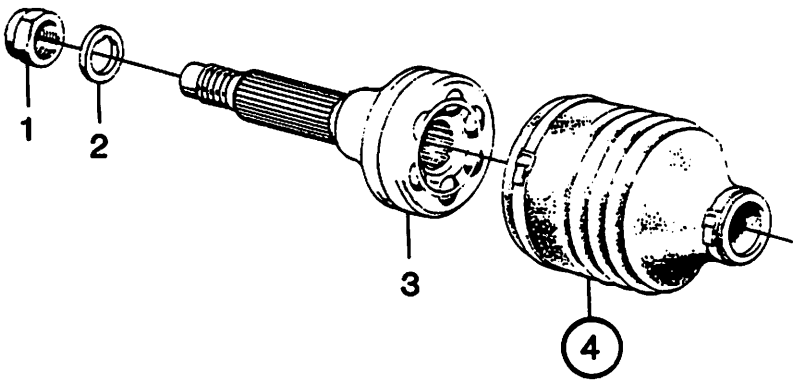
TRANSMISSION - AUTOMATIC T37

Gaskets

Group
4

Page
4

Pos.	Part No.	Qty.	Notes	Description
1	75 45 502	1	See S.I. 01/85-730 (93 28 683)	Dipstick, Trans.
2	83 08 371	1	O-Ring
3	93 35 407	1	Gasket
4	75 47 193	1	See S.I. 02/86-821	Oil Pan, Front
5	93 35 423	1	Gasket
6	87 08 398	1	Seal Washer
7	87 08 380	1	Plug, Trans.
8	83 11 433	1	-1982	Dipstick, Engine Oil
9	93 61 635	1	-1982 Gearbox 001/7512-, 002/11340-.	Seal
10	93 61 619	1	-1982 Gearbox 001/7512-, 002/11340-.	Nipple
11	93 61 627	1	-1982 Gearbox 001/7512-, 002/11340-.	Seal
12	93 61 650	1	1983-	Dipstick Assy., Engine Oil
13	93 61 544	1	1983-	• Gasket
14	93 61 627	1	1983-	Seal Washer
15	87 14 842	1	Gasket
16	87 03 399	1	Gearbox - 001/7511, -002/11782.	Drain Plug, Final Drive
16	87 17 407	1	Gearbox 001/7512-, 002/11783-.	Drain Plug, Final Drive
17	87 17 415	1	Gearbox 001/7512-, 002/11783-.	Seal Washer
18	87 11 871	1	Drain Plug, Engine Oil
19	87 18 439	1	Seal Washer
20	93 35 456	1	Gasket
21	93 34 780	1	Gasket
22	75 42 665	1	Gasket
23	75 14 946	1 (83 14 502)	Gasket

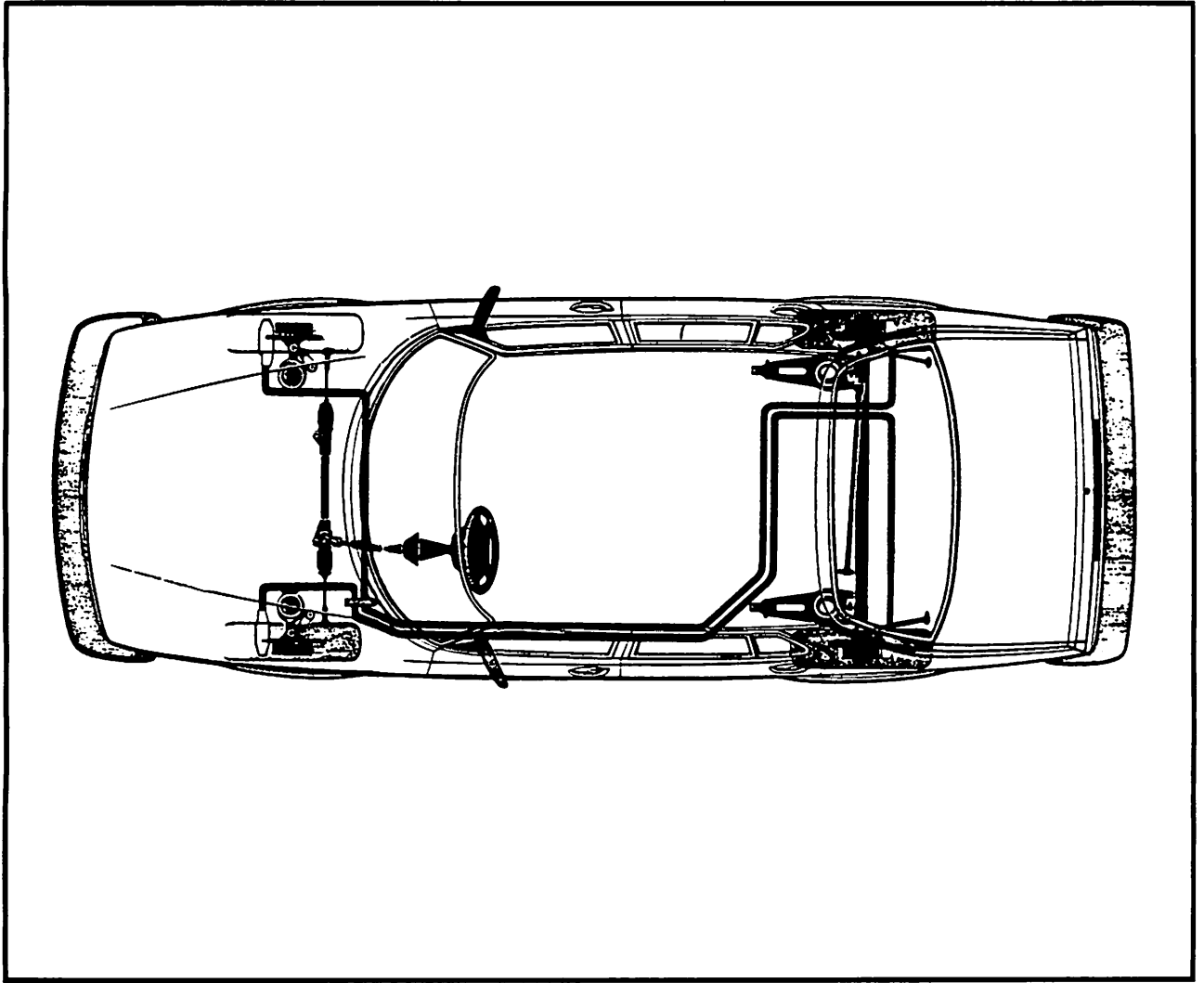


TRANSMISSION				Group	Page
Drive Shafts				4	5
Pos.	Part No.	Qty.	Notes	Description	
1	89 21 785	2	1979-	Lock Nut	
1	89 64 710	2	1986-	Lock Nut	
2	89 21 793	2	1979-80	Cone Ring	
2	00 22 467	2	1979-80 Turbo	Cone Ring	
2	89 42 757	2	1981-	Washer	
3	89 21 728	2	1979-80	Outer Universal	
3	89 42 633	2	1981-85 See MS 275	Outer Universal	
3	89 90 574	2	1986-	Outer Universal	
4	89 93 149	2	Bellows Kit	
5	89 21 520	2	Lock Ring	
6	89 34 382	1	-C1005903, -C2001783 See MS 164.	Drive Shaft LH	
6	89 34 390	1	-C1005903, -C2001783 See MS 163.	Drive Shaft RH	
6	89 45 420	1	1)	Drive Shaft LH	
6	89 45 438	1	1)	Drive Shaft RH	
6	91 02 823	1	2) (89 90 731)	Drive Shaft LH	
6	91 02 831	1	2) (89 90 749)	Drive Shaft RH	
7	89 93 073	2	-G2009922, -G3007065, -G7011597.	Bellows Kit	
7	89 61 872	2	2)	Bellows Kit	
8	89 45 735	2	-G2009922, -G3007065, -G7011597.	Carrier	
8	89 50 628	2	2)	Carrier	
9	89 16 975	4	-C1005903, -C2001783.	Lock Ring	
9	89 45 727	2	1)	Lock Ring	
9	89 50 628	2	2)	Lock ring	
10	87 04 264	2	-G2009922, -G3007065, -G7011597.	Inner Driver	
10	87 22 472	2	2)	Inner Driver	
11	87 04 298	2	Seal Ring	
12	87 04 306	2	Bearing	
13	83 42 701	2	O-Ring	
14	87 08 836	2	Bearing	
15	87 11 707	1	O-Ring	
16	87 23 900	1	Speedo Gear	
17	87 13 463	1	Seal Ring	

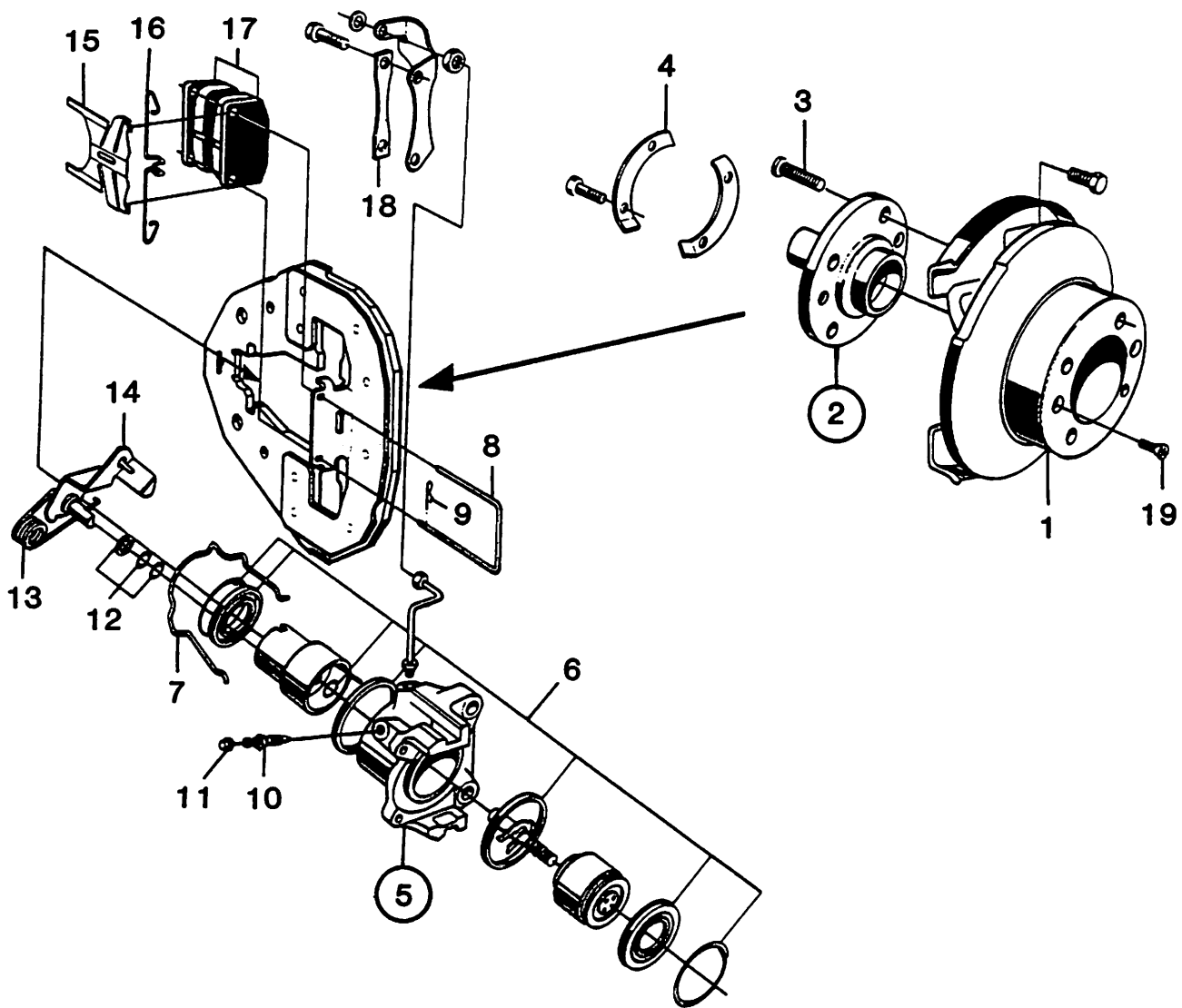
1) C1005904-, C2001784-, -G2009922, -G3007065, -G7011597

2) 1985- B202 Turbo
1986- Cars with Automatic
G2009923-, G3007066-, G7011598-

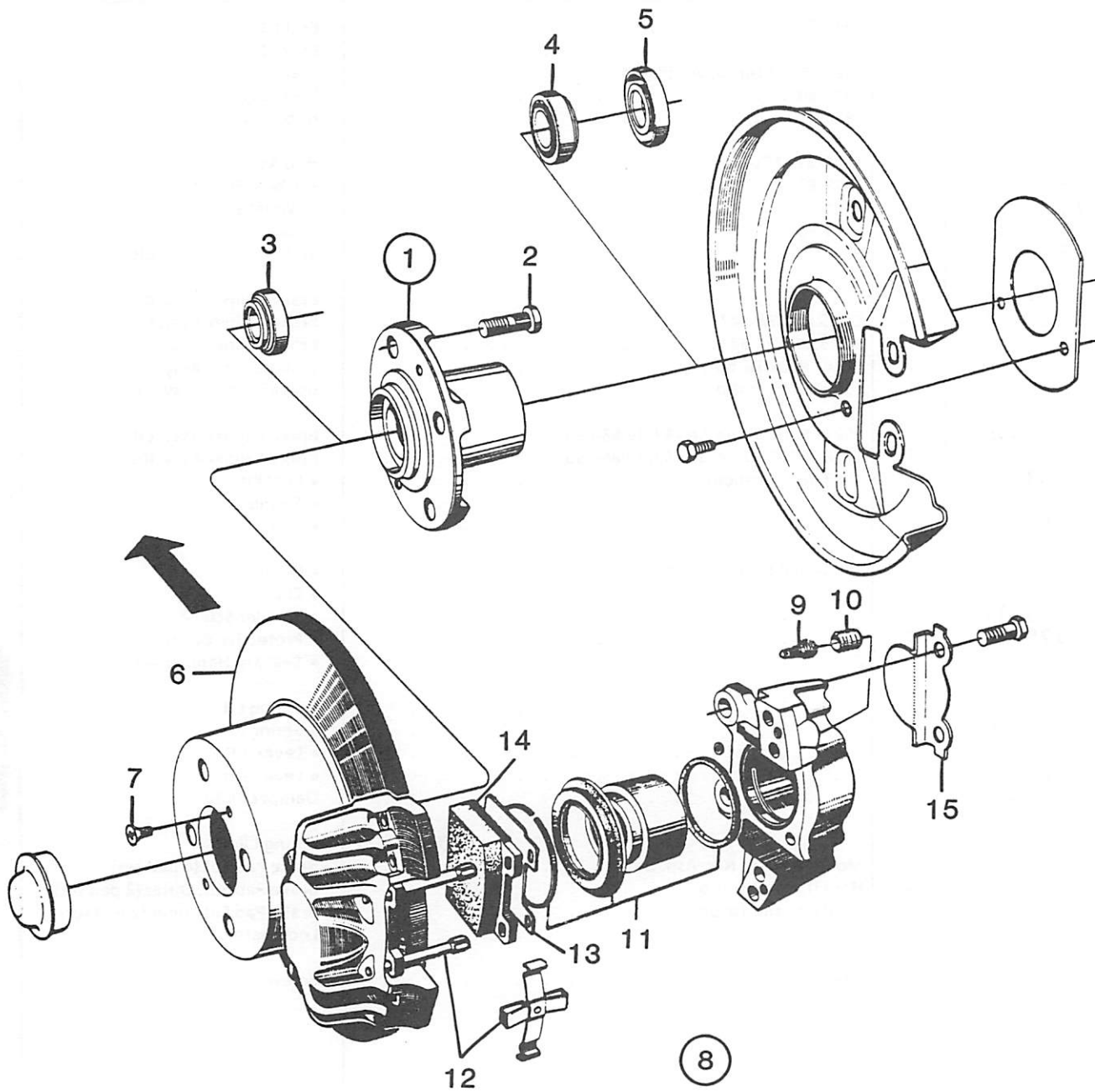
BRAKES



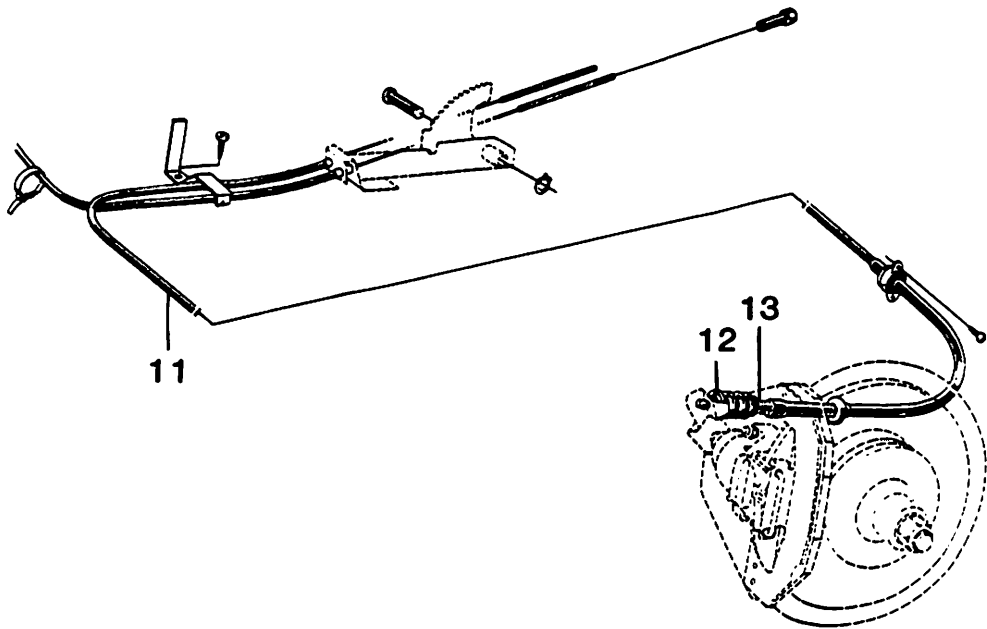
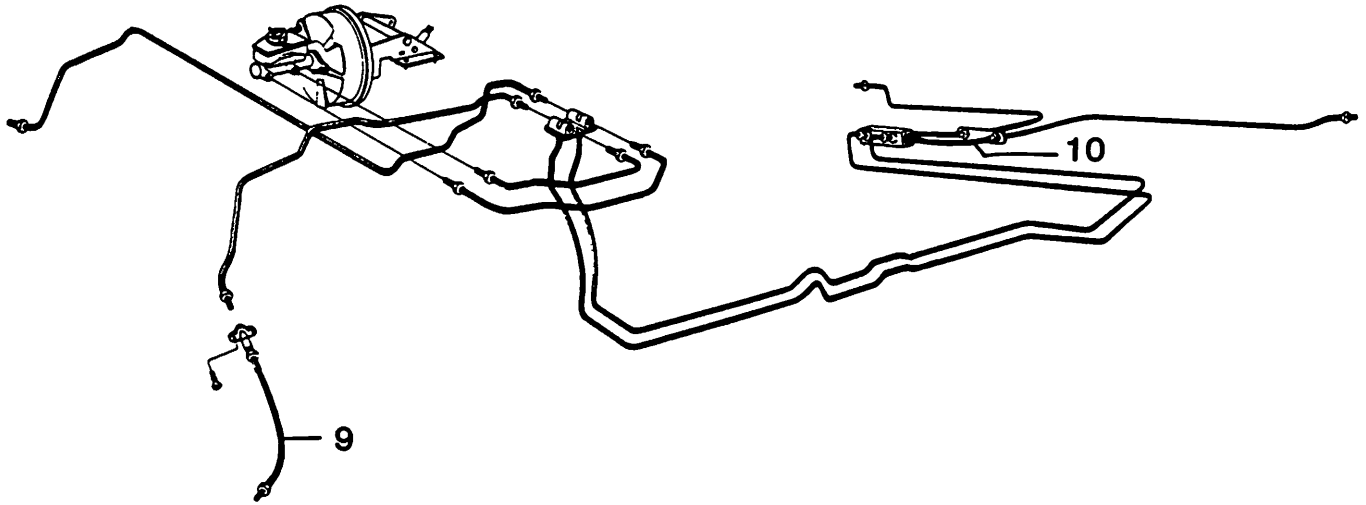
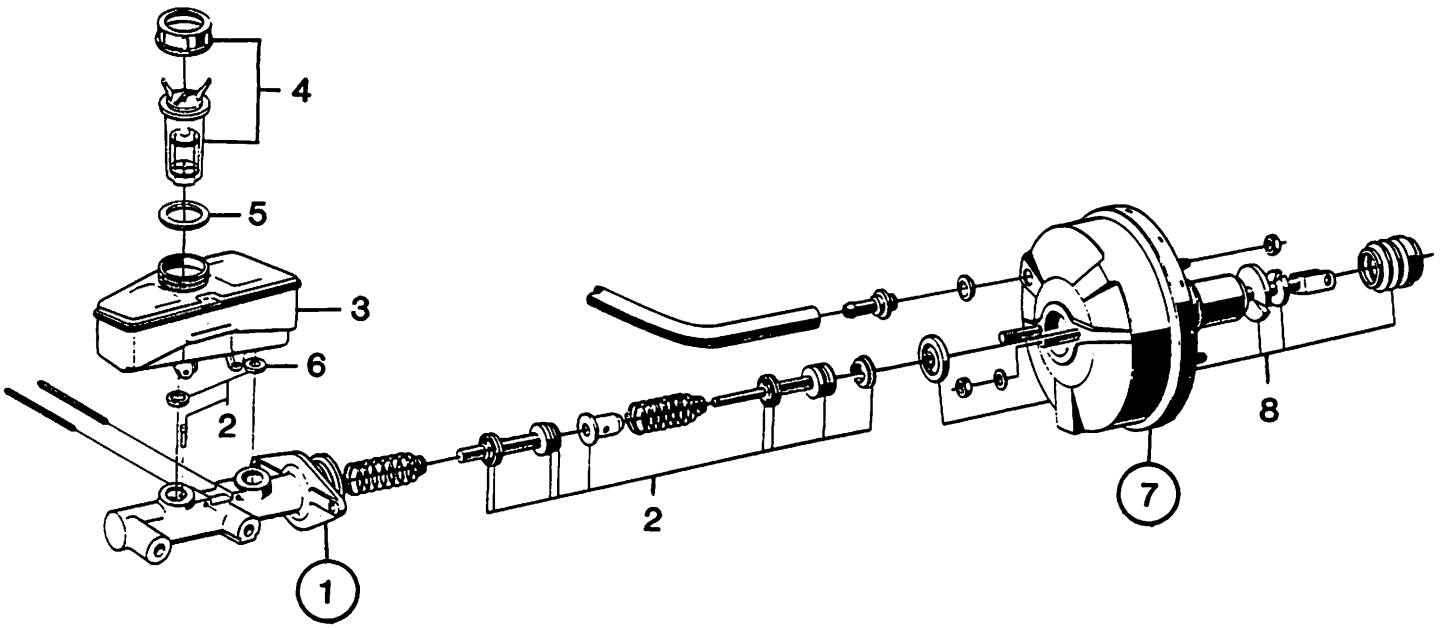
GROUP 5



BRAKES				Group	Page
Front				5	1
Pos.	Part No.	Qty.	Notes	Description	
1	89 34 036	2	1979-80	Brake Disc	
1	89 41 981	2	1981-	Brake Disc	
1	89 88 602	2	1986- B202 Turbo, Ventilated	Brake Disc	
2	89 39 357	2	1979-80	Hub Assy.	
2	89 42 773	2	1981-	Hub Assy.	
2	89 90 525	2	1986 B202 Turbo	Hub Assy.	
3	89 28 137	8	1979-80	• Wheel Screw	
3	89 07 941	8	1981-	• Wheel Screw	
4	89 27 931	4	1979-80	Lock Plate	
5	78 74 720	1	Brake Caliper Assy. LH	
5	78 74 738	1	Brake Caliper Assy. RH	
5	91 02 807	1	See S.I. 05/86-847	Brake Caliper Assy. LH	
5	91 02 815	1	See S.I. 05/86-847	Brake Caliper Assy. RH	
5	89 90 566	1	1986- B202 Turbo	Brake Caliper Assy. LH	
5	89 90 624	1	1986- B202 Turbo	Brake Caliper Assy. RH	
5	91 03 458	1	1986- B202 Turbo See S.I. 10/86-895	Brake Caliper Assy. LH	
5	91 03 466	1	1986- B202 Turbo See S.I. 10/86-895	Brake Caliper Assy. RH	
6	89 93 255	2	1983 Specifications.	• Seal Kit	
7	89 41 965	2	• Spring	
8	89 90 194	2	• U-Pin	
8	91 00 108	2	1986- B202 Turbo	• U-Pin	
9	89 25 067	2	• Clip	
10	89 25 034	2	• Bleeder Screw	
11	89 25 042	2	• Protective Cover	
12	89 94 535	2	• Seal Kit, Hand Brake	
13	89 25 372	1	• Spring LH	
13	89 25 380	1	• Spring RH	
14	89 25 414	1	• Lever, LH	
14	89 25 422	1	• Lever, RH	
15	89 30 448	2	Damper Plate	
16	91 03 995	2 (89 30 463)	Spring Clip	
17	89 93 297	1	Moderate use. Nat. Asp. Only	Brake Pad Set (4 pad set)	
17	91 02 690	1	Hard Use and Turbo	Brake Pad Set, Outer (2 pad set)	
17	91 02 708	1	Hard Use and Turbo	Brake Pad Set, Inner (2 pad set)	
18	89 38 110	2	Lock Plate	
19	80 55 998	4	1981-	Screw	



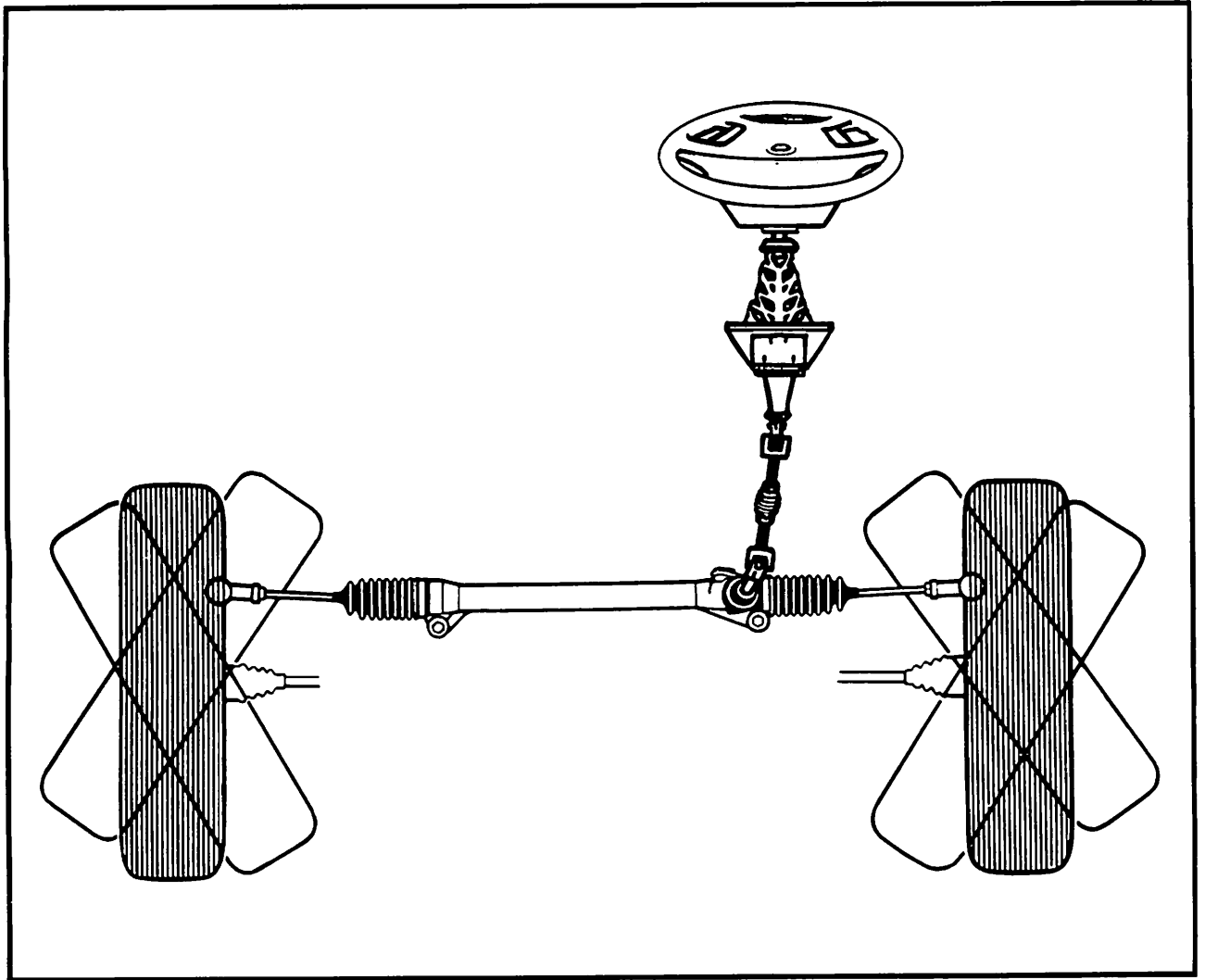
BRAKES				Group	Page
Rear				5	2
Pos.	Part No.	Qty.	Notes	Description	
1	89 35 868	2	-C1021263, -C2007508.	Hub Assy.	
1	89 47 384	2	Includes Bearings, C1021264-, C2007509-	Hub Assy.	
2	89 07 941	8		• Wheel Screw	
3	89 34 622	2	-C1021263, -C2007508.	Bearing	
4	89 34 655	2	-C1021263, -C2007508.	Bearing	
5	89 34 689	2	-C1021263, -C2007508.	Seal ring	
6	89 04 575	2		Brake Disc	
7	80 55 998	4		Screw	
8	91 02 765	1		Brake Caliper Assy. LH	
8	91 02 773	1		Brake Caliper Assy. RH	
9	89 08 568	2		• Bleeder Screw	
10	89 08 576	2		• Protective Cover	
11	89 94 840	2		• Seal Kit	
12	78 74 530	1		• Kit, Lock Pin and Retaining Spring	
13	89 11 737	2		• Twist Stop LH	
13	89 11 745	2		• Twist Stop RH	
14	89 93 230	1		• Brake Pad Set	
15	89 34 770	2		Lock Plate	



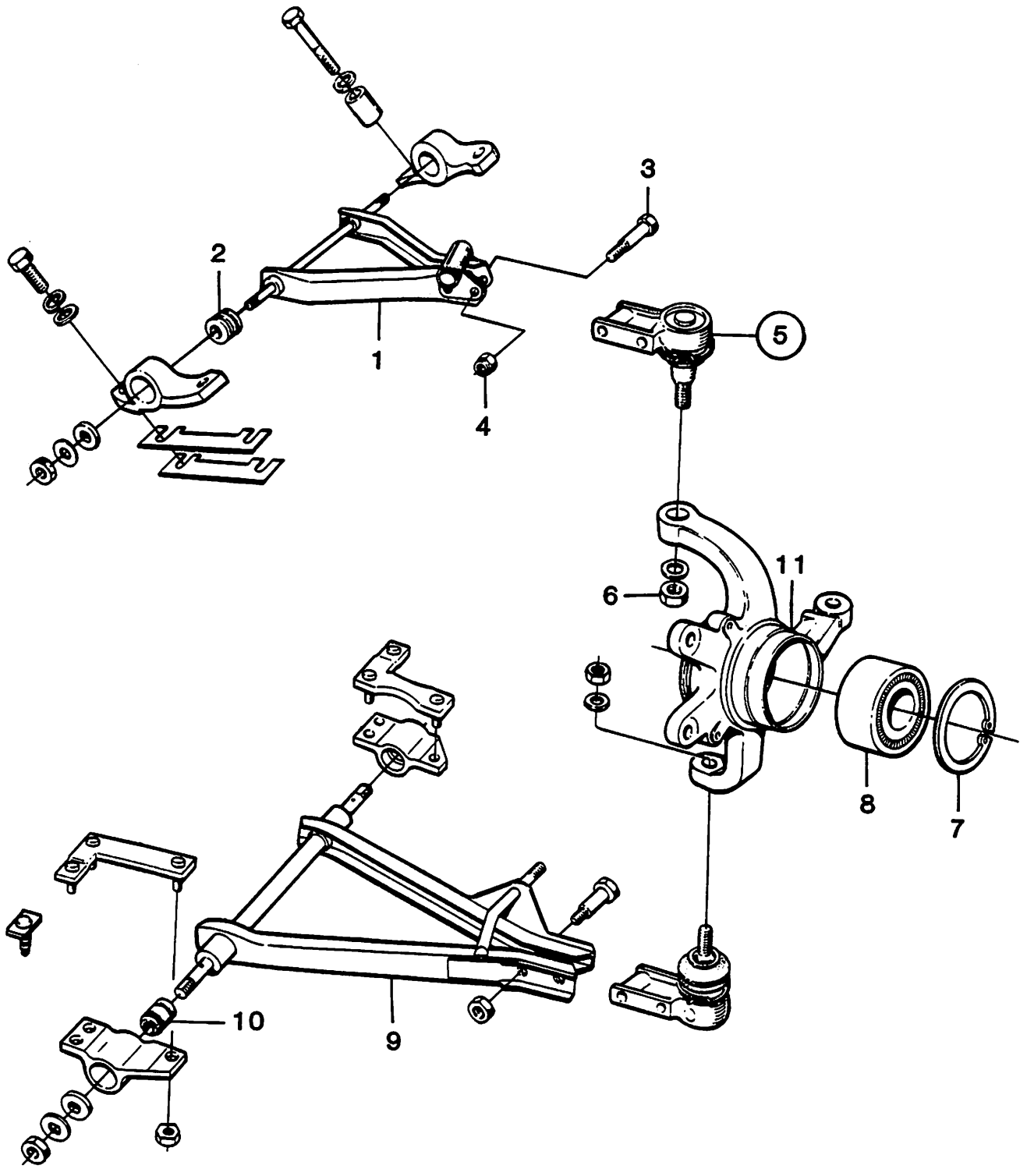
BRAKES				Group	Page
Hydraulics and Cables				5	3
Pos.	Part No.	Qty.	Notes	Description	
1	89 48 127	1	1979 - 85 See MS 282	Master Cyl. Assy.	
1	91 00 652	1	1986	Master Cyl. Assy.	
2	89 94 972	1	• Seal Kit	
3	89 94 964	1	• Container Assy.	
4	89 36 080	1	1979 - 85	•• Level Gauge	
4	91 00 595	1	1986	•• Level Gauge	
5	89 36 106	1	••• Seal	
6	89 28 426	2	•• Seal	
7	89 42 609	1	Power Booster	
8	89 10 705	1	• Seal Kit	
9	89 40 819	2	Front Brake Hose	
10	89 31 784	2	Rear Brake Hose	
11	89 37 898	2	Handbrake Cable	
12	89 27 923	2	Protective Bellows	
13	79 15 093	2	Retaining Ring	

FRONT SUSPENSION

STEERING



GROUP 6



FRONT SUSPENSION/STEERING

Group

Page

6

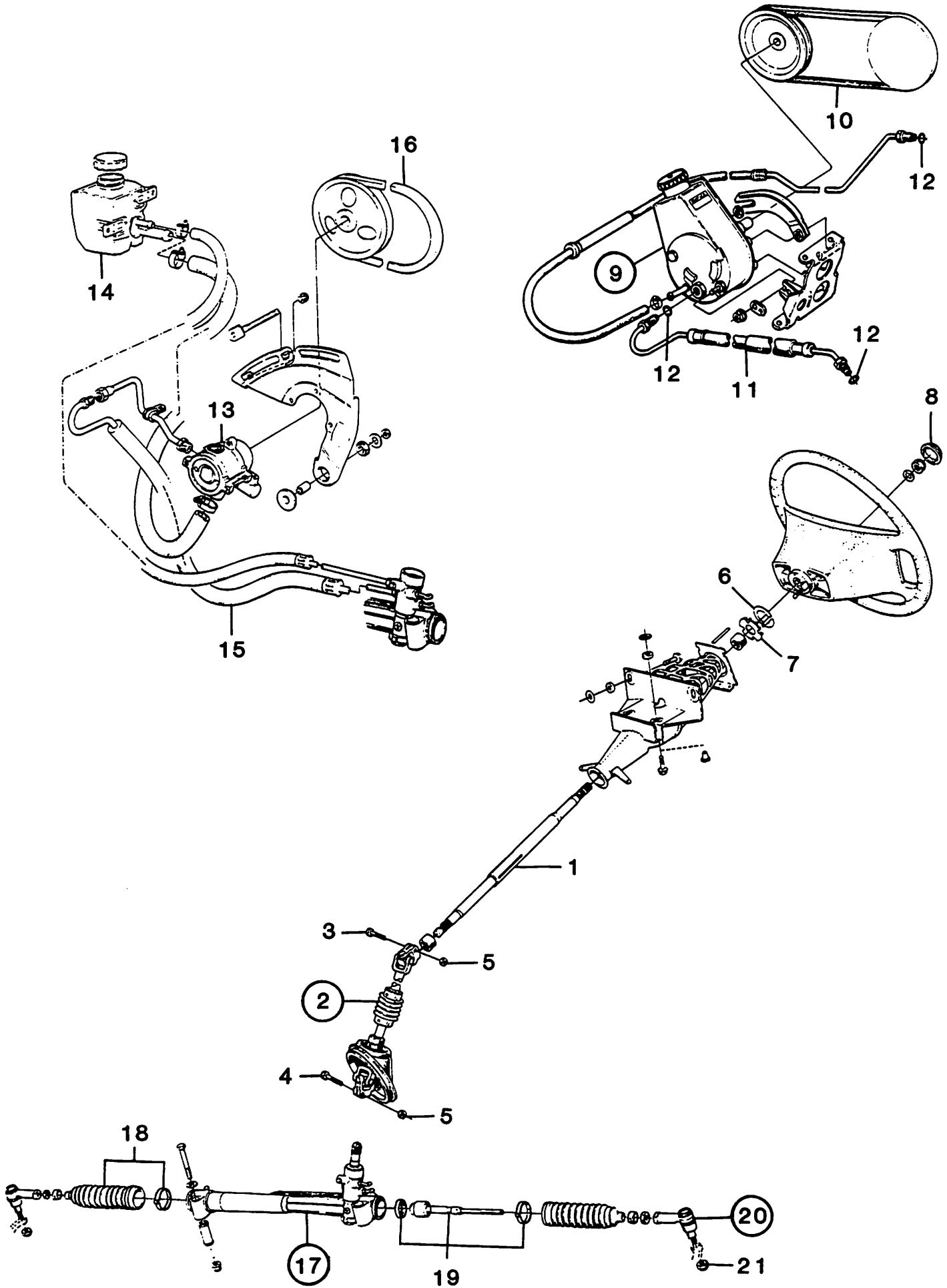
1

Suspension

Pos.	Part No.	Qty.	Notes	Description
1	89 41 015	1	Upper Control Arm LH
1	89 41 023	1	Upper Control Arm RH
2	71 63 603	4	Bushing, Upper
3	73 28 289	8	1)	Bolt
3	89 90 012	8	2)	Bolt
4	79 18 717	8	1)	Nut
4	79 69 306	8	2)	Nut
5	89 93 321	4	Ball Joint Assy., Kit
6	79 18 733	4	• Nut
7	89 22 734	4	1979 - 80.	Retaining Ring
7	79 72 581	4	1981-.	Retaining Ring
8	89 22 205	2	1979-80	Ball Bearing
8	89 42 765	2	1981-.	Ball Bearing
9	89 34 788	1	Lower Control Arm LH
9	89 34 796	1	Lower Control Arm RH
10	71 84 443	4	Bushing, Lower
11	89 22 700	2	1979 - 80.	Steering Knuckle
11	89 41 858	1	1981-.	Steering Knuckle, LH
11	89 41 866	1	1981-.	Steering Knuckle, RH

1) -E1037161, other production lines -1984
See MS 273

2) E1037162-, other production lines 1985-
Cars with stabilizer bars



FRONT SUSPENSION/STEERING

Steering Column - P/S Pump, Rack

Group

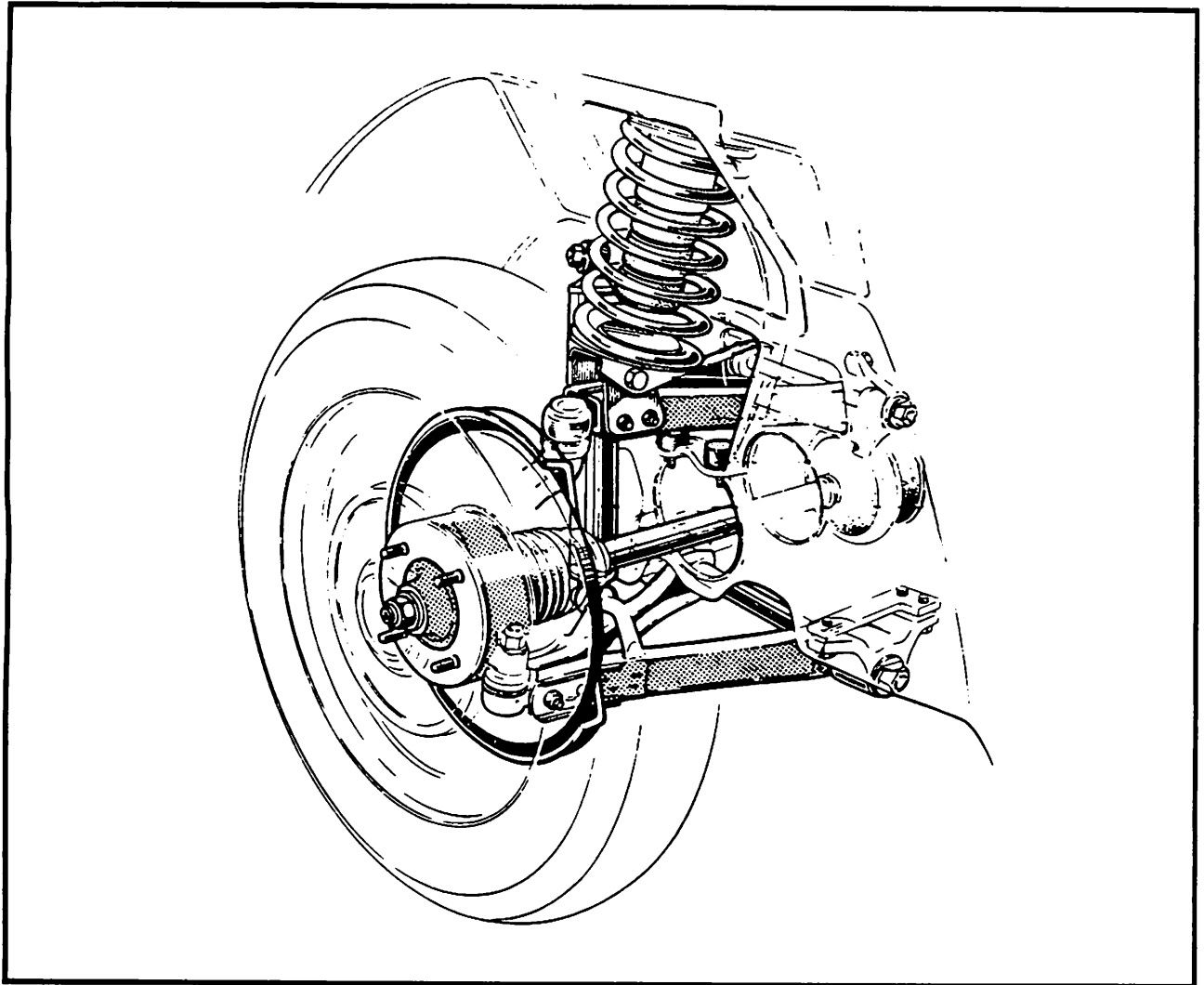
6

Page

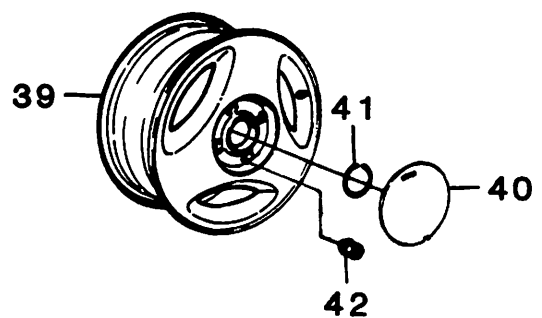
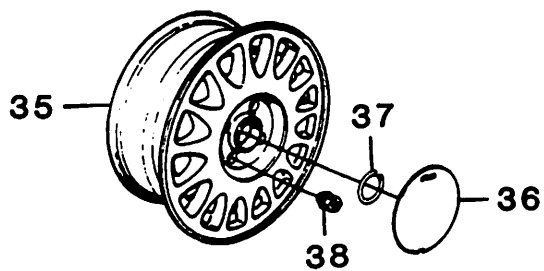
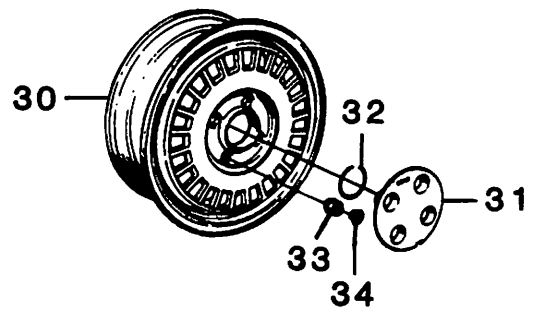
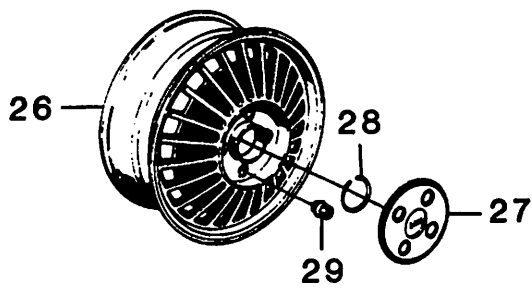
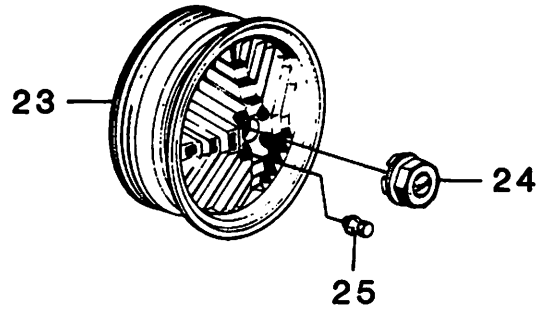
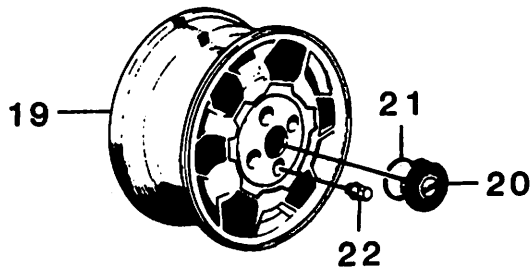
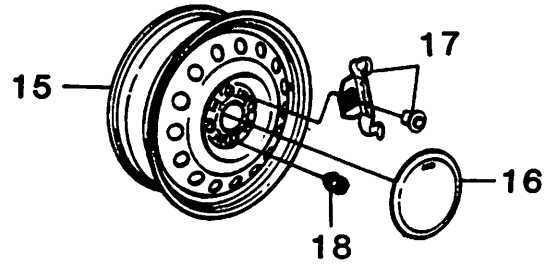
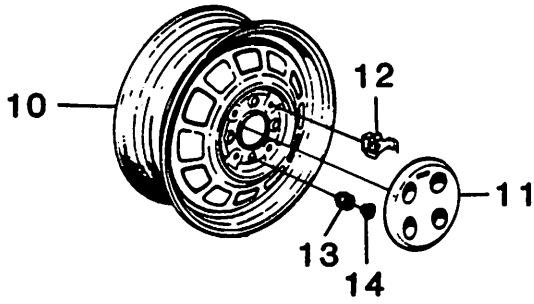
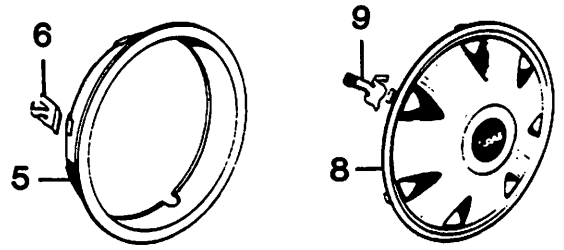
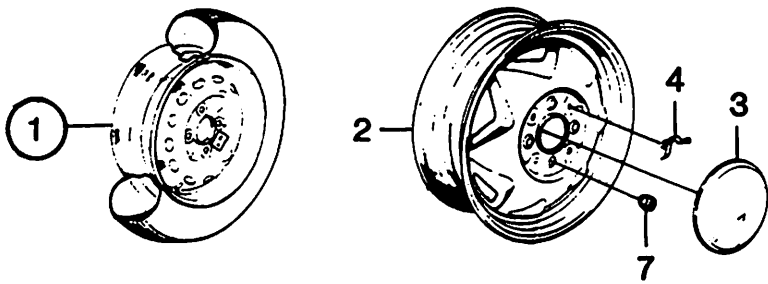
2

Pos.	Part No.	Qty.	Notes	Description
1	76 05 256	1	Steering Wheel Shaft
2	89 48 044	1	Intermediate Shaft Assy.
3	79 67 789	1	Screw
4	79 72 334	1	Screw
5	79 68 415	2	Nut
6	89 36 411	1	Contact Ring
7	89 36 403	1	Retainer
8	89 89 659	1	1985-	Emblem
9	89 36 288	1	-90801011973, -90802003663 See MS 146	P/S Pump
9	89 43 359	1	90801011974-, 90802003664-, -B1005207, -B2001577	P/S Pump
9	89 85 087	1	B1005208-, B2001578-.	P/S Pump
10	83 39 921	1	1979-80	V-Belt
10	93 47 048	1	-C1022811, -C2008119.	V-Belt
10	93 61 791	1	C1022812-, C2008120-.	V-Belt
11	89 37 468	1	1979 - 80.	Pressure Hose Assy.
11	89 42 575	1	1981-.	Pressure Hose Assy.
12	89 37 500	3	O-Ring
13	91 01 585	1	B202 (89 91 689)	P/S Pump
14	89 86 069	1	B202	Container
15	89 42 575	1	B202	Pressure Hose
16	83 39 921	1	B202	V-Belt
17	89 36 460	1	P/S Rack Assy.
18	89 93 099	2	• Bellows Kit
19	89 88 941	2	• Tie Rod Kit
20	89 93 354	2	• Tie Rod End Kit
21	80 73 546	2	Not included with 89 36 460	•• Lock Nut

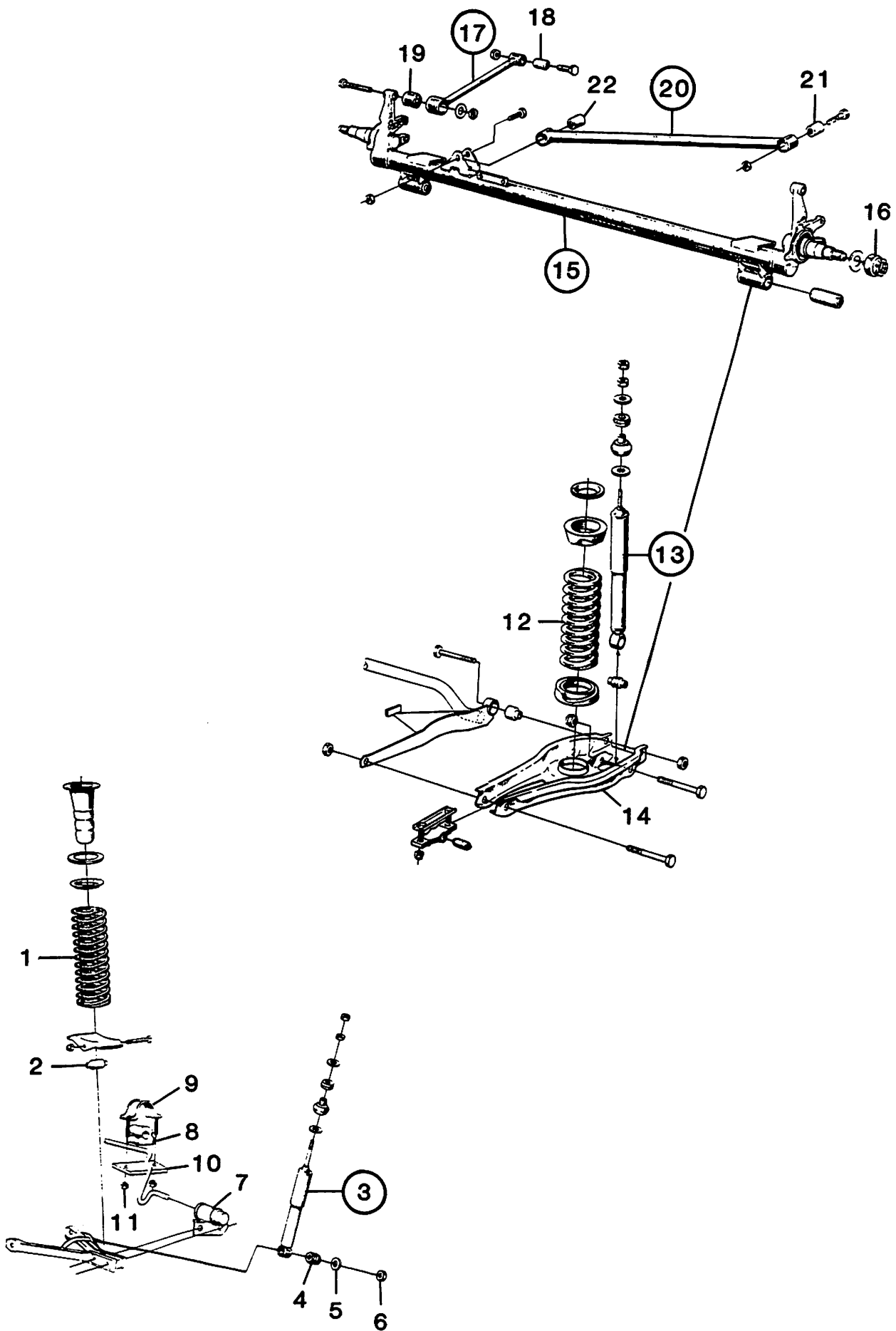
WHEELS AND SUSPENSION



GROUP 7

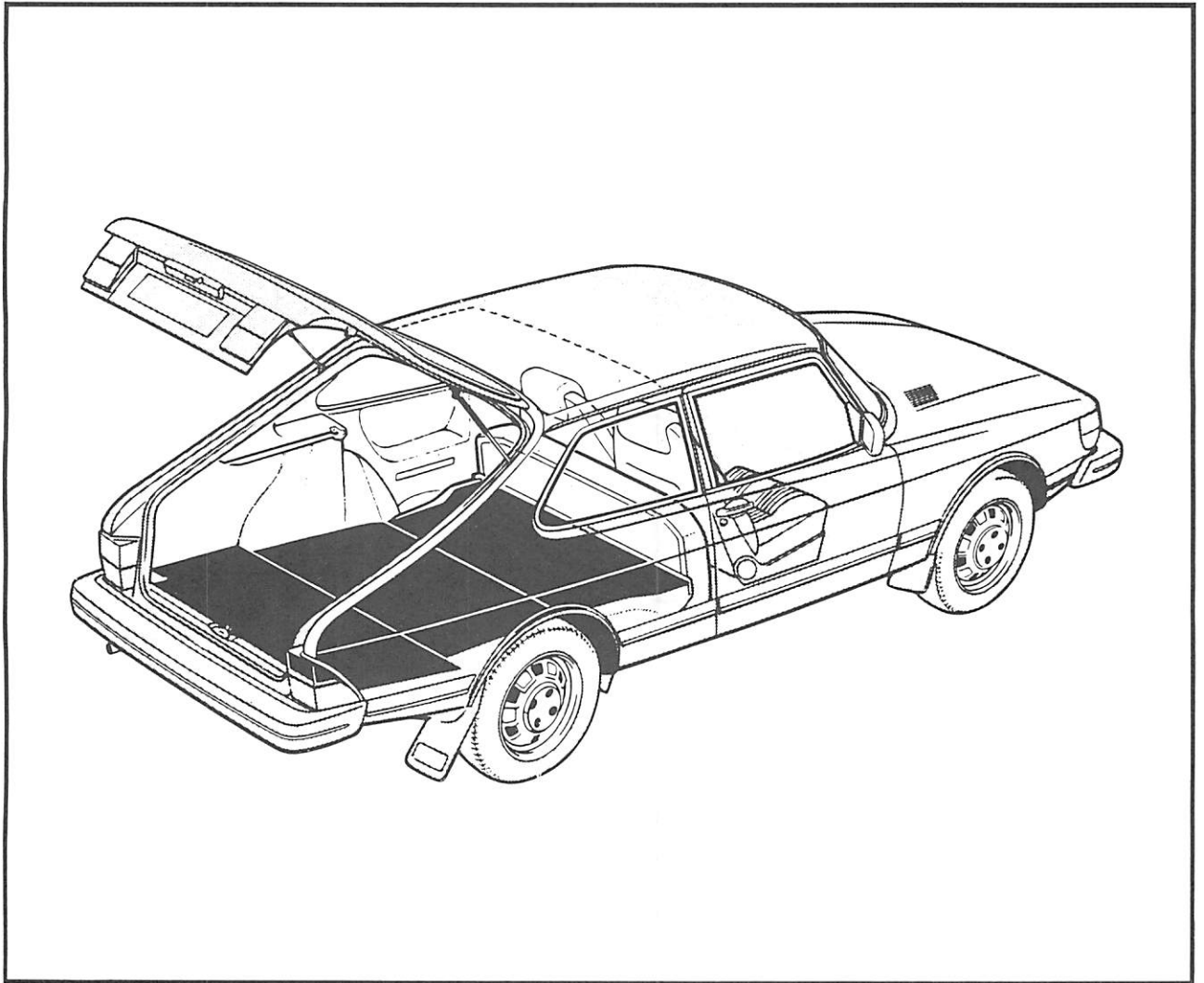


WHEELS AND SUSPENSION				Group	Page
Wheels				7	1
Pos.	Part No.	Qty.	Notes	Description	
1	89 91 598	1	90791024933-, 90792002096-	Space Saver Spare Assy.	
2	89 34 820	4	1979-81 5 " Base 900	Steel Wheel	
3	89 35 819	4	1979-81	Hubcap	
4	89 43 029	16	1979-81	Clip	
5	89 41 452	4	1979-81	Trim Ring	
6	89 43 482	16	1979-81	• Clip	
7	89 09 145	16	.	Lug Nut	
8	89 35 835	4	GLE	Hubcap	
9	89 43 672	28	.	• Clip	
10	89 46 774	4	1982-84 5.5 " Base 900	Steel Wheel	
11	89 47 186	4	1982-84	Hubcap	
12	89 47 491	8	1982-84	Clip	
13	89 47 277	16	1982- Black	Lug Nut	
14	89 47 780	16	.	• Plug	
15	89 87 836	4	1985- 5.5 " Base 900	Steel Wheel	
16	89 87 596	4	1985-	Hubcap	
17	91 01 510	8	1985-	Clip Kit	
18	89 47 277	16	1982-	Lug Nut	
19	00 22 319	4	1979-80 EMS	Alloy Wheel	
20	00 22 327	4	.	Emblem Cap	
21	00 22 335	4	.	• Tension Ring	
22	02 05 021	16	.	Lug Nut	
23	00 22 343	4	1979-80 Turbo 3CK	"INCA" Alloy Wheel	
24	00 22 483	4	.	Emblem Cap	
25	02 05 021	16	.	Lug Nut	
26	00 22 970	4	135 x 390 mm 1979-80 Turbo 5CK, 1980 GLE Touring, 1981 Turbo, See MS 250	TRX Alloy Wheel	
27	00 24 125	4	.	Hubcap	
28	89 38 458	4	.	• Tension Ring	
29	02 05 021	16	.	Lug Nut	
30	00 24 489	4	1982- "S", 1982-84 Turbo	24-Spoke Alloy Wheel	
31	89 85 483	4	.	Hubcap	
32	89 38 458	4	.	• Tension Ring	
33	89 47 277	16	1982- Black	Lug Nut	
34	89 47 780	16	.	• Plug	
35	91 00 587	4	1985- Turbo	15-Spoke Alloy Wheel	
36	89 87 620	4	.	Hubcap	
37	89 87 802	4	.	• Tension Ring	
38	89 47 277	16	1982- Black	Lug Nut	
39	89 85 970	4	1985- SPG Turbo	SPG Alloy Wheel	
40	89 85 996	4	.	Hubcap	
41	89 38 458	4	.	• Tension Ring	
42	89 47 277	16	1982- Black	Lug Nut	

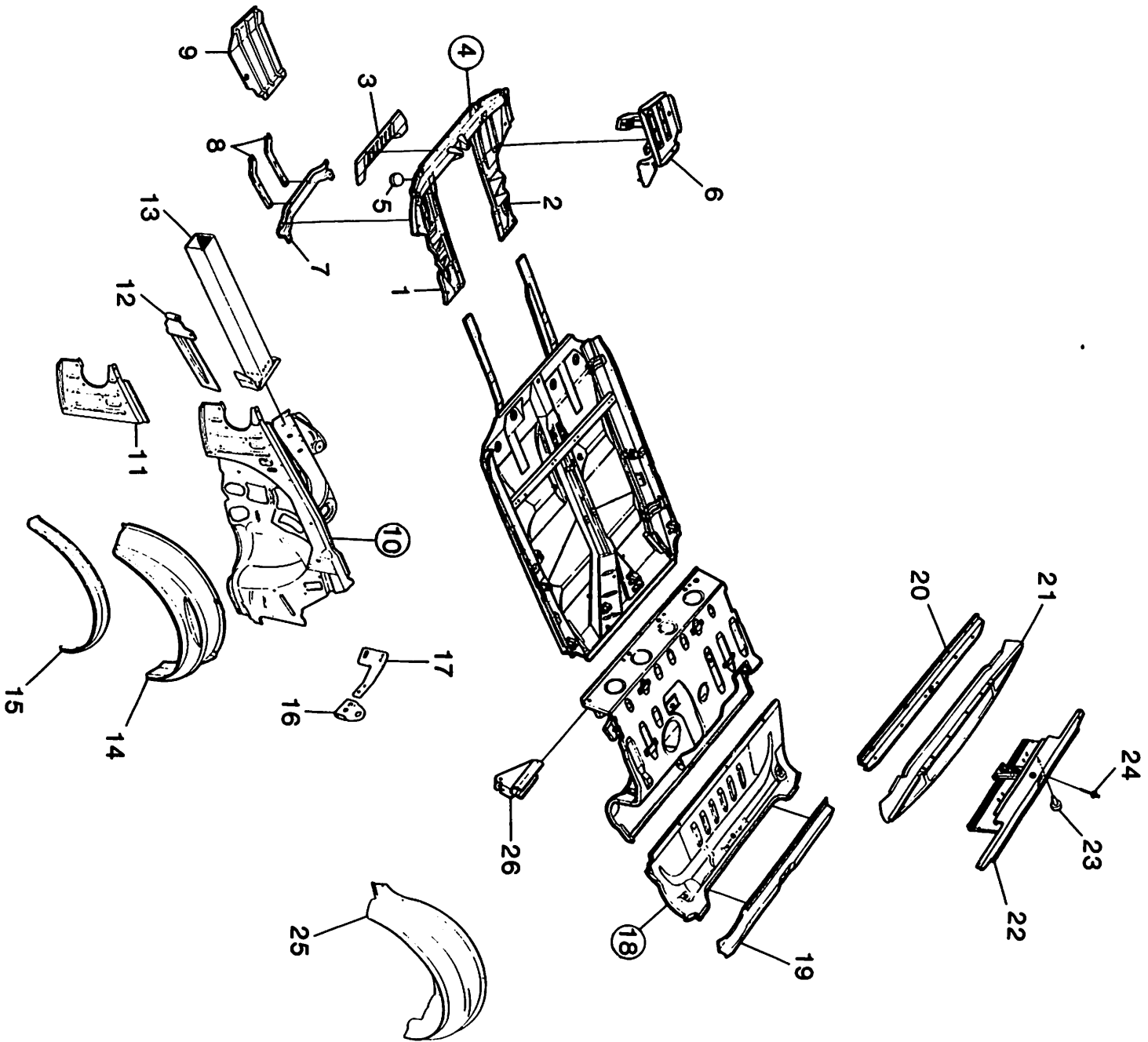


WHEELS AND SUSPENSION				Group	Page
Suspension				7	2
Pos.	Part No.	Qty.	Notes	Description	
1	89 45 776	2	If necessary, use extra spacer ring	Spring, Front	
1	89 89 881	2	1985- B202	Spring, Front	
2	89 31 974	2	Bushing	
3	89 93 404	2	900 (gas-filled)	Shock Absorber Kit, Front	
3	89 93 438	2	-1980 EMS, GLE, 1981- S, -1985 Turbo (gas-filled).	Shock Absorber Kit, Front	
3	89 93 479	2	Cars with Stabilizer Bars (gas-filled)	Shock Absorber Kit, Front	
4	89 32 840	2	•Bushing	
5	89 20 019	2	•Washer	
6	79 04 089	2	•Nut	
7	89 62 656	1	Cars with Stabilizer Bars	Bracket with Bushing, LH	
7	89 62 664	1	Cars with Stabilizer Bars	Bracket with Bushing, RH	
8	89 90 087	2	Cars with Stabilizer Bars	Bushing	
9	89 89 915	2	Cars with Stabilizer Bars	Cap	
10	89 89 907	2	Cars with Stabilizer Bars	Pad	
11	79 74 371	4	Cars with Stabilizer Bars	Nut	
12	89 41 502	2	Spring, Rear	
13	89 93 032	2	-1984 900	Shock Absorber Kit, Rear	
13	89 93 412	2	1985- 900 (gas-filled)	Shock Absorber Kit, Rear	
13	89 39 399	2	-1980 EMS, Turbo 3CK (gas-filled)	Shock Absorber Kit, Rear	
13	89 93 446	2	-1980 Turbo 5CK, GLE, 1981- S, 1981-85 Turbo (gas-filled)	Shock Absorber Kit, Rear	
13	89 93 420	2	Cars with Stabilizer Bars (gas-filled)	Shock Absorber Kit, Rear	
14	89 47 210	2	Spring Link	
15	89 34 499	1	-C1021263, -C2007508.	Rear Axle	
15	89 47 335	1	C1021264-, C2007509-, -F1029809, -F2015343, -F3012344, -F7010668, See MS270	Rear Axle	
15	91 00 298	1	F1029810-, F2015344-, F3012345-, F7010669-.	Rear Axle	
16	89 34 697	2	-C1021263, -C2007508.	Nut	
16	89 21 785	2	C1021264-, C2007509-, -F1029809, -F2015343, -F3012344, -F7010668	Nut	
16	89 64 710	2	F1029810-, F2015344-, F3012345-, F7010669-, Part of 9100 298	Nut	
17	89 32 766	2	-B1019263, -B2006762.	Link	
17	89 44 175	2	B1019264-, B2006763-.	Link	
18	89 32 741	2	•Bushing	
19	89 08 675	2	•Bushing	
20	89 32 071	1	Cross Bar	
21	89 32 014	1	•Bushing	
22	89 30 307	1	•Bushing	

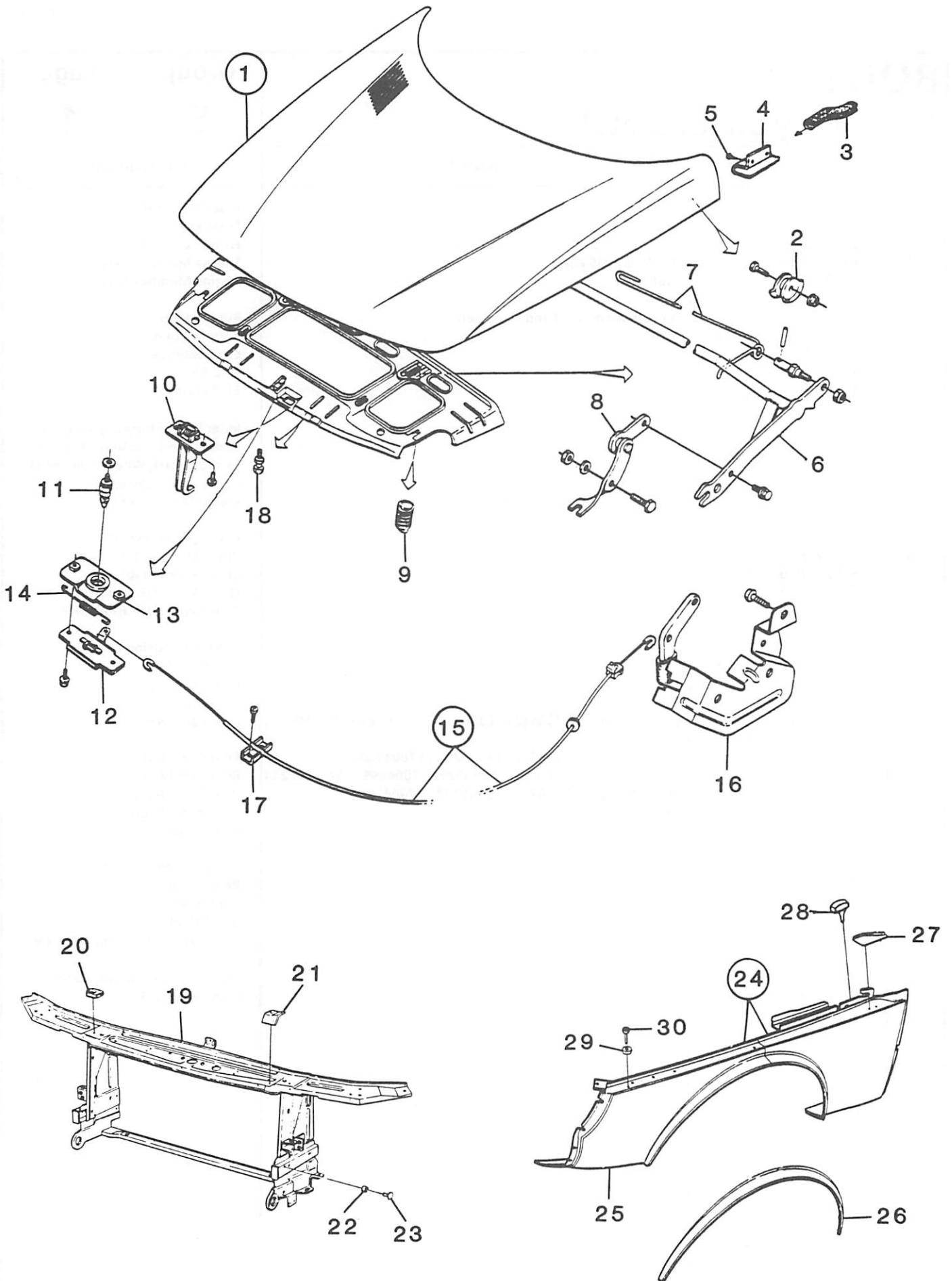
BODY



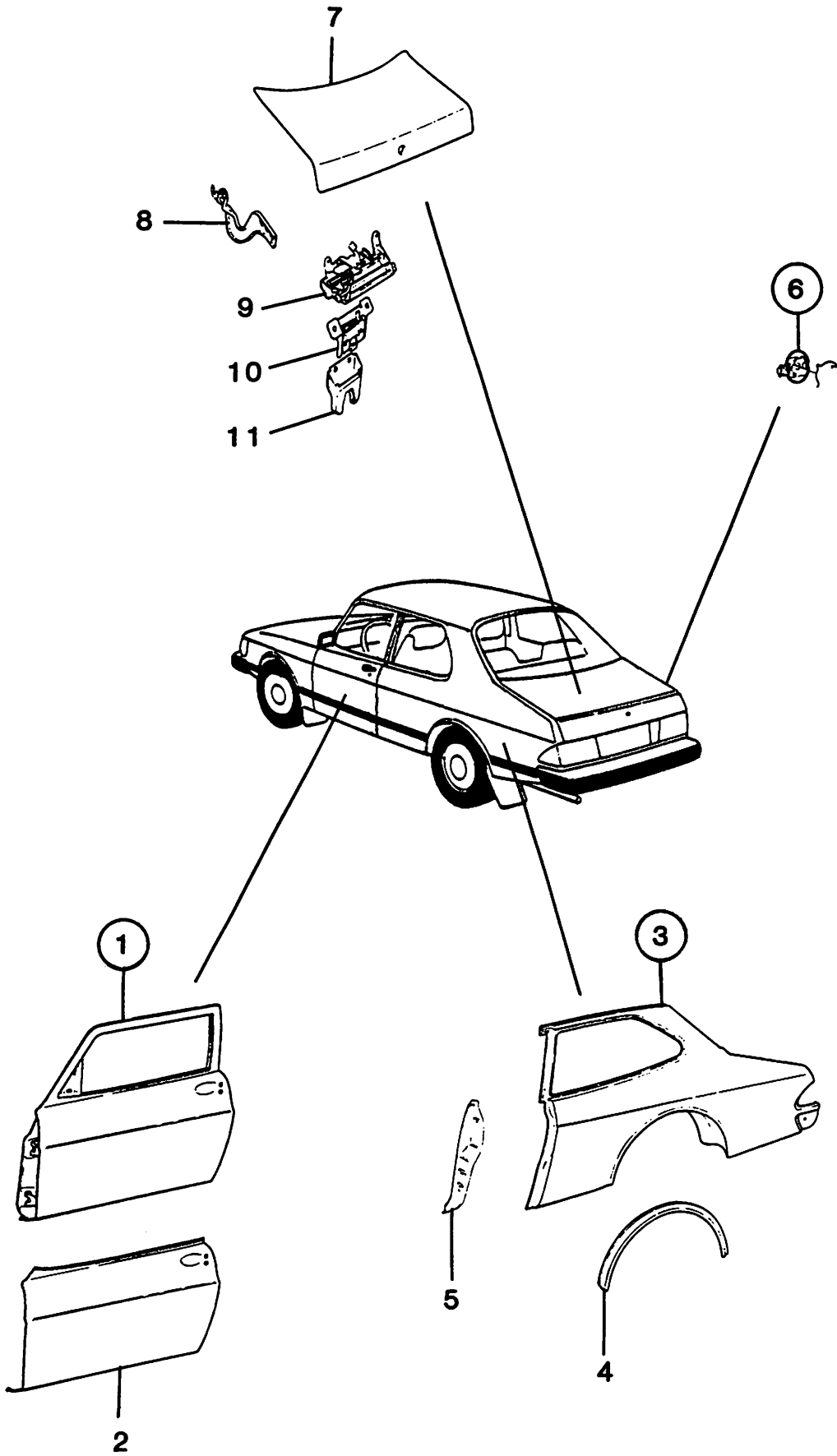
GROUP 8



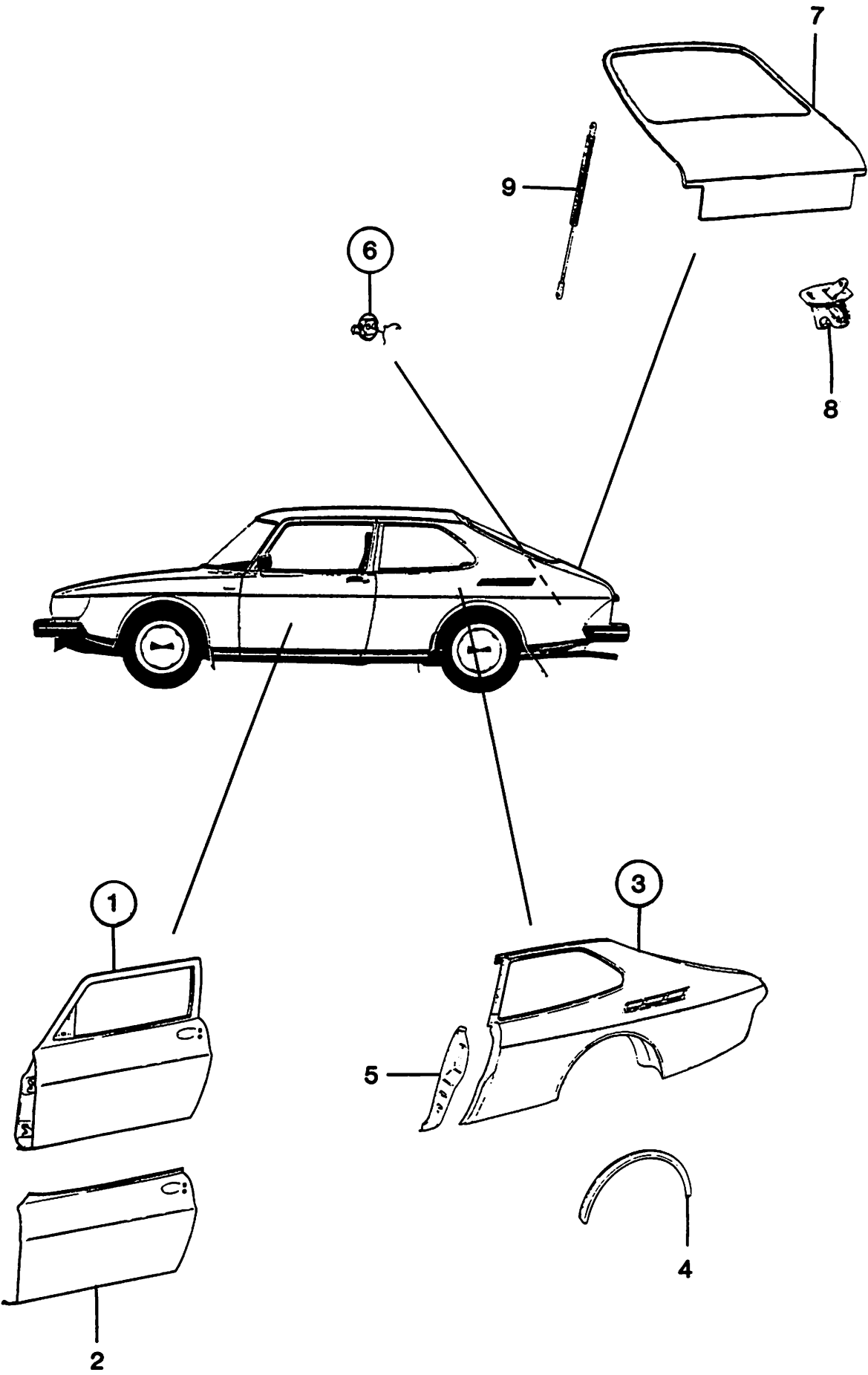
BODY				Group	Page
Main Body Sheet Metal				8	1
Pos.	Part No.	Qty.	Notes	Description	
1	69 12 331	1	Front Floor, LH	
2	69 12 323	1	Front Floor, RH	
3	82 74 383	1	Front Floor, Center	
4	69 12 497	1	-1985 See MS 268	Engine Member Assy.	
4	69 25 523	1	1986-	Engine Member Assy.	
5	71 55 708	2	For cars without oil and air cooler.	Rubber Plug	
6	69 14 139	1	Turbo	Battery Shelf	
7	92 30 079	1	Cross Member	
8	92 30 095	2	Skid Bar	
9	69 39 672	1	Skid Plate	
10	69 25 572	1	Inner Wheel Housing Assy., LH	
10	69 25 580	1	Inner Wheel Housing Assy., RH	
11	78 74 175	1	•• Front Part, Wheel Housing LH	
11	78 74 183	1	•• Front Part, Wheel Housing RH	
12	69 12 364	1	• Bumper Bracket LH	
12	69 12 380	1	• Bumper Bracket RH	
13	69 12 299	1	Crash Member LH	
13	82 74 706	1	Crash Member RH	
14	82 74 359	1	Outer Wheel Housing, LH	
14	82 74 367	1	Outer Wheel Housing, RH	
15	78 74 142	2	• Wheel Housing Edge	
16	82 76 107	2	Hood Bracket	
17	82 76 057	1	Link, LH	
17	82 76 065	1	Link, RH	
18	92 21 631	1	CK -E1014019, -E2006221, -E3005292, -E7004699 See MS 223	Rear Panel Assy.	
18	69 10 608	1	CK E1014020-, E2006222-, E3005293-, E7004700-	Rear Panel Assy.	
18	92 85 388	1	SN -E1014019, -E2006221, -E3005292, -7004699 See MS 244	Rear Panel Assy.	
18	69 10 582	1	SN E1014020-, E2006222-, E3005293-, E7004700-	Rear Panel Assy.	
19	76 01 495	1	CK	• Threshold Support	
20	92 34 287	1	SN	• Cross Member	
21	92 21 656	1	SN	• Bottom Rear Panel	
22	92 35 151	1	SN	Rear Panel	
24	92 31 168	2	SN	Rubber Plug	
23	92 20 880	4	SN	Blind Rivet	
25	82 74 631	1	Outer Wheel Housing Plate, LH	
25	82 74 649	1	Outer Wheel Housing Plate, RH	
26	92 21 383	1	Cross Bar Bracket	



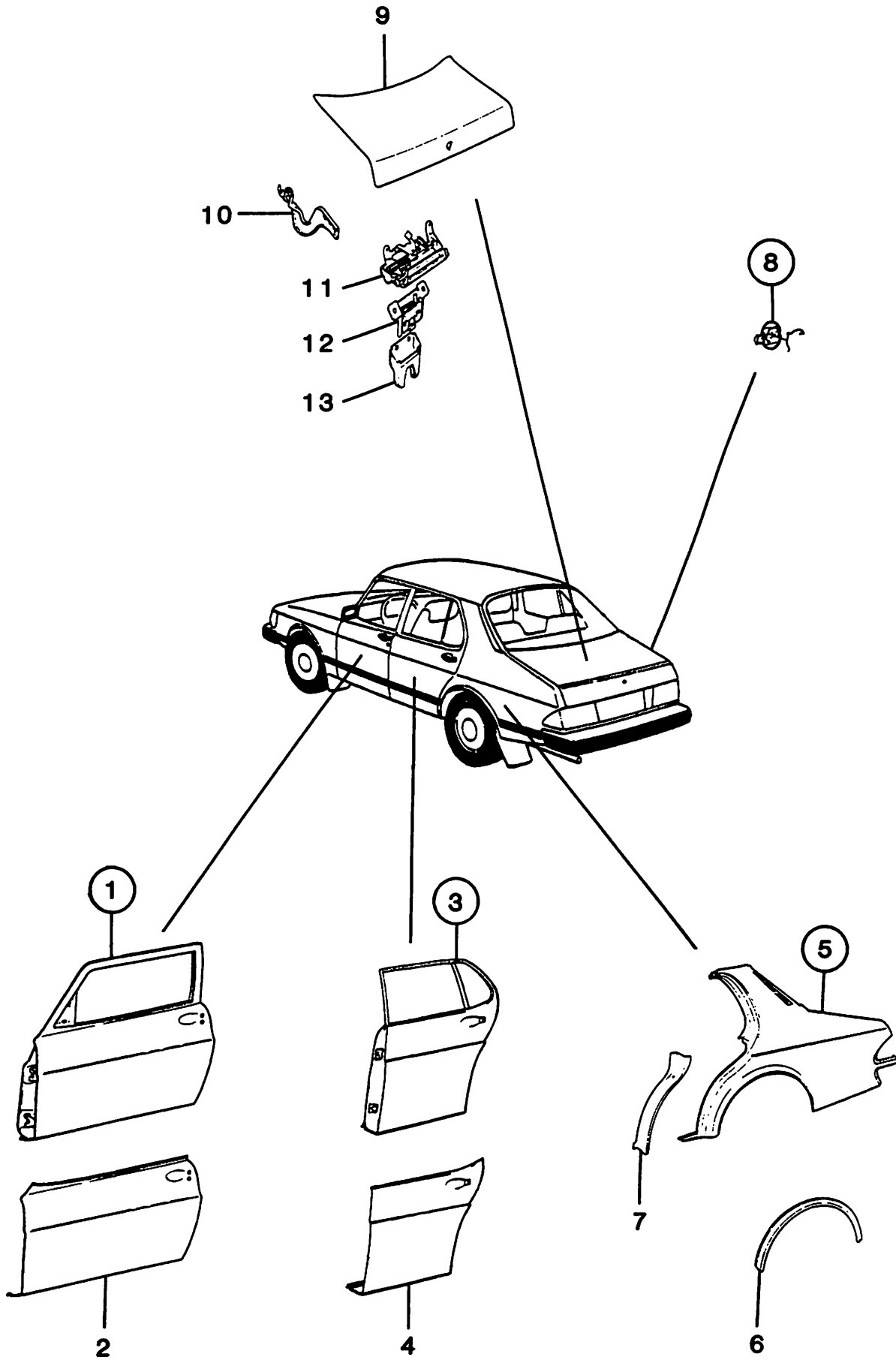
BODY				Group	Page
Hood, Upper Member, Front Fender				8	2
Pos.	Part No.	Qty.	Notes	Description	
1	69 15 482	1	Includes emblem (92 88 499)	Hood	
2	92 37 009	2 (82 59 012)	Roller	
3	82 78 558	2	-C1019319, -C2006706.	Slide Guard	
4	92 33 495	1	C1019320-, C2006707-.	Slide Guard LH	
4	92 33 487	1	C1019320-, C2006707-.	Slide Guard RH	
5	79 61 642	4	C1019320-, C2006707-.	Blind Rivet	
6	82 67 601	1	Hinge	
7	82 55 911	1	Spring LH	
7	82 55 929	1	Spring RH	
8	82 66 017	1	Hinge Bracket LH	
8	82 66 025	1	Hinge Bracket RH	
9	82 78 343	2 (82 65 324)	Rubber Stop	
10	69 26 950	1 (82 58 972)	Safety Hook	
11	82 76 743	1	-E1033199, -E2016099 For hood 92 88 499 without emblem	Locking Pin	
11	69 15 508	1	E1033200-, E2016100- For hood 69 15 482 with emblem	Locking Pin	
12	82 74 946	1	Hood Lock	
13	82 61 364	1	Guide Plate	
14	82 75 877	1	Spring	
15	82 64 681	1	-90791019038, -90792000721	Cable Assy.	
15	69 21 126	1	90791019039-, 90792000722- (82 89 191)	Cable Assy	
16	82 64 657	1	-90791019038, -90792000721	Handle Assy.	
16	82 78 509	1	90791019039-, 90792000722-	Handle Assy.	
17	82 72 791	1	Clamp	
18	82 86 528	2	Adjusting Screw	
19	69 37 254	1	Requires mounting kit 69 37 262 for 1979-84 Turbo (69 13 537)	Upper Member	
20	82 74 185	2	Rubber Buffer	
21	82 66 926	1	Wear Guard	
22	82 68 518	2	Spacer Tube	
23	82 35 178	2	Blind Rivet	
24	92 37 363	1	1979 - 85. (82 74 532)	Front Fender Assy. LH	
24	69 21 530	1	1986	Front Fender Assy. LH	
24	92 37 371	1	1979 - 85. (82 74 540)	Front Fender Assy. RH	
24	69 21 548	1	1986	Front Fender Assy. RH	
25	82 74 854	1	• Fender Part, Front LH	
25	82 74 862	1	• Fender Part, Front RH	
26	78 74 118	2	• Fender Edge	
27	92 33 503	1	C1019320-, C2006707-.	Slide Guard LH	
27	92 33 511	1	C1019320-, C2006707-.	Slide Guard RH	
28	82 67 395	2	Rubber Buffer	
29	82 11 294	4	Rubber Buffer	
30	82 87 666	4 (82 15 683)	Blind Rivet	



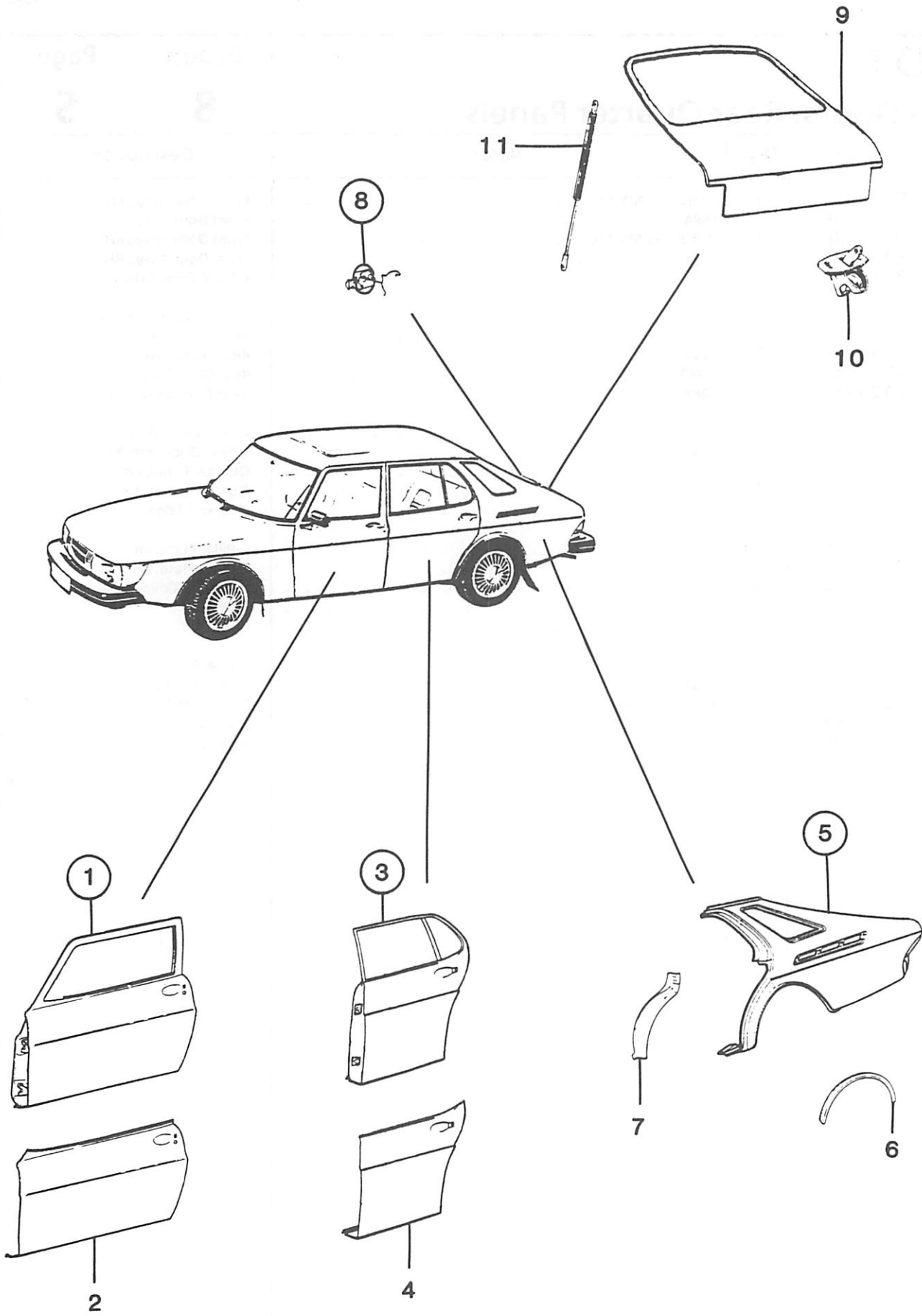
BODY				Group	Page
2SN - Doors, Rear Quarter Panels				8	3
Pos.	Part No.	Qty.	Notes	Description	
1	69 25 754	1	Door Assy., LH	
1	69 25 762	1	Door Assy., RH	
2	82 88 714	1	• Door Skin, LH	
2	82 88 722	1	• Door Skin, RH	
3	92 92 459	1	Quarter Panel, LH	
3	92 92 467	1	Quarter Panel, RH	
4	78 74 118	2	• Fender Edge	
5	76 00 828	1	B-Pillar Plate, LH	
5	76 00 836	1	B-Pillar Plate, RH	
6	82 86 304	1	Fuel Filler Cover Assy.	
7	92 33 610	1	Trunk Lid	
8	92 22 795	1	Hinge LH	
8	92 22 803	1	Hinge RH	
9	92 32 273	1	Trunk Handle	
10	92 31 267	1	Trunk Latch	
11	92 30 889	1	• Cover	



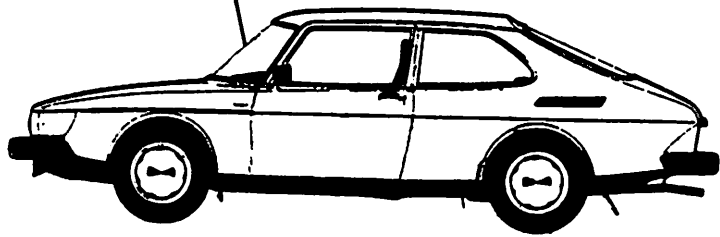
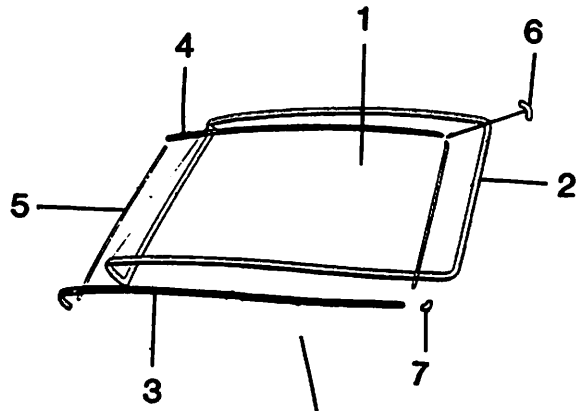
BODY				Group	Page
3 CK - Doors, Rear Quarter Panels				8	4
Pos.	Part No.	Qty.	Notes	Description	
1	82 68 096	1	1979-80 See MS 226	Door Assy., LH	
1	92 84 597	1	1981-83 See MS 215	Door Assy., LH	
1	69 25 754	1	1984-	Door Assy., LH	
1	82 49 989	1	1979-80 See MS 249	Door Assy., RH	
1	92 84 605	1	1981-83 See MS 224	Door Assy., RH	
1	69 25 762	1	1984-	Door Assy., RH	
2	82 88 714	1	• Door Skin, LH	
2	82 88 722	1	• Door Skin, RH	
3	92 29 717	1	Quarter Panel, LH	
3	92 29 725	1	Quarter Panel, RH	
4	78 74 118	2	• Fender Edge	
5	76 00 828	1	B-Pillar Plate, LH	
5	76 00 836	1	B-Pillar Plate, RH	
6	82 86 304	1	Fuel Filler Cover Assy.	
7	82 78 616	1	1979 See S.I. 01/80-403	Rear Hatch	
7	69 27 032	1	1980-	Rear Hatch	
8	84 64 505	1	1979	Rear Hatch Latch	
8	82 79 218	1	1980-	Rear Hatch Latch	
9	92 31 796	2	Gas Spring	
9	92 93 580	2	For cars with rear spoiler	Gas Spring	



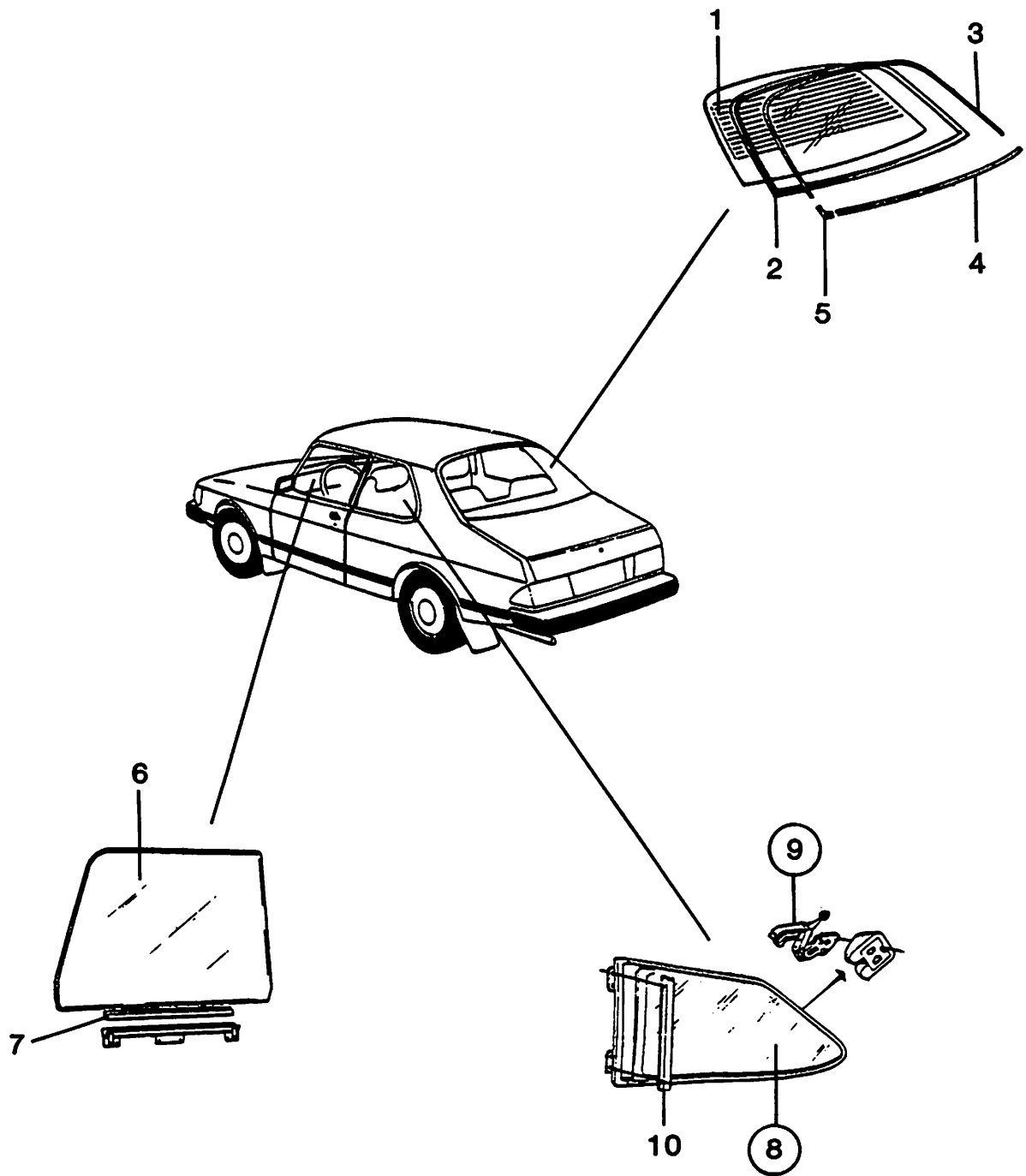
BODY				Group	Page
4SN - Doors, Rear Quarter Panels				8	5
Pos.	Part No.	Qty.	Notes	Description	
1	92 32 430	1	-1983 See MS 214	Front Door Assy., LH	
1	69 25 739	1	1984-	Front Door Assy., LH	
1	92 32 448	1	-1983 See MS 216	Front Door Assy., RH	
1	69 25 747	1	1984-	Front Door Assy., RH	
2	82 88 763	1	• Front Door Skin, LH	
2	82 88 771	1	• Front Door Skin, RH	
3	92 80 132	1	-1983	Rear Door Assy., LH	
3	69 25 853	1	1984-	Rear Door Assy., LH	
3	92 80 140	1	-1983	Rear Door Assy., RH	
3	69 25 861	1	1984-	Rear Door Assy., RH	
4	82 86 833	1	• Rear Door Skin, LH	
4	82 86 841	1	• Rear Door Skin, RH	
5	92 20 898	1	Quarter Panel, LH	
5	92 20 906	1	Quarter Panel, RH	
6	78 74 118	2	• Fender Edge	
7	76 01 370	1	C-Pillar Plate, LH	
7	76 01 388	1	C-Pillar Plate, RH	
8	82 86 304	1	Fuel Filler Cover Assy.	
9	92 33 610	1	Trunk Lid	
10	92 22 795	1	Hinge, LH	
10	92 22 803	1	Hinge, RH	
11	82 89 670	1	1981	Trunk Handle	
11	92 32 273	1	1982-	Trunk Handle	
12	92 31 267	1	Trunk Latch	
13	92 30 889	1	• Cover	



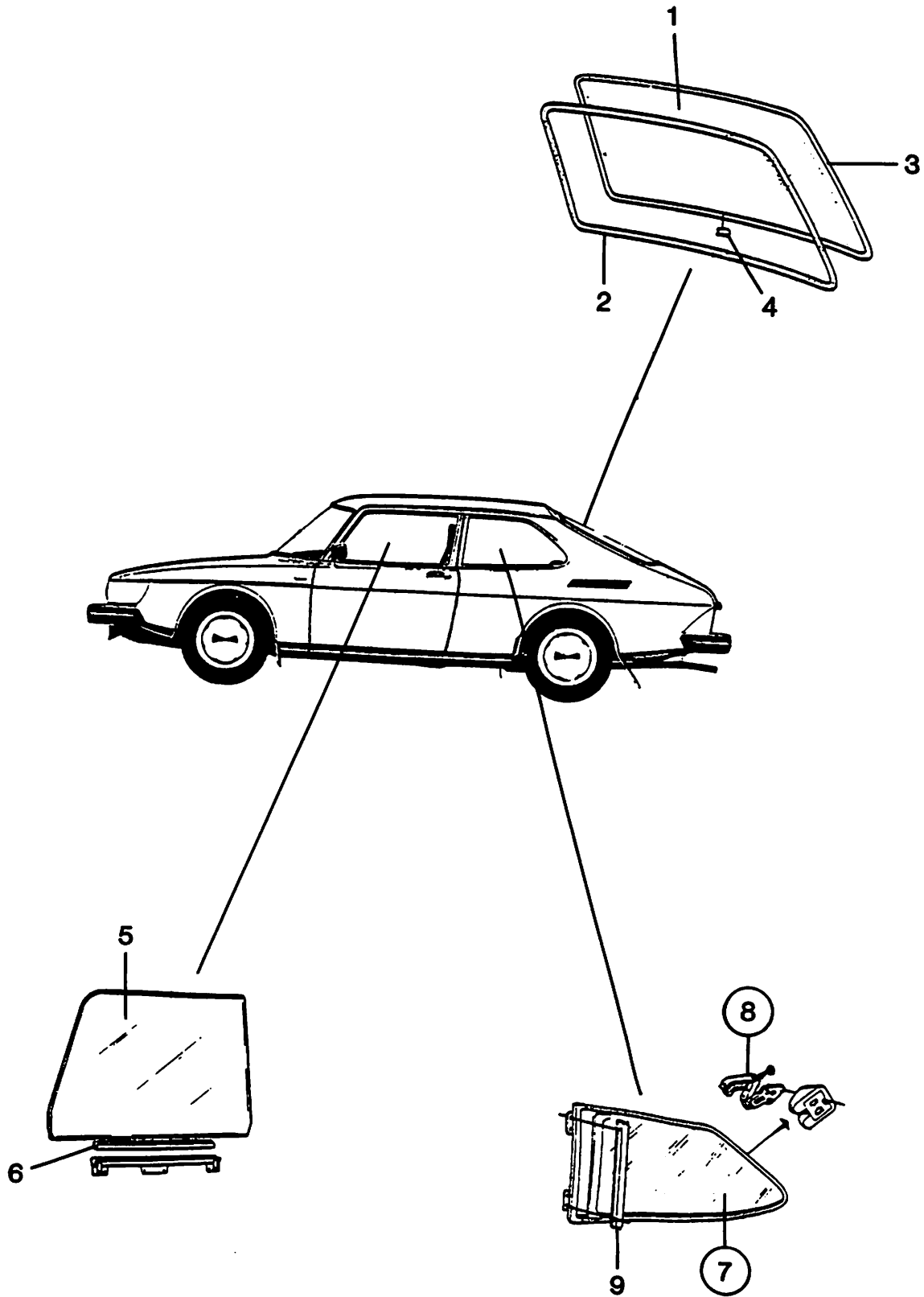
BODY				Group	Page
5 CK - Doors, Rear Quarter Panels				8	6
Pos.	Part No.	Qty.	Notes	Description	
1	82 68 138	1	See MS 246	Front Door Assy., LH	
1	82 46 720	1	See MS 283	Front Door Assy., RH	
2	82 88 763	1	• Front Door Skin, LH	
2	82 88 771	1	• Front Door Skin, RH	
3	92 80 132	1	Rear Door Assy., LH	
3	92 80 140	1	Rear Door Assy., RH	
4	82 86 833	1	• Rear Door Skin, LH	
4	82 86 841	1	• Rear Door Skin, RH	
5	92 28 214	1	Quarter Panel, LH	
5	92 28 222	1	Quarter Panel, RH	
6	78 74 118	2	• Fender Edge	
7	76 01 370	1	Rear Pillar Plate, LH	
7	76 01 388	1	Rear Pillar Plate, RH	
8	82 86 304	1	Fuel Filler Cover Assy.	
9	82 78 616	1	1979 See S.I. 01/80-403	Rear Hatch	
9	69 27 032	1	1980	Rear Hatch	
10	84 64 505	1	1979	Rear Hatch Latch	
10	82 79 218	1	1980	Rear Hatch Latch	
11	92 31 796	2	Gas Spring	
11	92 93 580	2	For cars with rear spoiler	Gas Spring	



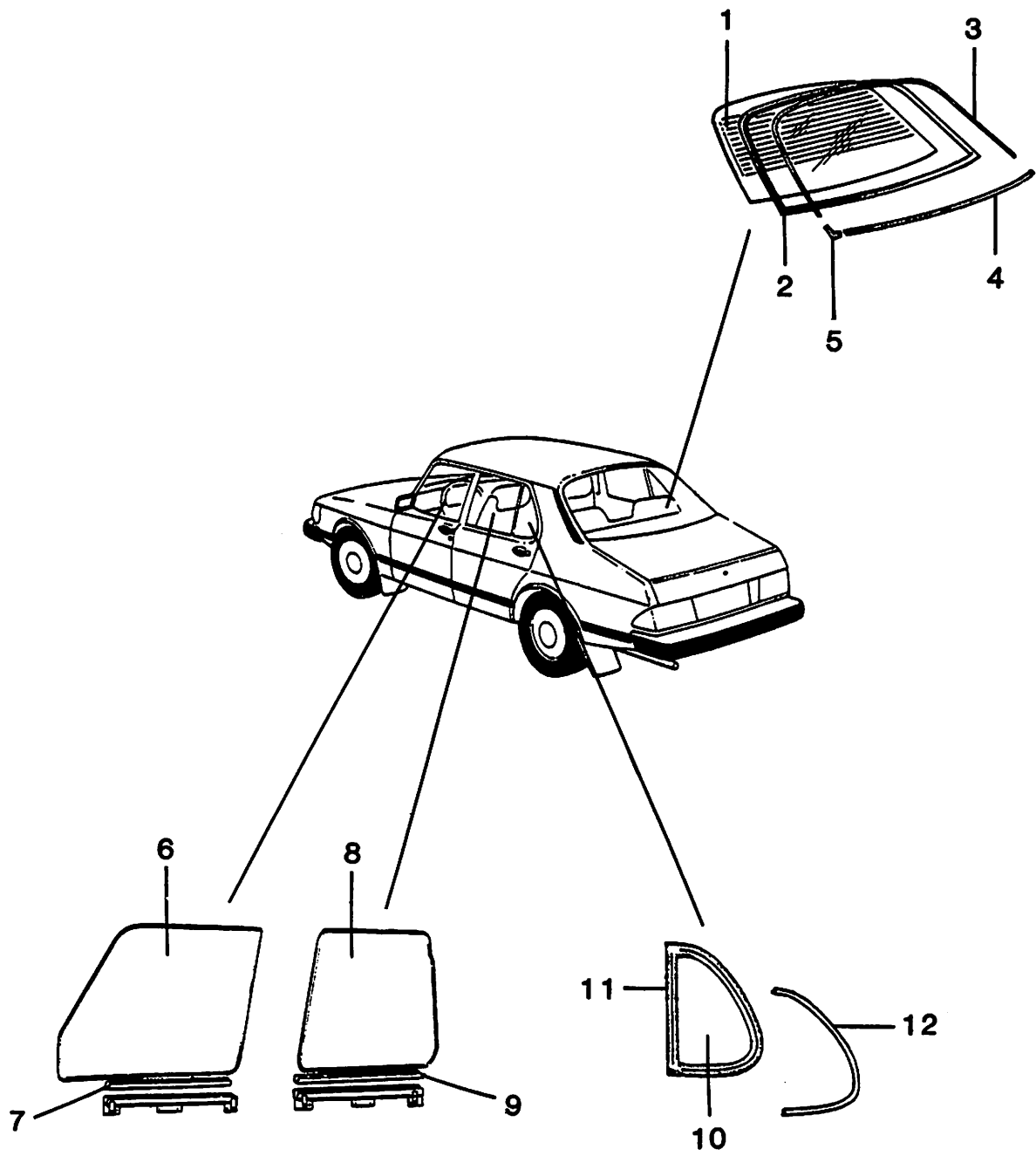
BODY				Group	Page
Glass - Windshield				8	7
Pos.	Part No.	Qty.	Notes	Description	
1	82 57 529	1	-1982	Windshield, Green	
1	92 80 439	1	1983-	Windshield, Bronze	
2	92 31 259	1	-E1018613, -E2011614.	Windshield Seal Gasket	
2	92 93 051	1	E1018614-, E2011615-.	Windshield Seal Gasket	
3	92 26 481	1 (82 67 015)	Lower Molding	
3	82 69 433	1	Turbo.	Lower Molding, Black	
4	92 26 473	1 (82 36 762)	Upper Molding	
4	82 37 265	1	Turbo.	Upper Molding, Black	
5	82 67 007	2	Side Molding	
5	82 69 425	2	Turbo.	Side Molding, Black	
6	82 36 747	2	-E1018613, -E2011614.	Joint Piece, Upper	
6	92 93 069	2	E1018614-, E2011615-.	Joint Piece, Upper	
6	82 37 299	2	-E1018613, -E2011614 Turbo	Joint Piece, Upper Black	
6	69 11 317	2	E1018614-, E2011615- Turbo	Joint Piece, Upper Black	
7	82 66 652	2	-E1018613, -E2011614.	Joint Piece, Lower	
7	92 93 085	2	E1018614-, E2011615-.	Joint Piece, Lower	
7	82 69 458	2	-E1018613, -E2011614 Turbo	Joint Piece, Lower Black	
7	69 11 325	2	E1018614-, E2011615- Turbo	Joint Piece, Lower Black	



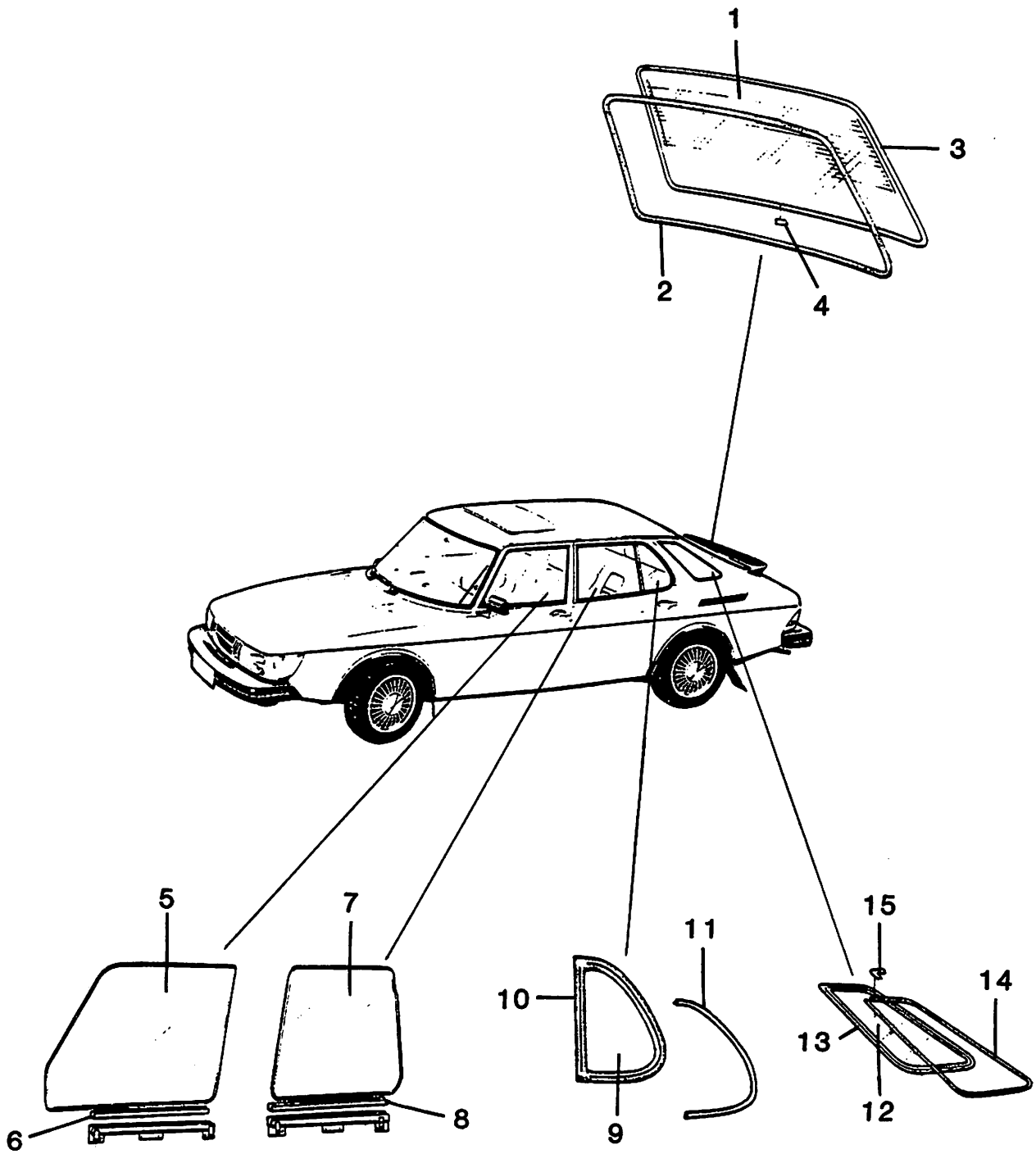
BODY				Group	Page
2 SN Glass				8	8
Pos.	Part No.	Qty.	Notes	Description	
1	92 80 496	1	.	Rear Glass, Bronze	
2	92 35 516	1	.	Rear Window Gasket	
3	92 22 944	1	.	Upper Molding	
4	92 22 928	1	.	Lower Molding	
5	92 22 902	2	.	Joint Piece	
6	92 80 355	1	.	Door Glass LH, Bronze	
6	92 80 363	1	.	Door Glass RH, Bronze	
7	92 87 111	2	.	Pad	
8	92 81 999	1	.	Glass Assy. LH, Bronze	
8	92 82 005	1	.	Glass Assy. RH, Bronze	
9	84 01 150	2	.	• Lock Assy.	
10	92 37 033	1	.	Cover Plate LH	
10	92 37 041	1	.	Cover Plate RH	



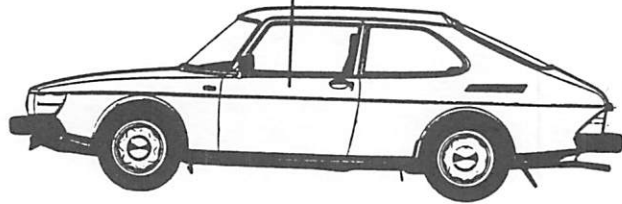
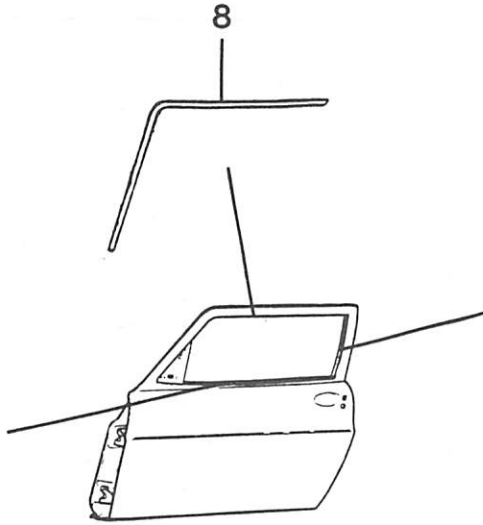
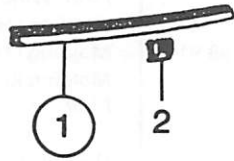
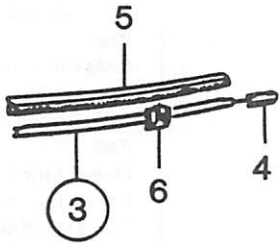
BODY				Group	Page
3 CK Glass				8	9
Pos.	Part No.	Qty.	Notes	Description	
1	82 75 257	1	-1982	Hatch Glass, Green	
1	92 80 488	1	1983-	Hatch Glass, Bronze	
2	92 31 499	1 (82 58 006)	Hatch Glass Gasket	
3	82 51 407	1	-C1007244, -C2002473.	Molding	
3	92 33 263	1	C1007245-, C2002474-.	Molding	
3	82 67 221	1	-C1007244, -C2002473 Turbo	Molding, Black	
3	92 33 271	1	C1007245-, C2002474- Turbo	Molding, Black	
4	84 01 291	1	-C1007244, -C2002473.	Joint Piece	
4	92 33 248	1	C1007245-, C2002474-.	Joint Piece	
4	82 22 663	1	-C1007244, -C2002473 Turbo	Joint Piece, Black	
4	92 33 255	1	C1007245-, C2002474- Turbo	Joint Piece, Black	
5	82 75 299	1	-1980	Door Glass LH, Green	
5	82 73 658	1	1981-82	Door Glass LH, Green	
5	92 80 355	1	1983-.	Door Glass LH, Bronze	
5	82 75 307	1	-1980	Door Glass RH, Green	
5	82 73 666	1	1981-82	Door Glass RH, Green	
5	92 80 363	1	1983-.	Door Glass RH, Bronze	
6	82 77 501	2	-1982	Pad	
6	92 87 111	2	1983-.	Pad	
7	82 53 635	1	-90801024090, -90802007152	Glass Assy. LH, Green	
7	92 21 292		90801024091-, 90802007153-, -1982	Glass Assy. LH, Green	
7	92 81 999	1	1983-.	Glass Assy. LH, Bronze	
7	82 53 643	1	-90801024090, -90802007152	Glass Assy. RH, Green	
7	92 21 300	1	90801024091-, 90802007153-, 1982	Glass Assy. RH, Green	
7	92 82 005	1	1983-.	Glass Assy. RH, Bronze	
7	82 69 631	1	-90801024090, -90802007152 Turbo	Glass Assy. LH, Green, Black Frame	
7	92 21 334	1	90801024091-, 90802007153-, -1982 Turbo	Glass Assy. LH, Green, Black Frame	
7	92 82 054	1	1983- Turbo	Glass Assy. LH, Bronze, Black Frame	
7	82 69 649	1	-90801024090, -90802007152 Turbo	Glass Assy. RH, Green, Black Frame	
7	92 21 342	1	90801024091-, 90802007153-, -1982 Turbo	Glass Assy. RH, Green, Black Frame	
7	92 82 062	1	1983- Turbo	Glass Assy. RH, Bronze, Black Frame	
8	84 01 150	2	• Lock Assy.	
9	76 16 675	2	-1981	Cover Plate	
9	92 37 033	1	1982-.	Cover Plate LH	
9	92 37 041	1	1982-.	Cover Plate RH	



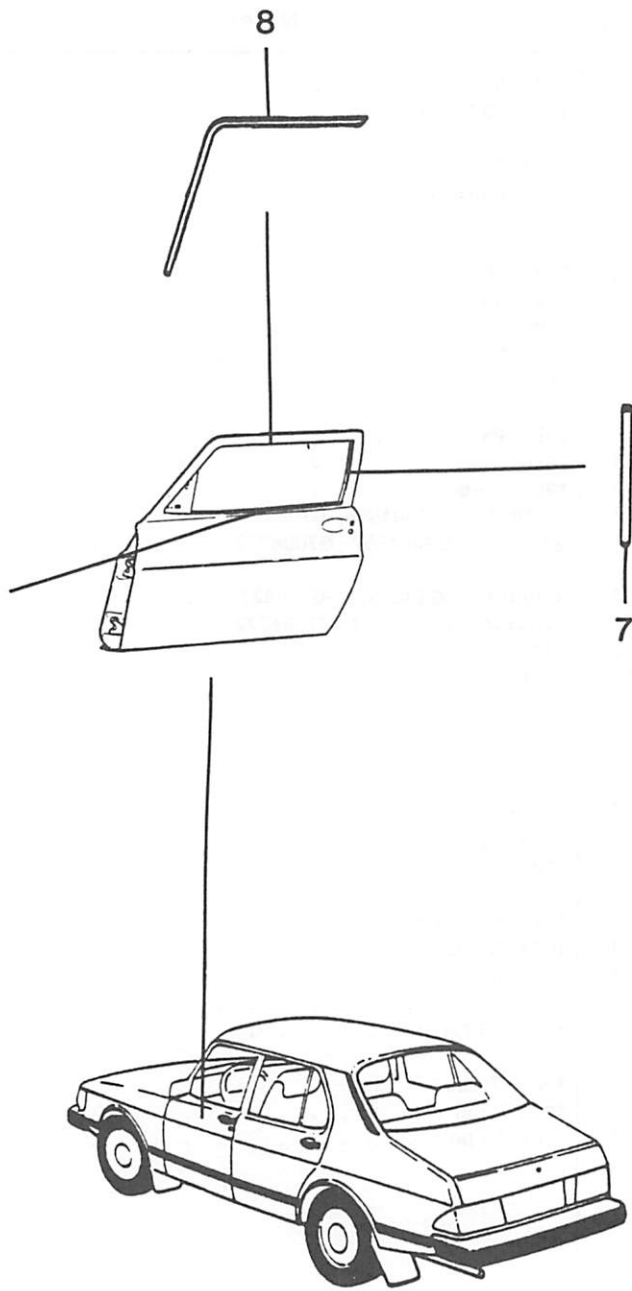
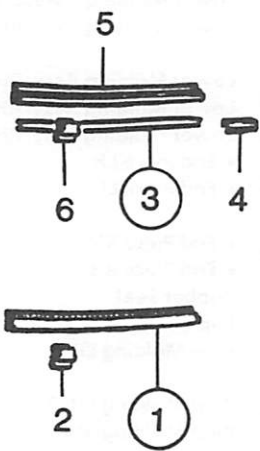
BODY				Group	Page
4 SN Glass				8	10
Pos.	Part No.	Qty.	Notes	Description	
1	92 22 969	1	-1982	Rear Glass, Green	
1	92 80 496	1	1983-	Rear Glass, Bronze	
2	92 35 516	1	Rear Window Gasket	
3	92 22 944	1	Upper Molding	
3	92 22 951	1	-1985 Turbo	Upper Molding, Black	
4	92 22 928	1	Lower Molding	
4	92 22 936	1	-1985 Turbo	Lower Molding, Black	
5	92 22 902	2	Joint Piece	
5	92 22 910	2	-1985 Turbo	Joint Piece, Black	
6	92 35 110	1	-1982	Front Door Glass LH, Green	
6	92 80 371	1	1983-	Front Door Glass LH, Bronze	
6	92 35 128	1	-1982	Front Door Glass RH, Green	
6	92 80 389	1	1983-	Front Door Glass RH, Bronze	
7	82 77 501	2	-1982	Pad	
7	92 87 111	2	1983-	Pad	
8	82 75 372	1	-1982	Rear Door Glass LH, Green	
8	92 80 397	1	1983-	Rear Door Glass LH, Bronze	
8	82 75 380	1	-1982	Rear Door Glass RH, Green	
8	92 80 405	1	1983-	Rear Door Glass RH, Bronze	
9	82 75 422	2	-1982	Pad	
9	92 87 111	2	1983-	Pad	
10	82 61 653	1	-1982	Fixed Glass LH, Green	
10	92 80 413	1	1983-	Fixed Glass LH, Bronze	
10	82 61 661	1	-1982	Fixed Glass RH, Green	
10	92 80 421	1	1983-	Fixed Glass RH, Bronze	
11	82 49 955	1	Seal LH	
11	82 49 963	1	Seal RH	
12	82 59 855	1	Molding LH	
12	92 39 351	1	-1985 Turbo (82 68 914)	Molding LH, Black	
12	82 59 863	1	Molding RH	
12	82 68 922	1	-1985 Turbo	Molding RH, Black	



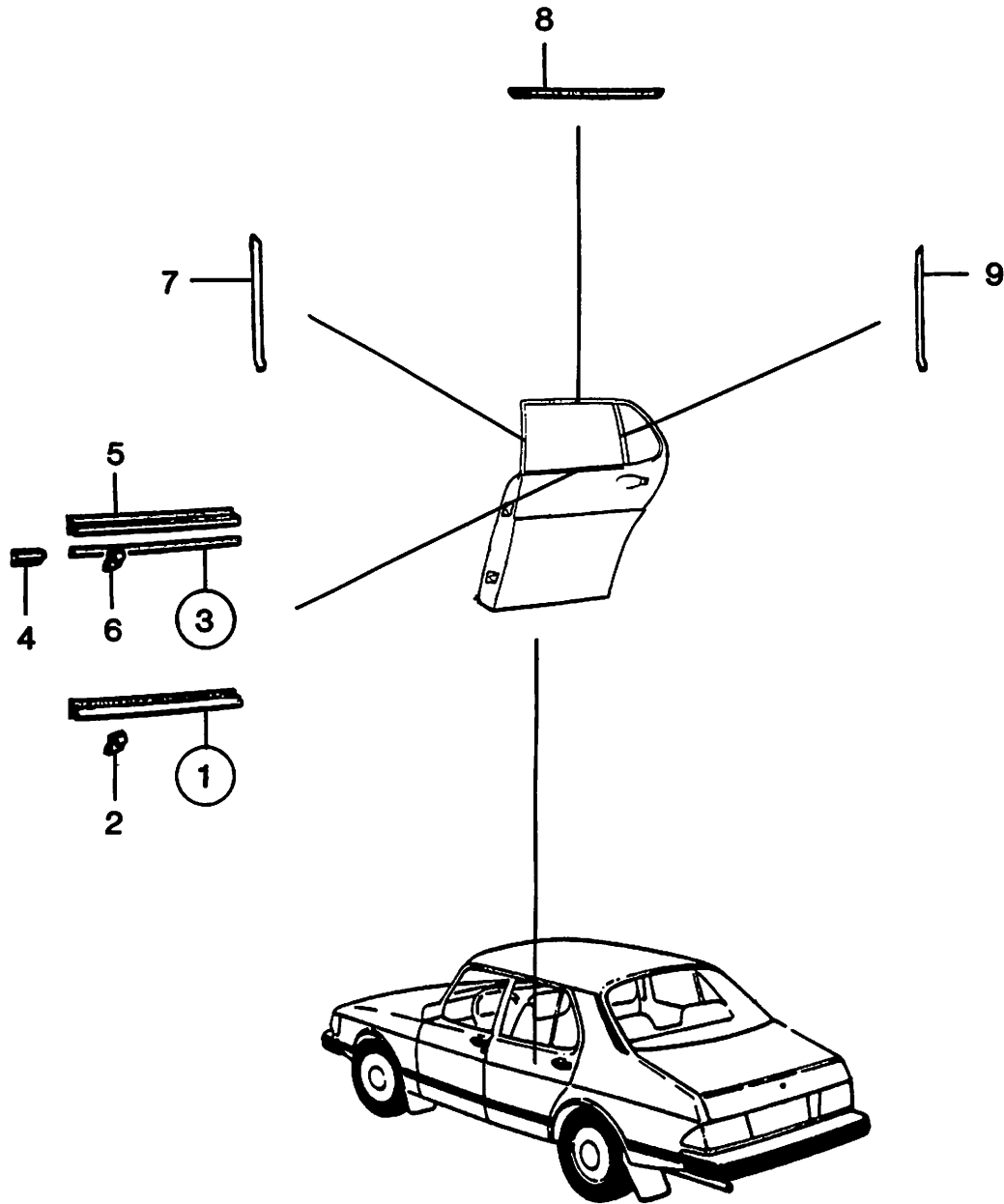
BODY				Group	Page
5 CK - Glass				8	11
Pos.	Part No.	Qty.	Notes	Description	
1	82 75 257	1	Hatch Glass, Green	
2	92 31 499	1 (82 58 006)	Hatch Glass Gasket	
3	82 51 407	1	Molding	
3	82 67 221	1	Turbo.	Molding, Black	
4	84 01 291	1	Joint Piece	
4	82 22 663	1	Turbo.	Joint Piece, Black	
5	82 75 331	1	Frnt. Door Glass LH, Green	
5	82 75 349	1	Frnt. Door Glass RH, Green	
6	82 77 501	2	Pad	
7	82 75 372	1	Rear Door Glass LH, Green	
7	82 75 380	1	Rear Door Glass RH, Green	
8	82 75 422	2	Pad	
9	82 61 653	1	Fixed Door Glass LH, Green	
9	82 61 661	1	Fixed Door Glass RH, Green	
10	82 49 955	1	Fixed Window Gasket LH	
10	82 49 963	1	Fixed Window Gasket RH	
11	82 59 855	1	Molding LH	
11	92 39 351	1	Turbo. (82 68 914)	Molding LH, Black	
11	82 59 863	1	Molding RH	
11	82 68 922	1	Turbo.	Molding RH, Black	
12	82 60 390	1	Quarter Glass LH, Green	
12	82 60 408	1	Quarter Glass RH, Green	
13	82 60 150	1	Quarter Window Gasket LH	
13	82 60 168	1	Quarter Window Gasket RH	
14	92 23 439	2	Quarter Window Molding	
14	82 67 890	2	Turbo	Quarter Window Molding, Black	
15	92 23 447	2 (82 60 457)	Joint Piece	
15	82 72 643	2	Turbo	Joint Piece, Black	



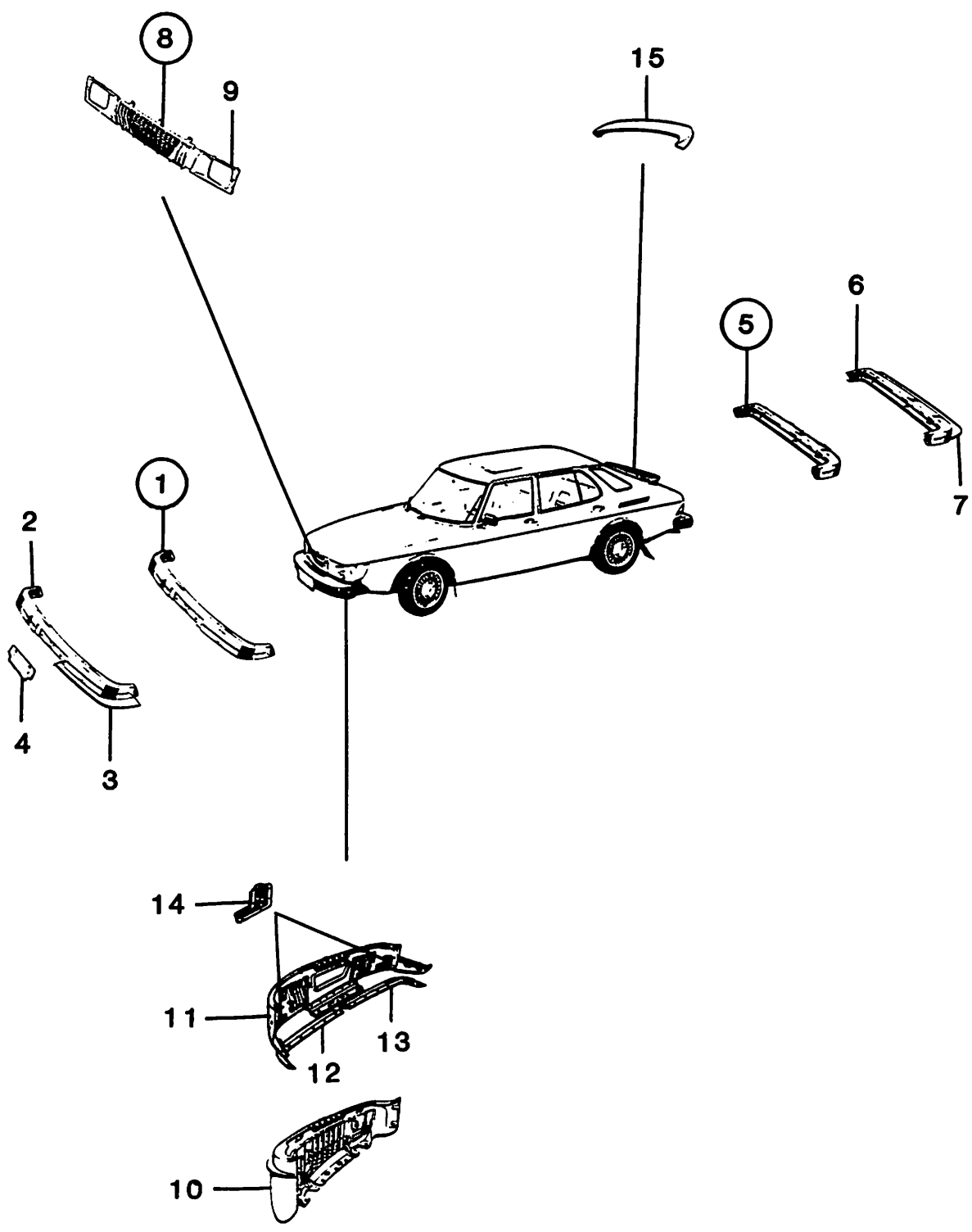
BODY				Group	Page
Door Glass Moldings - 3 CK and 2 SN				8	12
Pos.	Part No.	Qty.	Notes	Description	
1	82 64 236	1	1979 - 80.	Lower Molding and Seal Assy. LH	
1	82 64 244	1	1979 - 80 Turbo.	Lower Molding and Seal Assy. LH Black	
1	82 68 690	1	1979 - 80.	Lower Molding and Seal Assy. RH	
1	82 68 708	1	1979 - 80 Turbo.	Lower Molding and Seal Assy. RH Black	
2	82 67 270	18	1979 - 80.	Clip	
3	92 38 411	1	1981 - 85.	Lower Molding Assy. LH	
3	69 26 711	1	1986-.	Lower Molding Assy. LH	
3	69 26 737	1	1981- Turbo.	Lower Molding Assy. LH, Black	
3	69 26 729	1	1981.	Lower Molding Assy. RH	
3	92 38 429	1	1982 - 85.	Lower Molding Assy. RH	
3	69 26 729	1	1986.	Lower Molding Assy. RH	
3	69 26 745	1	1981 - Turbo.	Lower Molding Assy. RH, Black	
4	92 37 975	1	-G2001444, -G3001556, -G7004271.	• End Piece LH	
4	69 26 497	1	G2001445-, G3001557-, G7004272-.	• End Piece LH	
4	92 37 983	1	-G2001444, -G3001556, -G7004271.	• End Piece RH	
4	69 26 505	1	G2001445-, G3001557-, G7004272-.	• End Piece RH	
5	92 37 678	2	1981-.	Rubber Seal	
6	82 78 947	14	1981-.	Clip	
7	92 84 191	1	Rear Molding LH	
7	92 39 336	1	Turbo.	Rear Molding LH, Black	
7	92 84 209	1	Rear Molding RH	
7	92 39 344	1	Turbo.	Rear Molding RH, Black	
8	82 66 678	1	1979 - 80.	Front Molding LH	
8	92 84 175	1	1981-.	Front Molding LH	
8	82 68 757	1	1979 - 80 Turbo.	Front Molding LH, Black	
8	92 39 153	1	1981 - Turbo.	Front Molding LH, Black	
8	82 66 686	1	1979 - 80.	Front Molding RH	
8	92 84 183	1	1981-.	Front Molding RH	
8	82 68 765	1	1979 - 80 Turbo.	Front Molding RH, Black	
8	92 39 161	1	1981- Turbo.	Front Molding RH, Black	
9	92 31 176	1	1982-Turbo.	Decor LH, Black	
9	92 31 184	1	1982- Turbo.	Decor RH, Black	



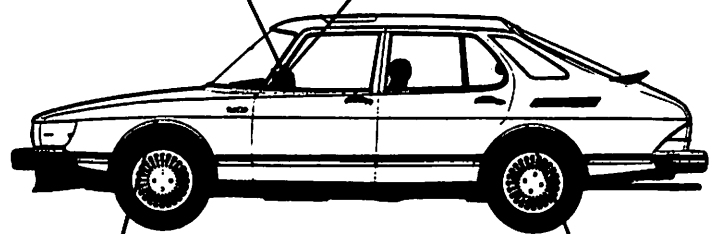
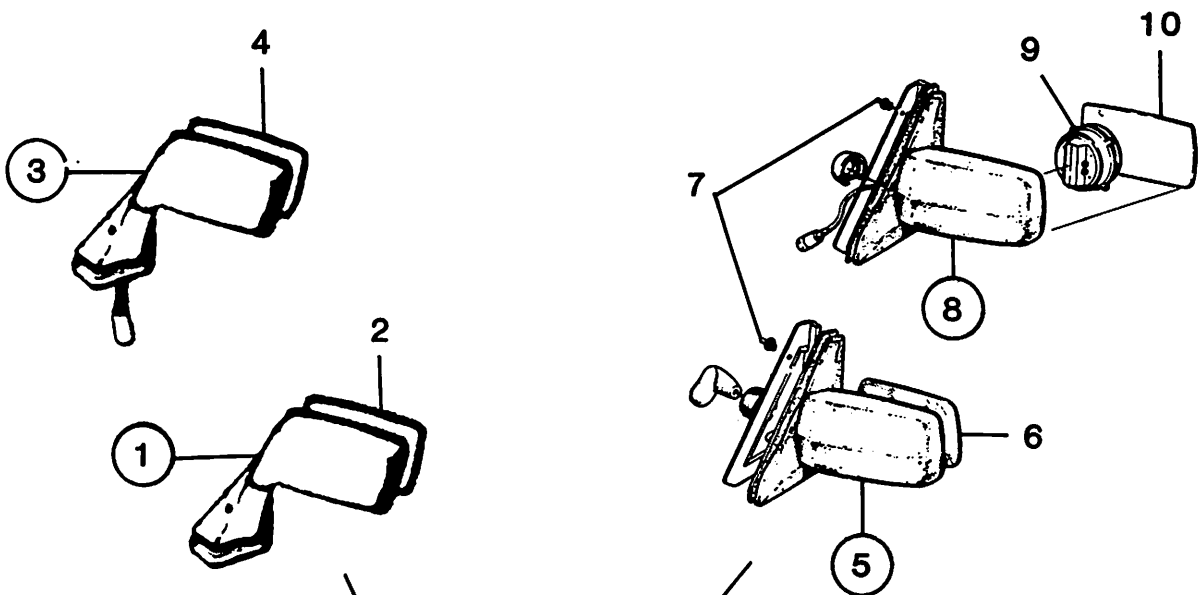
BODY				Group	Page
Front Door Glass Moldings - 5 CK and 4 SN				8	13
Pos.	Part No.	Qty.	Notes	Description	
1	82 59 236	1	1979 - 80.	Lower Molding and Seal Assy. LH	
1	82 68 930	1	1979 - 80 Turbo.	Lower Molding and Seal Assy. LH Black	
1	82 59 244	1	1979 - 80.	Lower Molding and Seal Assy. RH	
1	82 68 948	1	1979 - 80 Turbo.	Lower Molding and Seal Assy. RH Black	
2	82 67 270	14	1979 - 80.	Clip	
3	92 38 254	1	1981 - 85.	Lower Molding Assy. LH	
3	69 26 679	1	1986	Lower Molding Assy. LH	
3	92 25 715	1	1981 Turbo	Lower Molding Assy. LH, Black	
3	69 26 695	1	1982 - 85 Turbo.	Lower Molding Assy. LH, Black	
3	92 38 262	1	1981 - 85.	Lower Molding Assy. RH	
3	69 26 687	1	1986	Lower Molding Assy. RH	
3	69 26 703	1	1981 Turbo	Lower Molding Assy. RH, Black	
3	92 38 288	1	1982 - 85 Turbo.	Lower Molding Assy. RH, Black	
4	92 37 827	1	-G2001444, -G3001556, -G7004271.	• End Piece LH	
4	69 26 471	1	G2001445-, G3001557-, G7004272-.	• End Piece LH	
4	92 37 835	1	-G2001444, -G3001556, -G7004271.	• End Piece RH	
4	69 26 489	1	G2001445-, G3001557-, G7004272-.	• End Piece RH	
5	92 37 686	2	1981-.	Rubber Seal	
6	82 78 947	10	1981-.	Clip	
7	92 84 092	1	Rear Molding LH	
7	92 39 294	1	1979 - 85 Turbo.	Rear Molding, LH, Black	
7	92 84 100	1	Rear Molding RH	
7	92 39 302	1	1979 - 85 Turbo.	Rear Molding RH, Black	
8	82 59 178	1	1979 - 80.	Front Molding LH	
8	92 84 217	1	1981-.	Front Molding LH	
8	82 69 011	1	1979 - 80 Turbo.	Front Molding LH, Black	
8	92 39 310	1	1981 - 85 Turbo.	Front Molding LH, Black	
8	82 59 186	1	1979-80	Front Molding RH	
8	92 84 225	1	1981-.	Front Molding RH	
8	82 69 029	1	1979 - 80 Turbo.	Front Molding RH, Black	
8	92 39 328	1	1981 - 85 Turbo.	Front Molding RH, Black	



BODY				Group	Page
Rear Door Glass Moldings - 5 CK and 4 SN				8	14
Pos.	Part No.	Qty.	Notes	Description	
1	82 59 376	1	1979 - 80	Lower Molding and Seal Assy. LH	
1	82 68 773	1	1979 - 80 Turbo	Lower Molding and Seal Assy. LH Black	
1	82 59 384	1	1979 - 80	Lower Molding and Seal Assy. RH	
1	82 68 781	1	1979 - 80 Turbo	Lower Molding and Seal Assy. RH Black	
2	82 67 270	12	Clip	
3	92 38 338	1	1981 - 85	Lower Molding Assy. LH	
3	69 26 638	1	1986	Lower Molding Assy. LH	
3	69 26 653	1	1981 - 85 Turbo	Lower Molding Assy. LH, Black	
3	92 38 346	1	1981 - 85	Lower Molding Assy. RH	
3	69 26 646	1	1986	Lower Molding Assy. RH	
3	92 38 361	1	1981 - 85 Turbo	Lower Molding Assy. RH, Black	
4	92 38 171	1	-G2001444, -G3001556, -G7004271	• End Piece LH	
4	69 26 455	1	G2001445-, G3001557-, G7004272-.	• End Piece LH	
4	92 38 189	1	-G2001444, -G3001556, -G7004271	• End Piece RH	
4	69 26 463	1	G2001445-, G3001557-, G7004272-.	• End Piece RH	
5	92 37 694	2	1981-.	Rubber Seal	
6	82 78 947	8	1981-.	Clip	
7	69 11 671	1	Front Molding LH	
7	69 11 697	1	1979 - 85 Turbo	Front Molding LH, Black	
7	69 11 689	1	Front Molding RH	
7	69 11 705	1	1979 - 85 Turbo	Front Molding RH, Black	
8	92 84 118	1	Upper Molding LH	
8	92 39 518	1	1979 - 85 Turbo	Upper Molding LH, Black	
8	92 84 126	1	Upper Molding RH	
8	92 39 526	1	1979 - 85 Turbo	Upper Molding RH, Black	
9	92 84 159	1	Rear Molding LH	
9	92 39 716	1	1979 - 85 Turbo	Rear Molding LH, Black	
9	92 84 167	1	Rear Molding RH	
9	92 39 724	1	1979 - 85 Turbo	Rear Molding RH, Black	



BODY				Group	Page
Bumpers, Grills and Spoilers				8	15
Pos.	Part No.	Qty.	Notes	Description	
1	92 84 761	1	Without Decor Strip	Front Bumper Assy.	
2	92 37 165	1	Wide Decor Indentation	• Front Bumper Cover	
3	82 58 410	2	-C1031121, -C2011399 Original Style	Decor Strip, Narrow	
3	92 83 946	2	-1982, For use with 92 84 761 or 92 37 165.	Decor Strip, Wide	
3	92 83 441	2	1983-	Decor Strip, Wide	
3	82 83 863	2	1983- Alternative to 92 83 441	Decor Strip Kit, Wide	
4	69 21 142	1	License Plate Bracket	
5	92 84 753	1	Without Decor Strip	Rear Bumper Assy.	
6	92 37 173	1	Wide Decor Indentation	• Rear Bumper Cover	
7	82 58 220	1	-C1031121, -C2011399 Original Style	Decor Strip, Narrow	
7	92 83 953	1	-1982 For use with 92 84 753 or 92 37 173.	Decor Strip, Wide	
7	92 82 773	1	1983-	Decor Strip, Wide	
7	82 83 871	1	1983- Alternative to 92 82 773	Decor Strip Kit, Wide	
8	82 56 919	1	1979 GLi.	Grill Assy.	
8	82 69 656	1	1979 GLE.	Grill Assy.	
8	92 26 440	1	1979 Turbo, 1980 - 83 All.	Grill Assy.	
8	92 89 612	1	1984-	Grill Assy.	
8	92 91 592	1	1984-	Grill Assy., Chromed	
9	82 57 495	1	1979 - 82.	Headlight Bezel LH	
9	85 93 253	1	1983- with Light	Headlight Bezel LH	
9	82 57 503	1	1979 - 82.	Headlight Bezel RH	
9	85 93 261	1	1983- with Light	Headlight Bezel RH	
10	82 55 267	1	1979 - 80 All; 1981 - 9005; 1981 - 84 Turbo SN.	Front Spoiler	
11	92 26 887	1	Turbo 3CK 1981 - 82 See MS 188	Front Spoiler	
11	92 88 804	1	1983-, -E1030793, -E2014800, -E3012572, -E7013249, Turbo 3 CK	Front Spoiler, Black	
11	92 88 796	1	1983 Turbo 3 CK	Front Spoiler, Silver	
11	69 14 469	1	E1030794-, E2014801-, E3012573-, E7013250-, -1984, Turbo 3 CK	Front Spoiler, Grey	
11	69 11 044	1	1985- Turbo.	Front Spoiler, Grey	
12	92 88 572	1	1981 - 82 Turbo 3 CK	Lower Spoiler LH	
12	92 88 754	1	1983-, -E1030793, -E2014800, -E3012572, -E7013249, Turbo 3 CK	Lower Spoiler LH, Black	
12	92 88 770	1	1983 Turbo 3 CK	Lower Spoiler LH, Silver	
12	69 11 051	1	E1030794-, E2014801-, E3012573-, E7013250- Turbo 3 CK, 1985 Turbo SN	Lower Spoiler LH, Grey	
13	92 88 580	1	1981 - 82 Turbo 3 CK	Lower Spoiler RH	
13	92 88 762	1	1983-, -E1030793, -E2014800, -E3012572, -E7013249 Turbo 3 CK	Lower Spoiler RH, Black	
13	92 88 788	1	1983 Turbo 3CK	Lower Spoiler RH, Silver	
13	69 11 069	1	E1030794-, E2014801-, E3012573-, E7013250- Turbo 3 CK, 1985 Turbo SN	Lower Spoiler RH, Grey	
14	92 91 121	1	1985- Turbo.	Frame LH	
14	92 91 139	1	1985- Turbo.	Frame RH	
15	78 73 789	1	Turbo CK.	Rear Spoiler Kit	



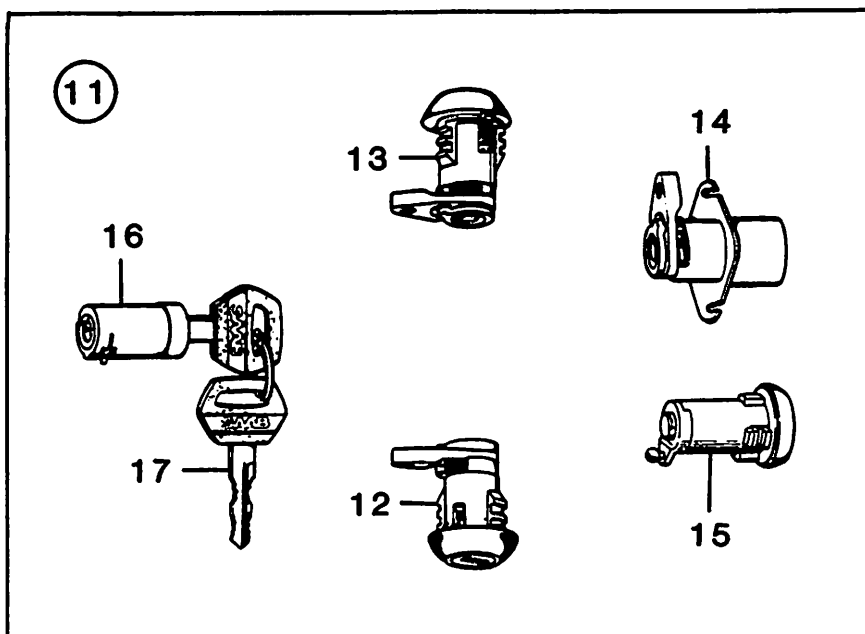
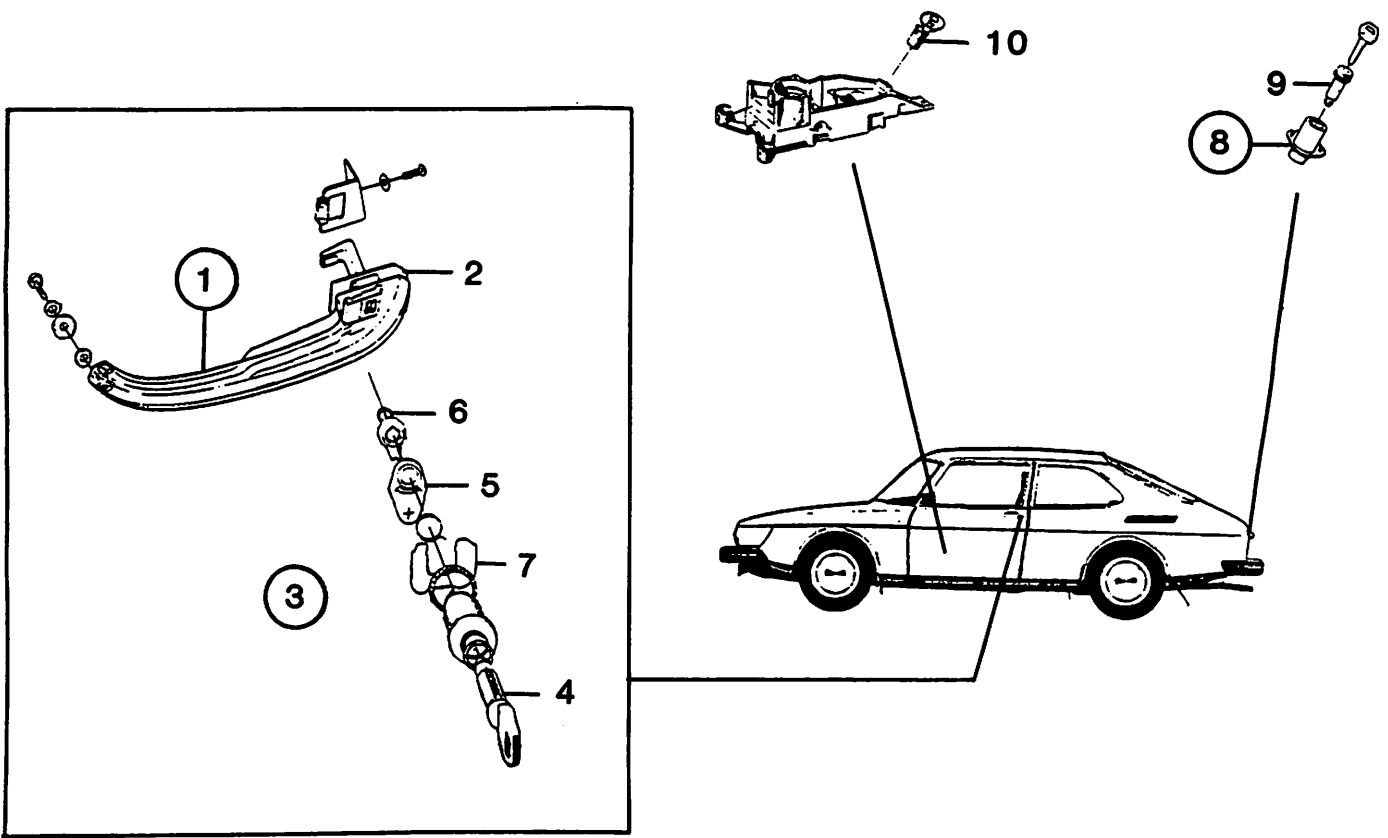
BODY

Mirrors and Fender Edge Moldings

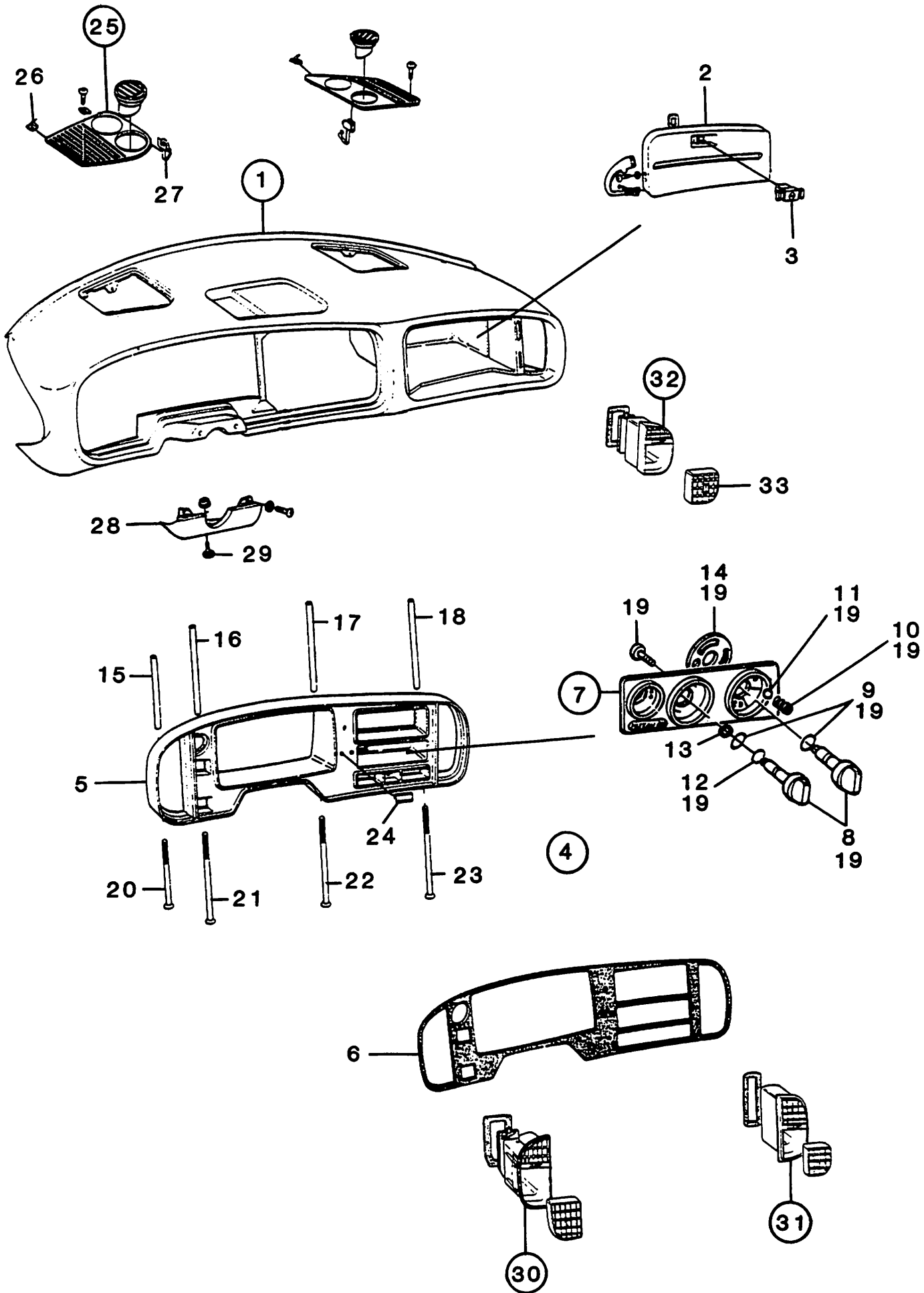
Group
8

Page
16

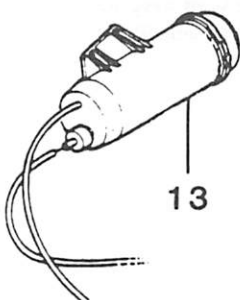
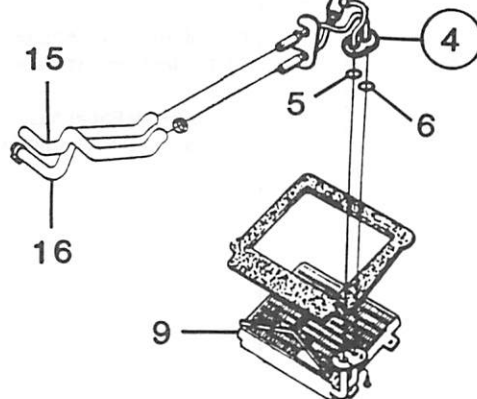
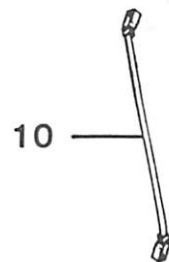
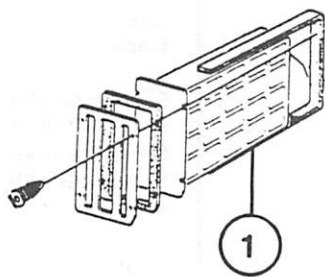
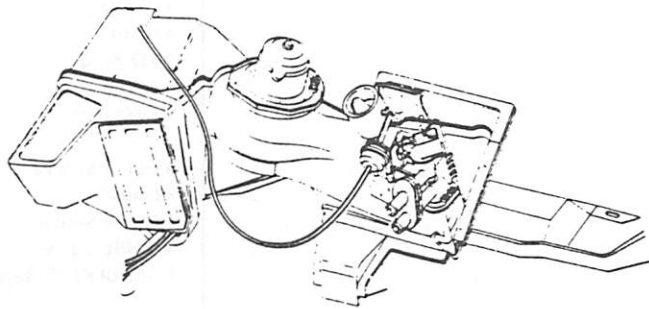
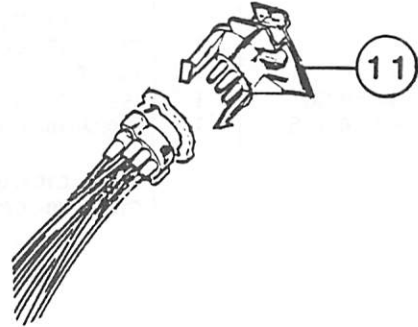
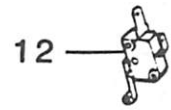
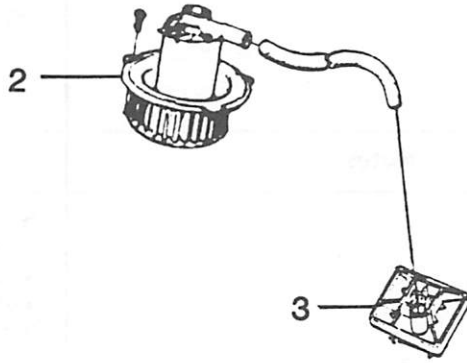
Pos.	Part No.	Qty.	Notes	Description
1	84 86 441	1	1979	Mirror Assy. LH
1	84 87 191	1	1980	Mirror Assy. LH
1	84 86 458	1	1979	Mirror Assy. RH
1	84 87 209	1	1980	Mirror Assy. RH
2	94 00 300	2	1979-80	• Glass, Flat
3	84 83 778	1	1979	Power Mirror Assy. LH
3	94 61 930	1	1980	Power Mirror Assy. LH
3	84 83 786	1	1979	Power Mirror Assy. RH
3	94 61 948	1	1980	Power Mirror Assy. RH
4	84 83 729	2	1979-80	• Glass, Flat
5	94 65 337	1	1981-83	Mirror Assy. LH
5	98 33 161	1	1984-	Mirror Assy. LH
5	94 94 964	1	1981-83	Mirror Assy. RH
5	98 33 179	1	1984-	Mirror Assy. RH
6	94 73 067	1	1981-83	• Glass LH, Flat
6	98 33 344	1	1984-	• Glass LH, Flat
6	97 00 006	1	1981-83	• Glass RH, Convex
6	98 33 385	1	1984-	• Glass RH, Convex
7	94 68 893	2	1981-	Clip
8	94 65 535	1	1981-, -C1020526, -C6001561.	Power Mirror Assy. LH
8	97 24 147	1	C1020527-, C6001562-, -1983	Power Mirror Assy. LH, Bronze
8	98 33 187	1	1984-	Power Mirror Assy. LH
8	94 94 972	1	1981-, C1020526, -C6001561.	Power Mirror Assy. RH
8	97 24 204	1	C1020527-, C6001562-, -1983	Power Mirror Assy. RH, Bronze
8	98 33 195	1	1984-	Power Mirror Assy. RH
9	94 72 572	2	1981-	• Electric Motor
10	94 73 083	1	1981-, C1020526, -C6001561.	• Glass LH, Flat
10	97 24 337	1	C1020527-, C6001562-, -1983	• Glass LH, Flat, Bronze
10	98 33 518	1	1984-	• Glass LH, Flat
10	97 00 014	1	1981-, -C1020526, -C6001561.	• Glass RH, Convex
10	97 24 345	1	C1020527-, C6001562-, -1983	• Glass RH, Convex, Bronze
10	98 33 534	1	1984-	• Glass RH, Convex
11	82 74 151	2	Silver	Front Fender Edge Molding
11	92 57 262	2	Black Trim to Suitable Length	Front Fender Edge Molding
12	82 76 925	2	Silver	Rear Fender Edge Molding
12	82 76 917	2	Black 1979 GLE, 1979-80 EMS, Turbo	Rear Fender Edge Molding
12	92 57 262	2	Black Trim to Suitable Length	Rear Fender Edge Molding



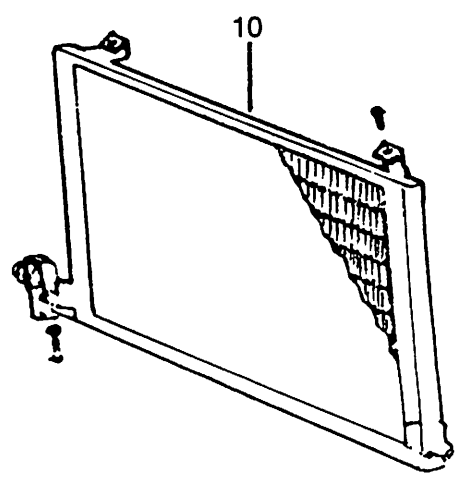
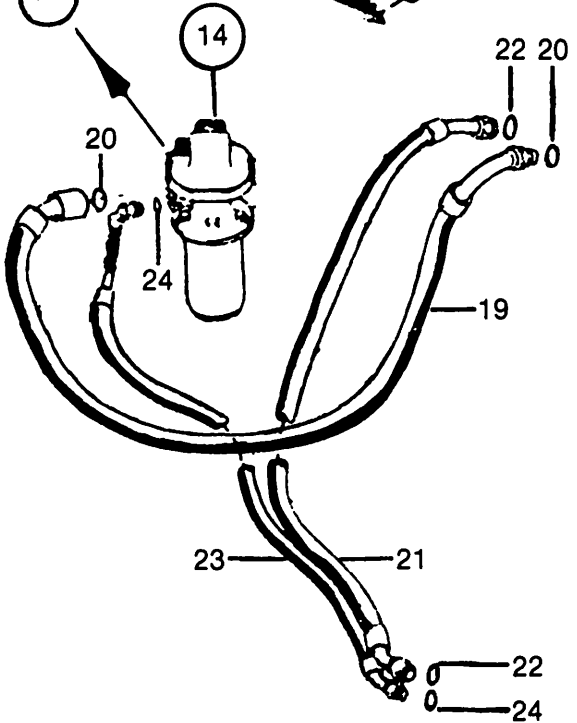
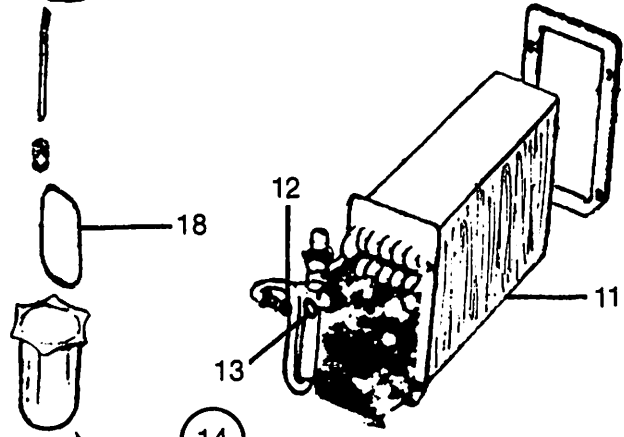
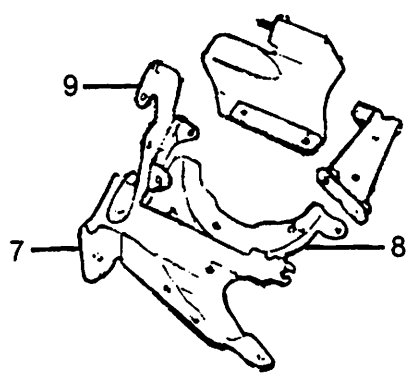
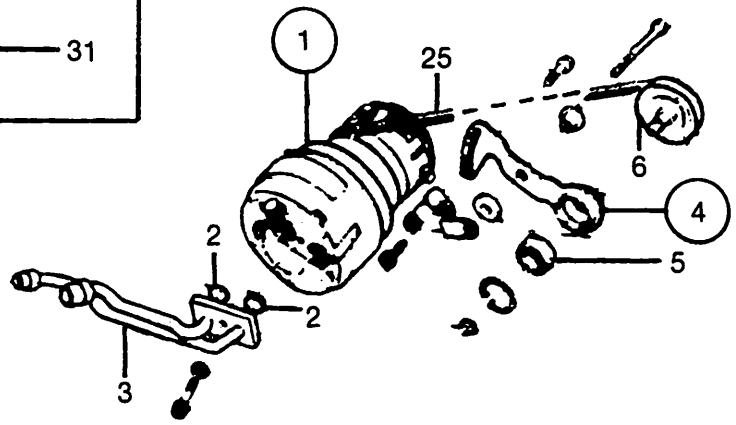
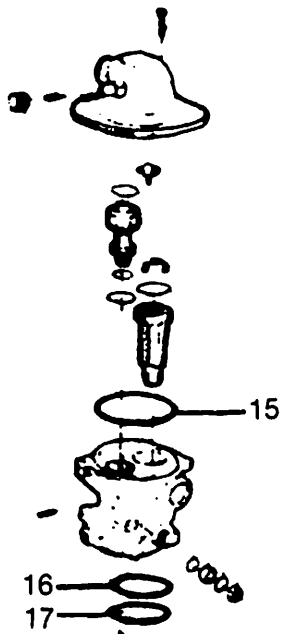
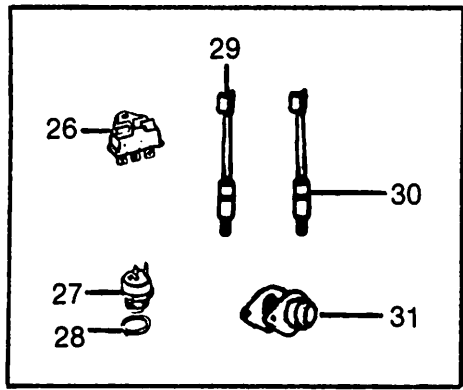
BODY				Group	Page
Locks				8	17
Pos.	Part No.	Qty.	Notes	Description	
1	82 49 161	2	Also Rear Door 5CK, 45N	Door Handle Assy.	
1	92 27 935	2	1981- Turbo 3CK, Also Rear Door 1981-85 Turbo 45N	Door Handle Assy. , Black Pad	
2	82 37 323	2	Also Rear Door 5CK, 45N	Door Lock Assy. LH	
3	84 70 353	1	1979-80 With Two Keys	Door Lock Assy. LH	
3	84 87 597	1	1981- With Two Keys	Door Lock Assy. RH	
3	84 70 361	1	1979-80 With Two Keys	Door Lock Assy. RH	
3	84 87 605	1	1981- With Two Keys	Door Lock Assy. RH	
4	84 86 409	2	With Two Keys	• Lock Cyl.	
5	84 51 965	2	• Plastic Link	
6	84 51 981	2	• Clip Ring	
7	84 53 227	2	Retaining Clip	
8	84 70 429	1	1979 CK With Two Keys	Trunk Lock Assy.	
8	82 83 772	1	1980- CK With Two Keys	Trunk Lock Assy.	
8	82 83 806	1	1981-85 SN With Two Keys	Trunk Lock Assy.	
8	82 83 848	1	1982- SN For Central Lock, With Two Keys.	Trunk Lock Assy.	
9	84 86 409	1	1979 CK With Two Keys	• Lock Cyl. Assy.	
9	82 83 780	1	1980- CK With Two Keys	• Lock Cyl. Assy.	
9	84 86 409	1	1981- SN With Two Keys	• Lock Cyl. Assy.	
10	82 83 798	1	With Two Keys	Ignition Lock Cyl. Assy.	
11	82 62 586	1	1979 CK With Two Keys	Complete Lock Set	
11	82 85 710	1	1980 CK With Two Keys	Complete Lock Set	
11	92 27 927	1	1981- CK With Two Keys	Complete Lock Set	
11	92 28 008	1	1981-85 SN With Two Keys	Complete Lock Set	
11	92 31 002	1	1982- SN, For Central Lock, With Two Keys	Complete Lock	
Coded: Add Information					
Lock cylinders may be ordered to match original equipment locks. Use the part numbers listed below giving the key code as additional information. These cylinders are delivered without keys.					
12	84 51 916	1	1979-80 Coded	Door Lock Cyl. LH	
12	92 27 950	1	1981- Coded	Door Lock Cyl. LH	
13	84 51 924	1	1979-80 Coded	Door Lock Cyl. RH	
13	92 27 968	1	1981- Coded	Door Lock Cyl. RH	
14	84 61 394	1	1979 CK Coded	Trunk Lock Cyl.	
14	82 85 744	1	1980- CK Coded	Trunk Lock Cyl.	
15	82 89 852	1	1981-85 SN Coded.	Trunk Lock Cyl.	
15	92 31 010	1	1982- SN, For Central Lock Coded	Trunk Lock Cyl.	
16	93 29 483	1	Coded	Ignition Lock Cyl.	
17	02 90 361	X	Coded	Spare Key, Cut	
17	84 70 767	X	Original Style with Plastic Head	Key Blank, Uncut	
17	84 70 445	X	Dominion Lock for Exacta or Curtis Key Cutter	Key Blank, Uncut	



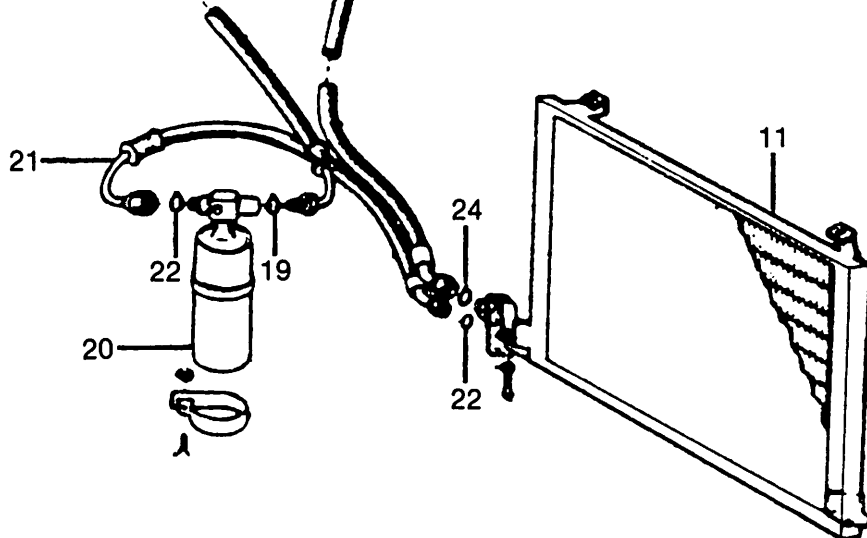
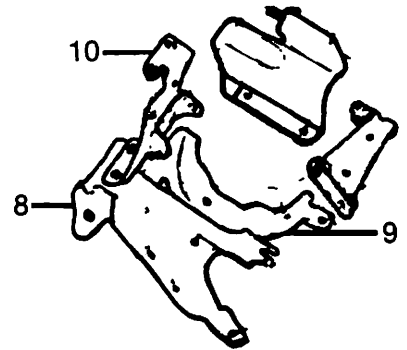
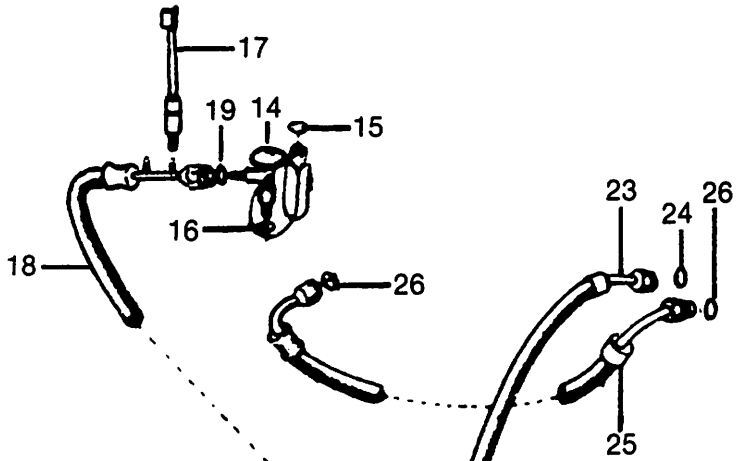
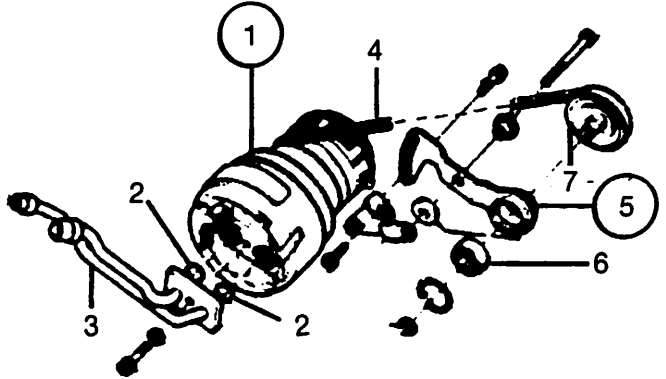
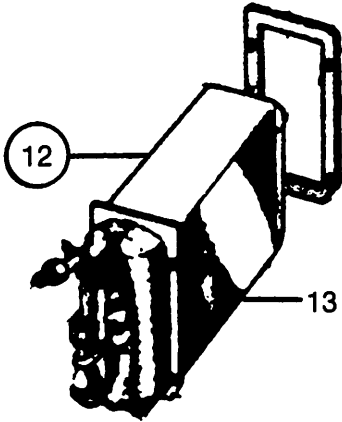
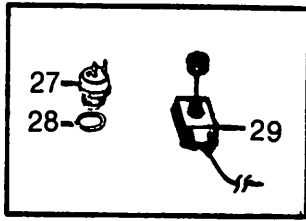
BODY				Group	Page
Dash Panel				8	18
Pos.	Part No.	Qty.	Notes	Description	
1	98 06 829	1	-1984	Dash Panel Assy.	
1	98 37 477	1	1985-.	Dash Panel Assy.	
2	94 85 574	1	• Glove Box Door	
3	82 62 602	1	• Glove Box Lock	
4	94 21 785	1	1979-80 See MS 153.	Instrument Plate Assy., Non-DIN	
4	94 88 859	1	1981-, -C1032069, -C2011608 See MS 193	Instrument Plate Assy., Non-DIN	
4	97 14 775	1	C1032070-, C2011609-.	Instrument Plate Assy., DIN	
5	94 11 711	1	1979-80 See MS 172.	• Instrument Plate , Non-DIN	
5	94 88 867	1	1981-, -C1032069, -C2011608 See MS 190	• Instrument Plate , Non-DIN	
5	97 14 825	1	C1032070-, C2011609-.	• Instrument Plate , DIN	
6	94 25 703	1	1979-, -C1032069, -C2011608	• Upholstery, Non-DIN	
6	97 14 791	1	C1032070-, C2011609-.	• Upholstery, DIN	
7	94 79 841	1	• Control Panel Assy.	
8	94 81 425	2 (94 79 858)	•• Control Knob	
9	79 36 008	2	•• Retaining Ring	
10	94 20 035	2	•• Spring	
11	94 20 043	2	•• Ball	
12	79 72 078	2	•• O-Ring	
13	80 29 951	1	1985-.	•• Washer	
14	94 25 844	1	•• Washer	
15	94 29 721	1	No. 1	• Guide Sleeve	
16	94 22 874	1	No. 2	• Guide Sleeve	
17	94 22 882	1	No. 3	• Guide Sleeve	
18	94 22 890	1	No. 4	• Guide Sleeve	
19	97 46 694	X	Control Knob Repair Kit	
20	94 22 858	1	No. 1	Screw	
21	94 34 606	1	No. 2	Screw	
22	94 34 614	1	No. 3	Screw	
23	94 34 622	1	No. 4	Screw	
24	94 25 679	1	"Unleaded Fuel Only".	Emblem	
25	94 22 031	1	-1984	Speaker Grill LH	
25	98 37 485	1	1985-.	Speaker Grill LH	
25	94 22 064	1	-1984	Speaker Grill RH	
25	98 37 493	1	1985-.	Speaker Grill RH	
26	94 22 056	4	• Clip	
27	94 61 047	2	• Clip	
28	94 25 828	1	Steering Column Cover	
29	94 23 658	1	Quick Screw	
30	94 01 357	1	Part of Instrument Plate	Air Vent Assy. LH	
31	94 18 476	1	Part of Instrument Plate	Air Vent Assy. Center	
32	94 01 381	1	Part of Dash Panel Assy.	Air Vent Assy. RH	
33	94 18 351	1	Not Part of Dash Panel Assy.. . . .	• Air Guide RH	



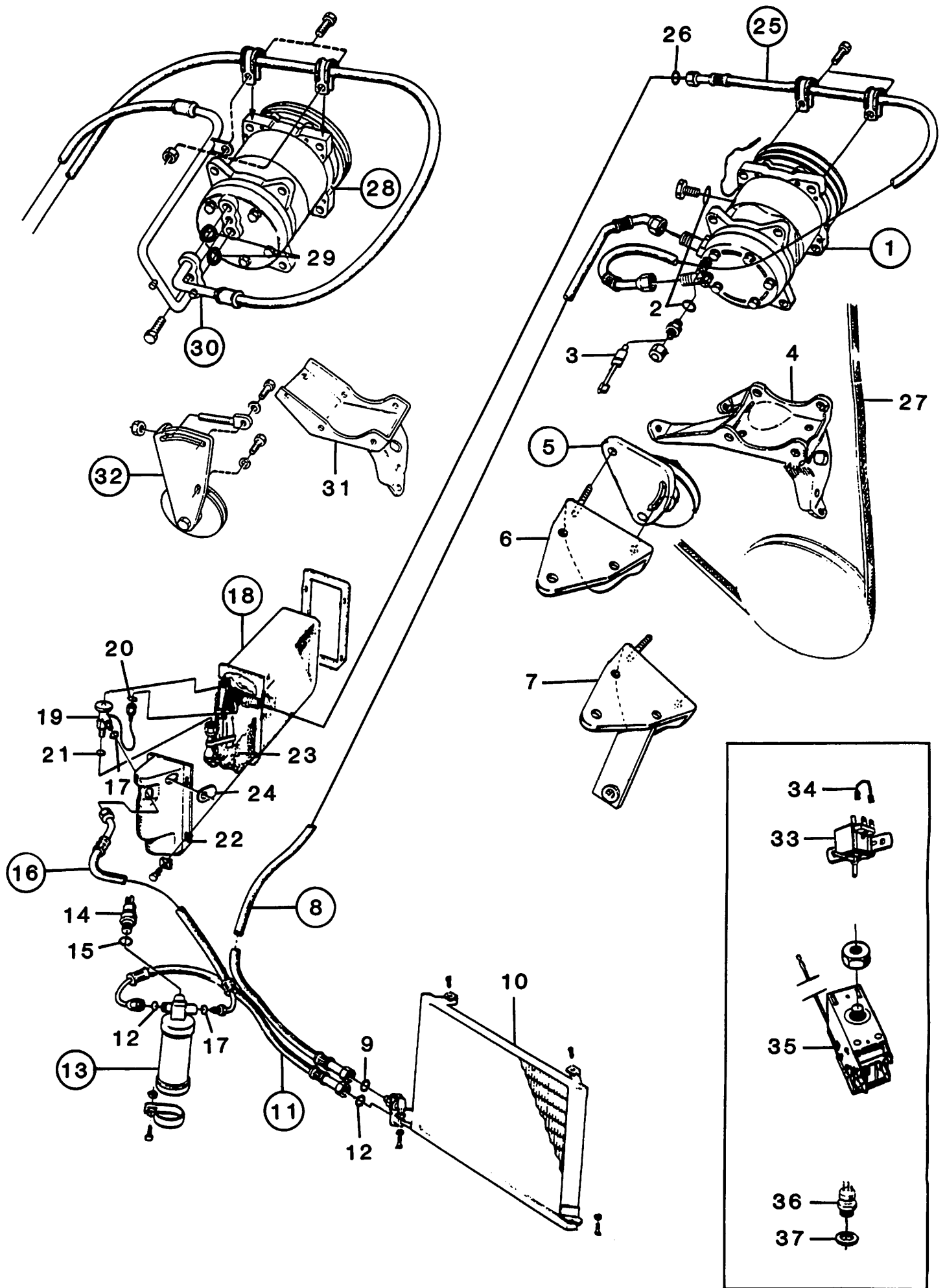
BODY				Group	Page
Heating and Ventilation				8	19
Pos.	Part No.	Qty.	Notes	Description	
1	94 79 981	1	1979-84 Without A/C	Air Filter Assy.	
2	94 81 920	1 (85 72 562)	Fan Unit	
3	85 69 030	1	Resistance	
3	95 58 784	1	For Extreme Cold Weather Use, See SI 4/86-839	Resistance	
4	97 46 322	1	Contains New Style Plastic Valve. For 1984-1985½ Cars See SI 1/87-915	Heater Valve Kit	
5	94 79 213	1	• O-Ring	
6	94 79 221	1	• O-Ring	
7	94 80 401	1	For Repair of Old Style Metal Valve	Shaft	
8	94 80 419	2	For Repair of Old Style Metal Valve	Rivet	
9	94 01 019	1	-90801025512, -90802007593, See MS 152	Heater Core	
9	94 81 722	1	90801025513-, 90802007594- (94 65 279)	Heater Core	
10	94 22 965	1	Control shaft	
11	94 80 641	1	-G2002125, -G3002532, -G7002882	Selector Assy.	
11	94 81 649	1	G2002126-, G3002533-, G7002883	Selector Assy.	
12	85 88 626	2	• Microswitch	
13	94 37 906	1	Vacuum Tank	
14	94 79 650	1	Defroster Tube	
15	93 05 004	1	1979-80 Cylinder Head to Heater Valve	Coolant Hose	
15	93 24 666	1	1981- B201 Cylinder Head to Heater Valve	Coolant Hose	
15	75 45 544	1	1985- B202 Cylinder Head to Heater Valve	Coolant Hose	
16	93 39 896	1	1979-80 Heater Valve to Pump (93 30 820)	Coolant Hose	
16	93 24 609	1	1981- B201 Heater Valve to Pump	Coolant Hose	
16	75 13 435	1	1985- B202 I Heater Valve to Pump	Coolant Hose	
16	75 41 527	1	1985- B202 Turbo Heater Valve to Pump	Coolant Hose	



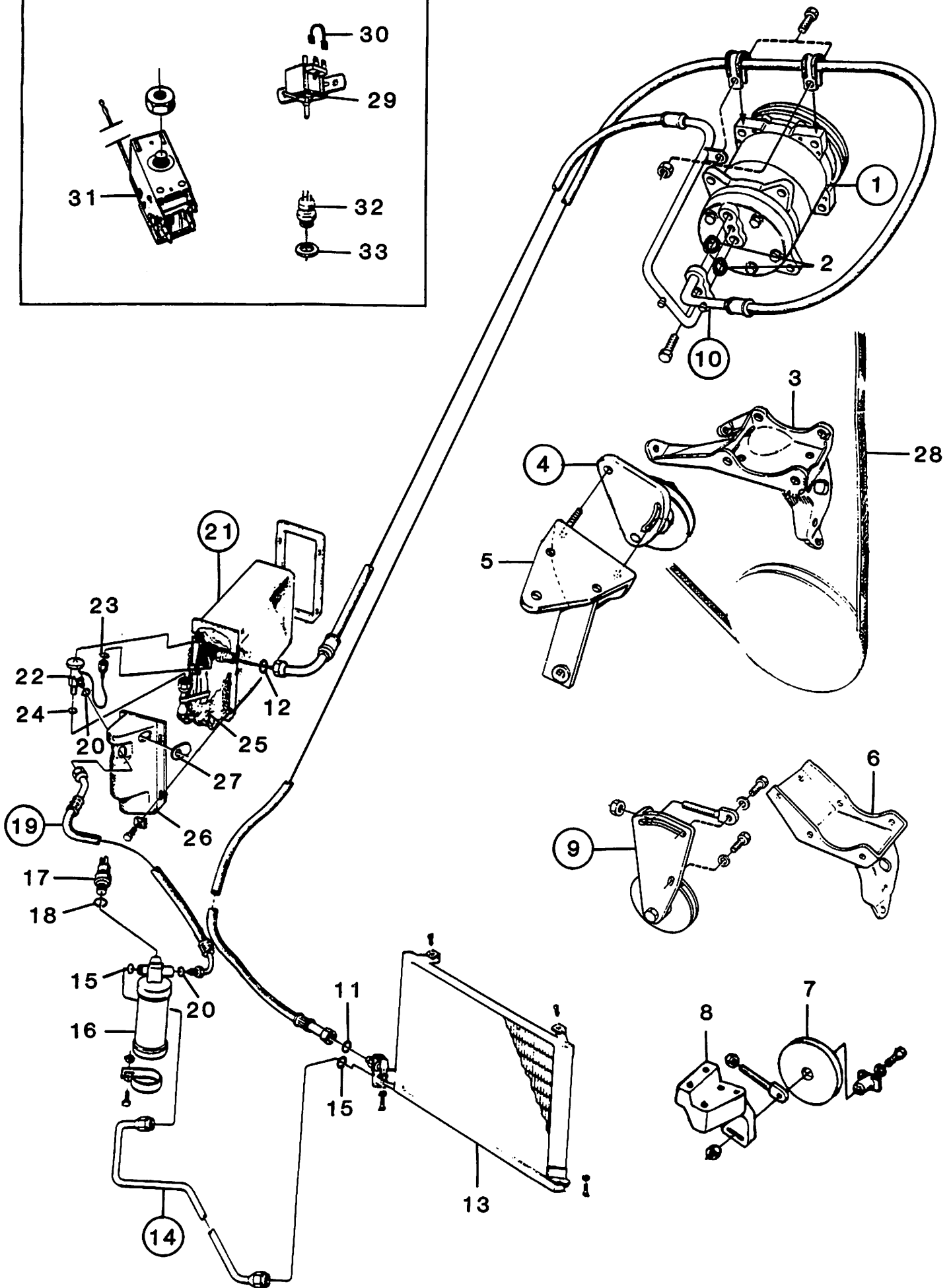
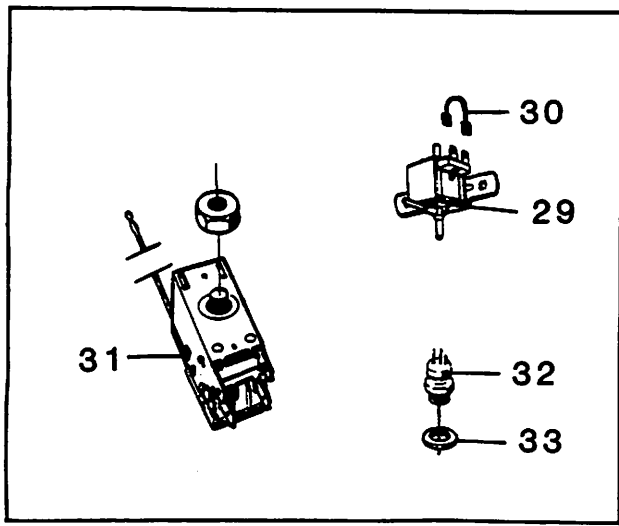
BODY				Group	Page
AC VIR Type -90801013494				8	20
Pos.	Part No.	Qty.	Notes	Description	
1	94 22 957	1	Marked 11 31 061 or 11 31 223	Compressor Assy.	
2	79 72 318	2		• O-Ring	
3	94 35 389	1		Connector Pipe	
4	93 16 183	1		Tension Arm Assy.	
5	93 17 215	1		• Bearing	
6	93 00 724	1		• Pulley	
7	93 16 126	1		Engine/Compressor Bracket	
8	93 16 118	1		Compressor Support	
9	93 16 076	1		Engine Brace	
10	94 01 951	1		Condensor	
11	94 01 902	1		Evaporator Assy.	
12	79 72 078	1		O-Ring	
13	79 72 094	1		O-Ring	
14	94 01 910	1		VIR Unit Assy.	
15	94 79 080	1		• O-Ring	
16	94 79 148	1		• O-Ring, Upper	
17	94 79 130	1		• O-Ring, Lower	
18	94 79 155	1		• Drier Kit	
19	94 01 977	1		VIR to Compressor	
20	79 72 102	2		Hose	
				• O-Ring	
21	94 02 017	1	Compressor to Condensor	Hose	
22	79 72 094	2		• O-Ring	
23	94 02 074	1	Condensor to VIR	Hose	
24	79 72 086	2		• O-Ring	
25	83 39 939	1		V-Belt	
26	85 52 796	1		Fuse	
27	95 52 878	1	Upper Radiator Hose	Coolant Thermostat	
28	83 30 268	1		Gasket	
29	85 15 280	1		Pressure Switch	
30	85 15 298	1		Pressure Switch, Fan Relay	
31	85 52 770	1	Evaporator	Thermostat	



BODY				Group	Page
AC Cycling Clutch 90801013495-, -1980				8	21
Pos.	Part No.	Qty.	Notes	Description	
1	94 61 880	1	Marked 11 31 331	Compressor Assy.	
2	79 72 318	2	• O-Ring	
3	94 51 840	1	Connector Pipe	
4	83 39 939	1	V-Belt	
5	93 16 183	1	Tensioner Assy.	
6	93 17 215	1	• Bearing	
7	93 00 724	1	• Pulley	
8	93 16 126	1	Engine/Compressor Bracket	
9	93 16 118	1	Compressor Support	
10	93 16 076	1	Engine Brace	
11	94 01 951	1	Condensor	
12	94 51 915	1	Evaporator/Valve Assy.	
13	94 51 923	1	• Evaporator	
14	94 51 899	1	• Expansion Valve	
15	79 72 078	1	• O-Ring	
16	79 72 094	1	• O-Ring	
17	85 15 298	1	Pressure Switch	
18	94 51 774	1	Receiver/Drier to Expansion Valve	Hose	
19	79 72 086	2	• O-Ring	
20	94 81 482	1 (94 51 881)	Receiver/Drier	
21	94 80 716	1	Condensor to Receiver/Drier	Hose	
22	79 72 086	2	• O-Ring	
23	94 02 017	1	Compressor to Condensor	Hose	
24	79 72 094	2	• O-Ring	
25	94 51 808	1	Evaporator to Compressor	Hose	
26	79 72 482	2	• O-Ring	
27	95 52 878	1	Upper Radiator Hose	Coolant Thermostat	
28	83 30 268	1	Gasket	
29	85 93 766	1	Evaporator	Antifrost Thermostat	

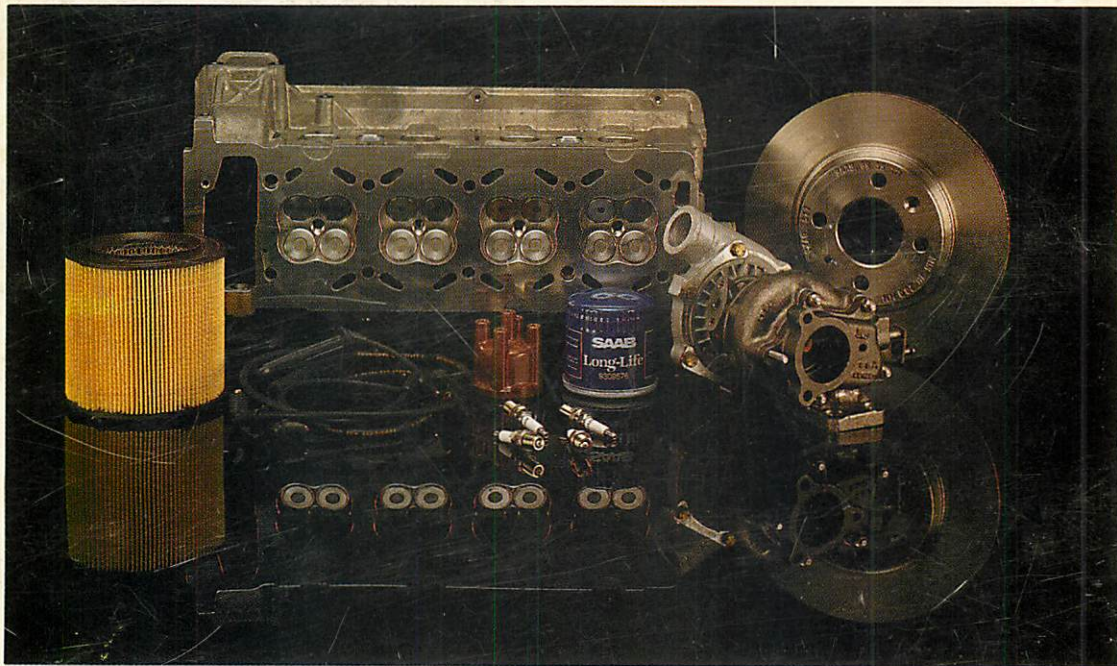


BODY				Group	Page
AC Sankyo 1981-85				8	22
Pos.	Part No.	Qty.	Notes	Description	
1	94 73 737	1	1981-83	Compressor Assy.	
1	94 80 526	1	B201 1984-, -F1025631, -F2013051, -F3009792	Compressor Assy.	
2	94 79 486	1	• O-Ring Kit	
3	85 15 298	1	1981-83	Pressure Switch	
4	93 31 562	1	Compressor Bracket	
5	93 44 797	1	1981-83	Idler Pulley Assy.	
5	93 69 109	1	1984-	Idler Pulley Assy.	
6	93 44 805	1	1981-83	Bracket	
7	75 43 002	1	1984-	Bracket	
8	94 81 227	1	Compressor to Condensor	Hose Assy.	
9	79 72 094	1	• O-Ring	
10	94 01 951	1	Condensor	
11	94 80 716	1	Condensor to Receiver/Drier	Hose Assy.	
12	79 72 086	2	• O-Ring	
13	94 81 482	1 (94 80 039)	Receiver/Drier Assy.	
14	94 80 005	1	• Low Pressure Switch	
15	94 73 851	1	• O-Ring	
16	94 80 740	1	Receiver/Drier to Evaporator.	Hose Assy.	
17	79 72 086	2	• O-Ring	
18	94 80 955	1	Evaporator with Expansion Valve Assy.	
19	94 80 914	1	• Expansion Valve	
20	79 72 078	1	• O-Ring	
21	79 72 094	1	• O-Ring	
22	94 81 185	1 (94 80 609)	• Cover	
23	94 01 944	1	• Insulation	
24	94 81 193	1 (94 80 831)	Grommet	
25	94 80 773	1	Evaporator to Compressor	Hose Assy.	
26	79 72 482	1	• O-Ring	
27	93 44 623	1	B201	V-Belt	
27	93 67 020	1	B202	V-Belt	
28	94 80 633	1	B201 F1025632-, F2013052-, F3009793-, -1985, B202	Compressor Assy.	
29	79 72 318	2	B201 F1025632-, F2013052-, F3009793-, -1985, B202	O-Ring	
30	94 81 250	1	B201 F1025632-, F2013052-, F3009793-, -1985, B202	Hose Assy. with O-Rings	
31	93 65 834	1	Compressor to Condensor and Evaporator to Compressor B202	Compressor Bracket	
32	75 42 228	1	B202	Idler Pulley Assy.	
33	85 91 117	1	1984-	Recirculation Solenoid	
34	02 06 011	1	See SI 02/84-671	Resistor	
35	85 93 766	1	Evaporator	Antifrost Thermostat	
36	95 52 878	1	Upper Radiator Hose	Coolant Thermostat	
37	83 30 268	1	Gasket	



BODY				Group	Page
AC Sanden 1986				8	23
Pos.	Part No.	Qty.	Notes	Description	
1	94 81 516	1	Sanden	Compressor Assy.	
1	94 81 979	1	Seiko-Seiki, Alternate to Sanden	Compressor Assy.	
2	79 72 318	2	O-Ring	
3	93 31 562	1	B201 -G2024751,-G3014891	Compressor Bracket	
4	93 69 109	1	B201 -G2024751,-G3014891	Idler Pulley Assy.	
5	75 43 002	1	B201 -G2024751,-G3014891	Bracket	
6	93 65 834	1	B201 G2024752-, G3014892-, B202	Compressor Bracket	
7	93 25 663	1	B201 G2024752-, G3014892-	Idler Pulley	
8	75 43 556	1	B201 G2024752-, G3014892-	Tension Arm	
9	75 42 228	1	B202	Idler Pulley Assy.	
10	94 81 532	1	Compressor to Condensor and Evaporator to Compressor	Hose Assy.	
11	79 72 094	1	• O-Ring	
12	79 72 482	1	• O-Ring	
13	94 01 951	1	Condensor	
14	94 81 466	1	Condensor to Receiver/Drier	Hose Assy.	
15	79 72 086	2	• O-Ring	
16	94 81 482	1	Receiver/Drier	
17	94 80 005	1	• Low Pressure Switch	
18	94 73 851	1	• O-Ring	
19	94 81 391	1	Receiver/Drier to Evaporator.	Hose Assy.	
20	79 72 086	2	• O-Ring	
21	94 80 955	1	Evaporator with Expansion Valve Assy.	
22	94 80 914	1	• Expansion Valve	
23	79 72 078	1	• O-Ring	
24	79 72 094	1	• O-Ring	
25	94 01 944	1	• Insulation	
26	94 81 185	1	• Cover	
27	94 81 193	1	Grommet	
28	93 44 623	1	B201 -G2024751,-G3014891	V-Belt	
28	93 67 020	1	B201 G2024752-, G3014892-, B202	V-Belt	
29	85 91 117	1	Recirculation Solenoid	
30	95 50 468	1	Resistor	
31	94 81 995	1	Evaporator	Antifrost Thermostat	
32	95 52 878	1	Upper Radiator Hose (85 72 331)	Coolant Thermostat	
33	83 30 268	1	Gasket	

Rely on Genuine Saab Parts



The genuine article. It can be a mood, a moment, a place. The timeless beauty of something well made and well maintained. When your Saab requires replacement parts, rely on genuine Saab parts. In fact, Insist on them. They reflect Saab's technological superiority. And they keep your car at optimal performance and comfort levels.

SAAB

Saab-Scania of America, Inc.



Saab Drive
P.O. Box 697
Orange, CT 06477

PN 02 88 688